

**SERIES:** CFM-80B | **DESCRIPTION:** DC AXIAL FAN**FEATURES**

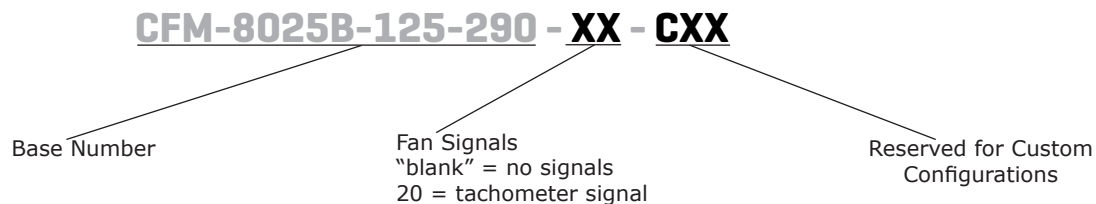
- dual ball bearing
- 80 x 80 mm frame
- multiple speed options
- tachometer signal available
- auto restart



MODEL	input voltage		input current <sup>1</sup>	input power <sup>1</sup>	rated speed <sup>1</sup>	airflow <sup>2</sup>	static pressure <sup>3</sup>	noise <sup>4</sup>
	rated (Vdc)	range (Vdc)	max (A)	max (W)	typ (RPM±10%)	(CFM)	(inch H <sub>2</sub> O)	typ (dBA)
CFM-8025B-125-290	12	10.8~13.2	0.12	1.44	2,500	30.92	0.09	29.0
CFM-8025B-130-330	12	10.8~13.2	0.21	2.52	3,000	37.11	0.13	33.0
CFM-8025B-135-364	12	10.8~13.2	0.33	3.96	3,500	43.28	0.17	36.4
CFM-8025B-225-290	24	21.6~26.4	0.08	1.92	2,500	30.92	0.09	29.0
CFM-8025B-230-330	24	21.6~26.4	0.11	2.64	3,000	37.11	0.13	33.0
CFM-8025B-235-364	24	21.6~26.4	0.15	3.60	3,500	43.28	0.17	36.4
CFM-8038B-130-387	12	10.8~13.2	0.21	2.52	3,000	37.06	0.21	38.7
CFM-8038B-140-449	12	10.8~13.2	0.38	4.56	4,000	49.42	0.37	45.0
CFM-8038B-150-498	12	10.8~13.2	0.57	6.84	5,000	61.77	0.58	49.8
CFM-8038B-230-387	24	21.6~26.4	0.15	3.60	3,000	37.06	0.21	38.7
CFM-8038B-240-449	24	21.6~26.4	0.21	5.04	4,000	49.42	0.37	45.0
CFM-8038B-250-498	24	21.6~26.4	0.45	10.80	5,000	61.77	0.58	49.8

Notes:

1. At rated voltage, after 3 minutes.
2. At rated voltage, room temperature, 65% humidity, 0 inch H<sub>2</sub>O static pressure.
3. At rated voltage, 0 CFM airflow.
4. Measured in an anechoic chamber as per ISO3745/GB4214-84 at rated voltage, with background noise 20±2 dBA at 1 m from the fan intake.
5. All specifications are measured at 25°C, 65% relative humidity unless otherwise specified.

**PART NUMBER KEY**

## INPUT

parameter	conditions/description	min	typ	max	units
operating input voltage <sup>6</sup>	12 Vdc input models	10.8	12	13.2	Vdc
	24 Vdc input models	21.6	24	26.4	Vdc
starting voltage	12 Vdc input models		7.0		Vdc
	24 Vdc input models		14.0		Vdc

Note: 6. See Model section on page 1 for specific input voltage ranges.

## PERFORMANCE<sup>7</sup>

parameter	conditions/description	min	typ	max	units
rated speed	at rated voltage, 25°C, after 3 minutes	2,500		5,000	RPM
air flow	at 0 inch H <sub>2</sub> O, see performance curves	30.92		61.77	CFM
static pressure	at 0 CFM, see performance curves	0.09		0.58	inch H <sub>2</sub> O
noise	at 1 m, rated speed	29.0		49.8	dB(A)

Note: 7. See Model section on page 1 for specific values.

## PROTECTIONS / FEATURES<sup>8</sup>

parameter	conditions/description	min	typ	max	units
auto restart	on all models				
polarity protection	on all models				
tachometer signal	available on "20" models				

Notes: 8. See Application Notes for details.

## SAFETY & COMPLIANCE

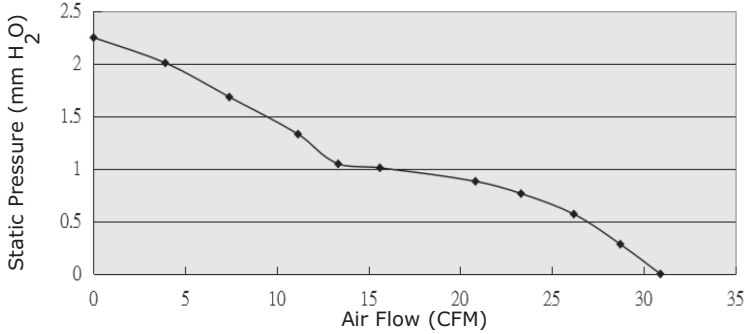
parameter	conditions/description	min	typ	max	units
insulation resistance	at 500 Vdc between frame and positive terminal	10			MΩ
dielectric strength	at 500 Vac, 60 Hz, 1 minute between housing and positive terminal			5	mA
safety approvals	UL/cUL 507, TUV (EN/IEC 62368-1:2020+A11)				
EMI/EMC	EN 55032:2015, EN 55035:2017				
life expectancy	at 40°C, 65% RH, 90% confidence level		70,000		hours
RoHS	yes				

## ENVIRONMENTAL

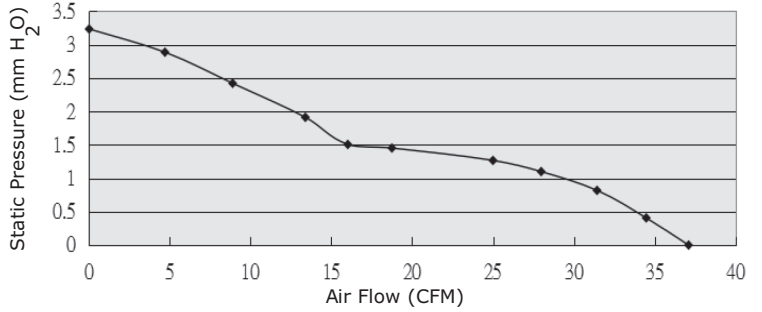
parameter	conditions/description	min	typ	max	units
operating temperature		-10		70	°C
storage temperature		-40		75	°C
operating humidity	non-condensing	35		85	%
storage humidity	non-condensing	35		85	%

## PERFORMANCE CURVES

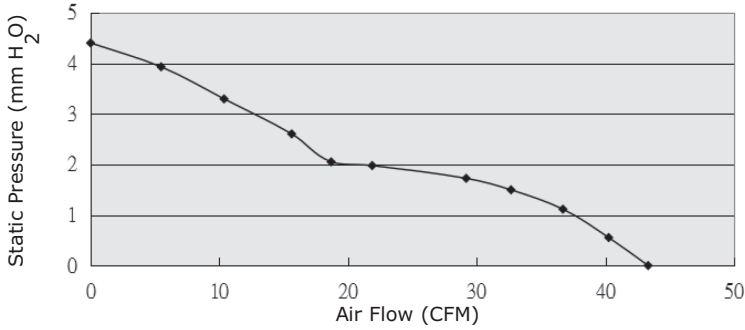
**CFM-8025B-125-290**



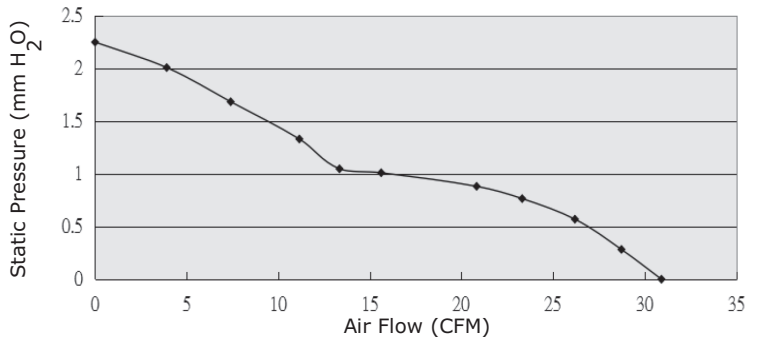
**CFM-8025B-130-330**



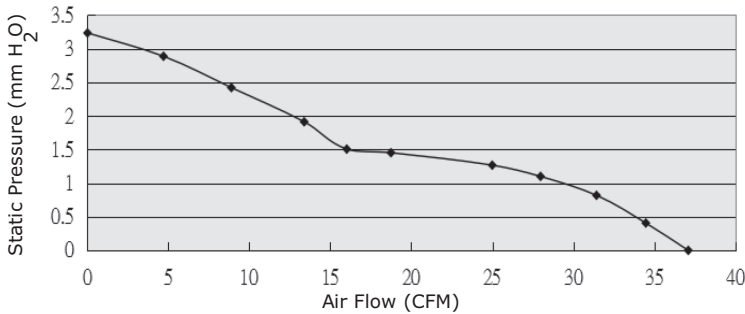
**CFM-8025B-135-364**



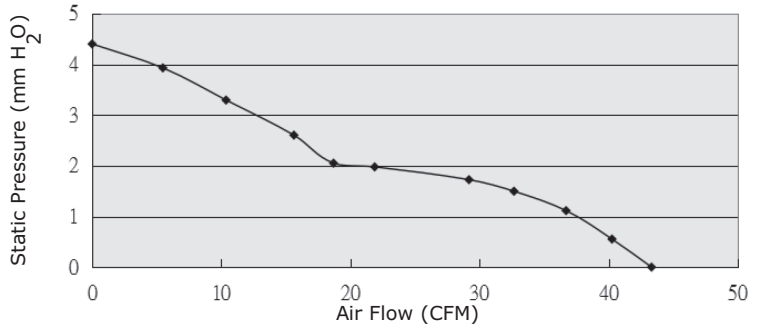
**CFM-8025B-225-290**



**CFM-8025B-230-330**

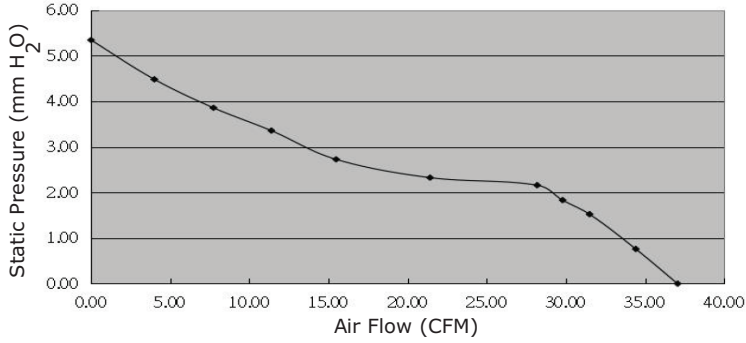


**CFM-8025B-235-364**

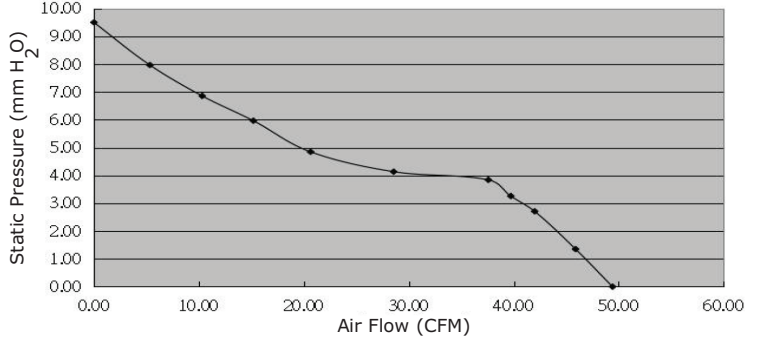


## PERFORMANCE CURVES (CONTINUED)

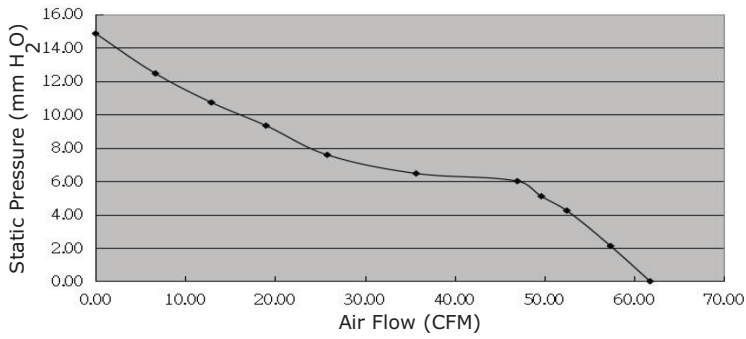
**CFM-8038B-130-387**



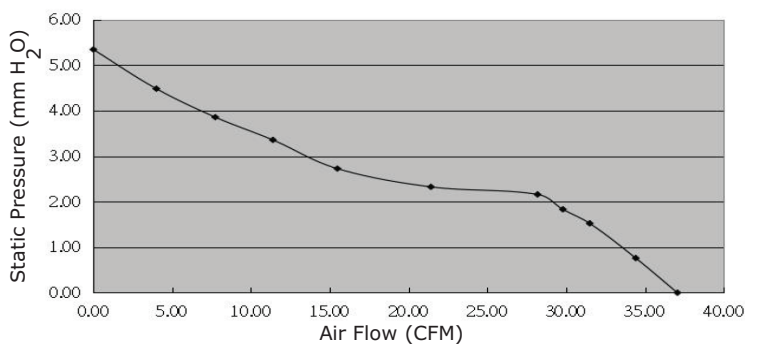
**CFM-8038B-140-449**



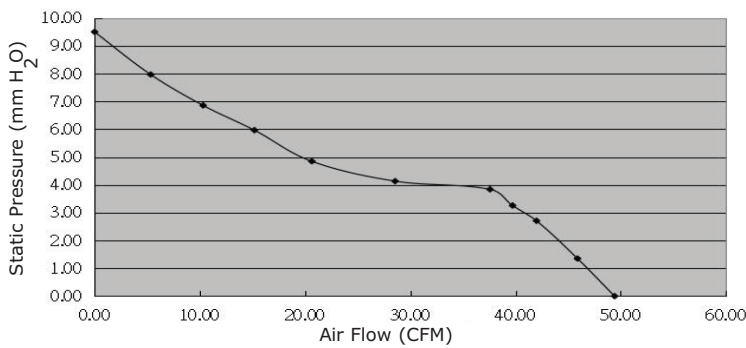
**CFM-8038B-150-498**



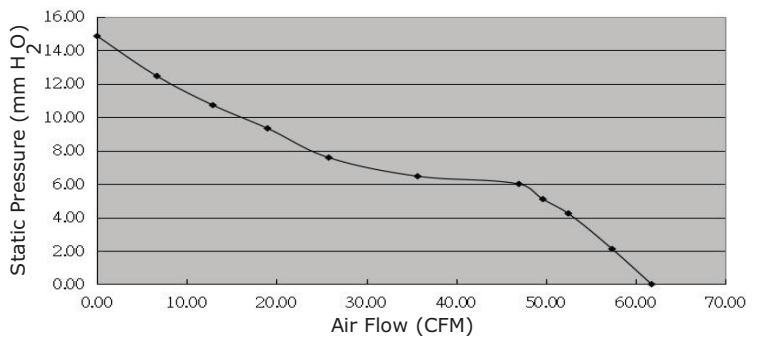
**CFM-8038B-230-387**



**CFM-8038B-240-449**



**CFM-8038B-250-498**



## MECHANICAL

parameter	conditions/description	min	typ	max	units
motor	4 pole DC brushless				
bearing system	dual ball bearing				
direction of rotation	counter-clockwise viewed from front of fan blade				
dimensions	CFM-8025B models: 80 x 80 x 25.0 CFM-8038B models: 80 x 80 x 37.6				mm mm
material	PBT (UL94V-0)				
weight	CFM-8025B models CFM-8038B models		82.3 180		g g

## MECHANICAL DRAWING

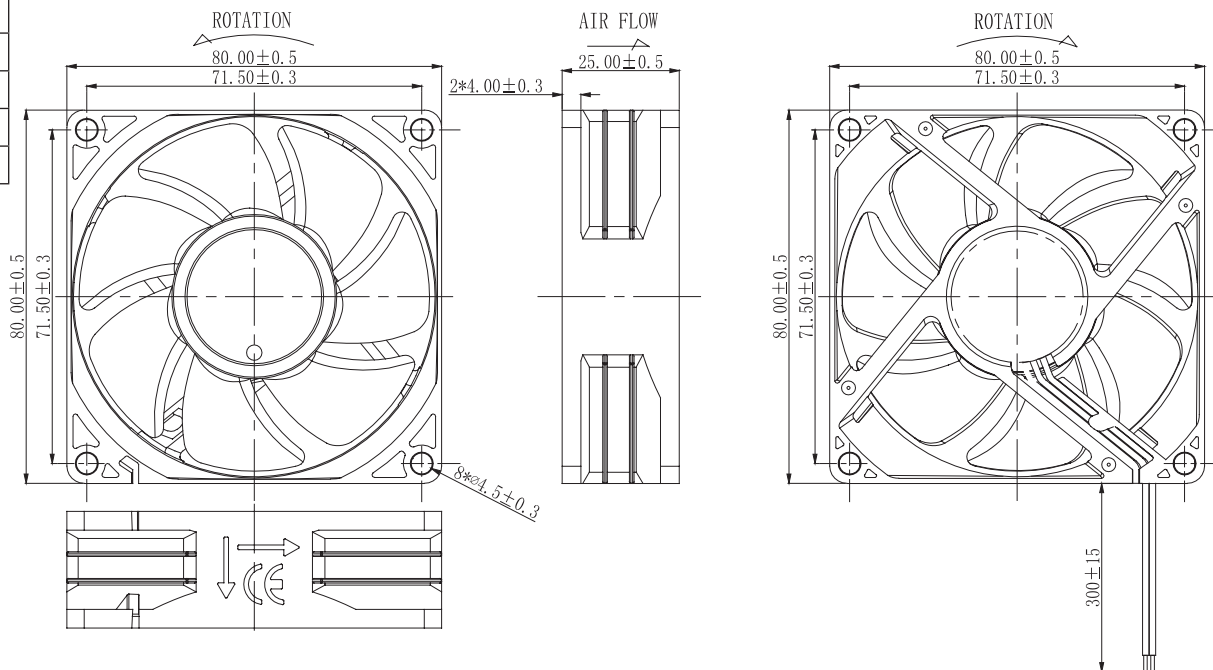
units: mm

wire: UL 1007, 24 AWG

MOUNTING SCREW (Pan Head)			
Screw Type	Size	Standard	Torque
Machine Screw	M4	JIS B1111-1974	4.5 kgf-cm
Self-tapping Screw	M5	JIS B1122 Type 2	5.5 kgf-cm

### CFM-8025B

WIRE CONNECTIONS	
Wire Color	Function
Red	+Vin
Black	-Vin
Yellow <sup>9</sup>	Tach Signal



Notes: 9. Wires only present on versions with output signals.

## MECHANICAL DRAWING (CONTINUED)

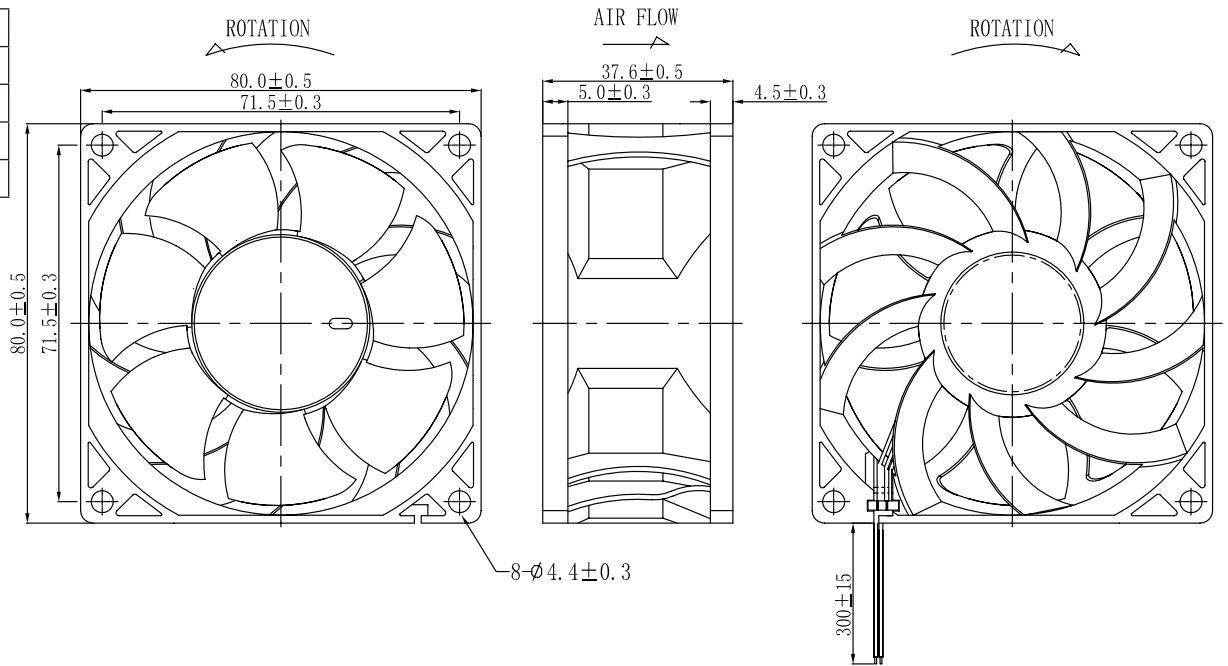
units: mm

wire: UL 1007, 24 AWG

MOUNTING SCREW (Pan Head)			
Screw Type	Size	Standard	Torque
Machine Screw	M4	JIS B1111-1974	4.5 kgf-cm
Self-tapping Screw	M5	JIS B1122 Type 2	5.5 kgf-cm

### CFM-8038B

WIRE CONNECTIONS	
Wire Color	Function
Red	+Vin
Black	-Vin
Yellow <sup>9</sup>	Tach Signal



Notes: 9. Wires only present on versions with output signals.

## APPLICATION NOTES

### Auto Restart Protection

When the fan motor is locked by an external force, the device will temporarily turn off electrical power to the motor and restart automatically when the locked rotor condition is released.

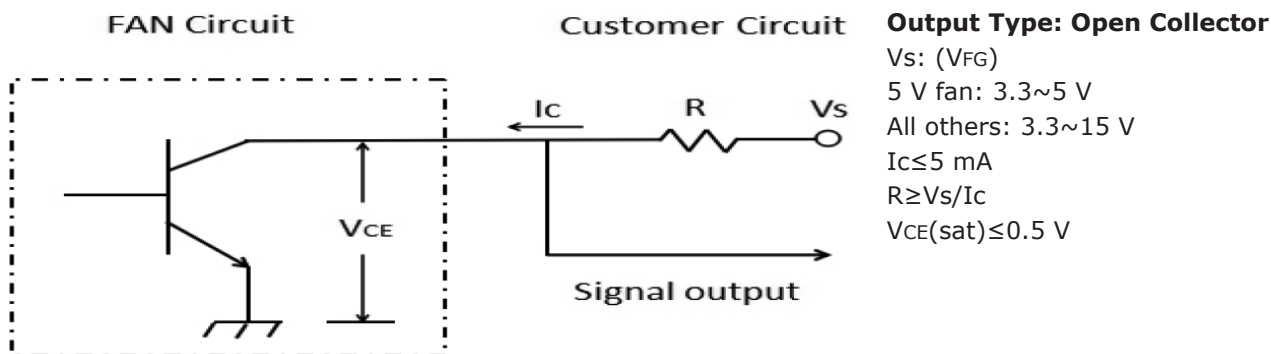
### Polarity Protection

Able to withstand 10 minutes of reverse polarity connection between the positive and negative wires without causing damage.

### Tachometer Signal (Yellow Wire)

The tachometer signal is for detecting the rotational speed of the fan motor. The output will be a square wave when fan is operating and  $V_{FG}$  or  $V_{CE}$  depending on the locked rotor position when fan motor is locked (See Figures 1~2 below).

**Figure 1: Tachometer Output Circuit**



**Figure 2: Tachometer Output Waveform**

