



## CFSA35606P/ CFSA35606P1

**Ultra-low Profile/Low PIM Ceiling Mount  
Antenna 350-520 MHz/600-960 MHz/  
1350-1550 MHz/1690-6000 MHz**

The CFSA35606P/CFSA35606P1 is a low PIM indoor wideband omnidirectional low-profile ceiling mount antenna. It is designed to provide pattern coverage that is optimized for indoor coverage requirements at 350-520, 600-960, 1350-1550, and 1690-6000 MHz for the UHF, 4G LTE, 2G/3G Cellular, UMTS/AWS-3, CBRS, and the Wi-Fi frequency bands. The CFSA35606P/CFSA35606P1 are applicable for environments where aesthetics and wide-angle coverage are necessary for successful wireless deployment. The surprisingly small size and extreme low profile enables maximum mounting flexibility while maintaining desired in-building aesthetics.

### FEATURES AND BENEFITS

- Ultra-low profile
- Public safety iDAS
- Optimized performance using Laird proprietary tools
- Aesthetically-neutral housing
- Supports AWS-3 frequency band
- Mounts directly and easily to ceiling tile  
(CFSA35606P1 is for hard ceiling mounting)

### APPLICATIONS

- FirstNet/Public Safety
- In-building DAS

### ELECTRICAL SPECIFICATIONS

| Operating Frequency (MHz)    | 350-380               | 380-520 | 600-698 | 698-806 | 806-894 | 894-960 | 1350-1550 | 1690-1880 | 1850-1990 | 1910-2180 | 2300-2700 | 3300-4200 | 4900-5925 |  |
|------------------------------|-----------------------|---------|---------|---------|---------|---------|-----------|-----------|-----------|-----------|-----------|-----------|-----------|--|
| Gain (dBi)                   | 4.5                   | 4.4     | 3.7     | 4.0     | 4.2     | 4.6     | 5.6       | 5.4       | 4.1       | 5.0       | 5.7       | 6.8       | 7.3       |  |
| VSWR- Avg.                   | 1.9                   | 1.7     | 1.7     | 1.5     | 1.3     | 1.5     | 1.3       | 1.4       | 1.4       | 1.4       | 1.5       | 1.4       | 1.7       |  |
| VSWR - Max                   | <2.5:1                |         | <2.0:1  |         |         |         |           |           |           |           |           |           |           |  |
| PIM - 2x20W (dBc)            | < -150                |         | < -150  |         |         |         |           | < -150    |           |           |           |           |           |  |
| Nominal Impedance (Ohms)     | < -156                |         |         | < -156  |         |         |           |           |           |           |           |           |           |  |
| Max Power - Ambient 25°C (W) | < -150                |         |         | < -150  |         |         |           |           |           |           |           |           |           |  |
| Polarization                 | 50                    |         |         |         |         |         |           |           |           |           |           |           |           |  |
| Azimuth Beamwidth            | 50                    |         |         |         |         |         |           |           |           |           |           |           |           |  |
| Polarization                 | Horizontal            |         |         |         |         |         |           |           |           |           |           |           |           |  |
| Azimuth 3 dB Beamwidth       | 360°, Omnidirectional |         |         |         |         |         |           |           |           |           |           |           |           |  |

## MECHANICAL SPECIFICATIONS

|  |                                  |
|--|----------------------------------|
| Dimensions - height x diameter - mm (inches) | 7.6 x 270 (0.30 x 10.6)          |
| Weight - kg (lbs.)                           | 0.46 (1.01)                      |
| Antenna Color                                | White                            |
| Radome Material                              | PC, UV Stable, UL 94-V0 Material |

## ENVIRONMENTAL SPECIFICATIONS

|                                 |                              |
|---------------------------------|------------------------------|
| Operating Temperature - °C (°F) | -30 to +70°C (-22 to +158°F) |
| Storage Temperature - °C (°F)   | -40 to +85°C (-40 to +185°F) |
| Material Substance Compliance   | RoHS                         |

## CONFIGURATION

| PART NUMBER        | CABLE LENGTH | CONNECTOR      | MOUNTING     |
|--------------------|--------------|----------------|--------------|
| CFSA35606P-30NF    | 30 cm (12")  | Type N- female | Ceiling Tile |
| CFSA35606P-30D43F  | 30 cm (12")  | 4.3-10 female  | Ceiling Tile |
| CFSA35606P1-30NF   | 30 cm (12")  | Type N- female | Hard Ceiling |
| CFSA35606P1-30D43F | 30 cm (12")  | 4.3-10 female  | Hard Ceiling |

## MECHANICAL DRAWING

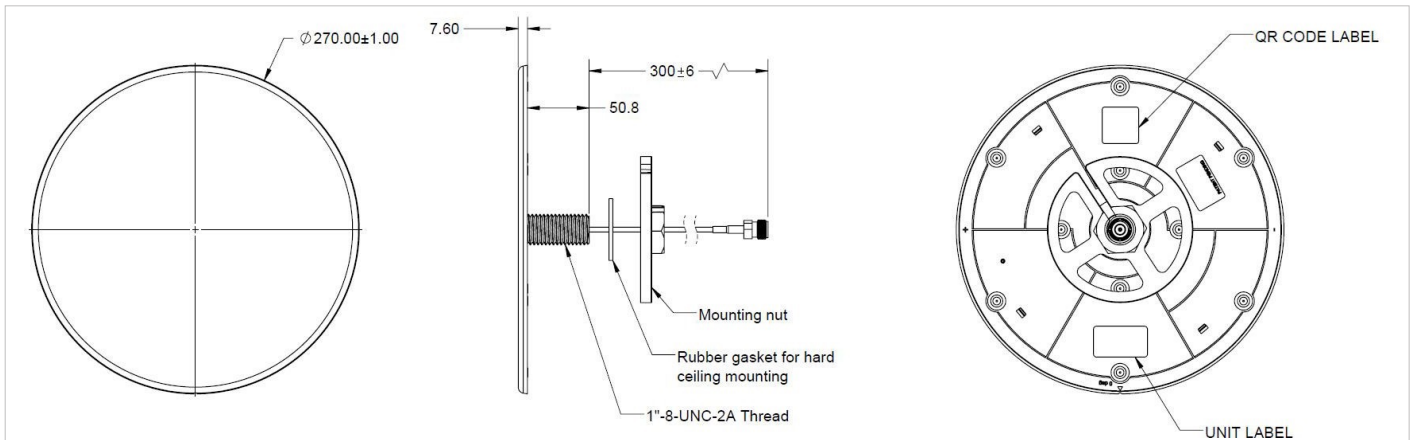


Figure 1: CFSA35606P Mechanical drawings

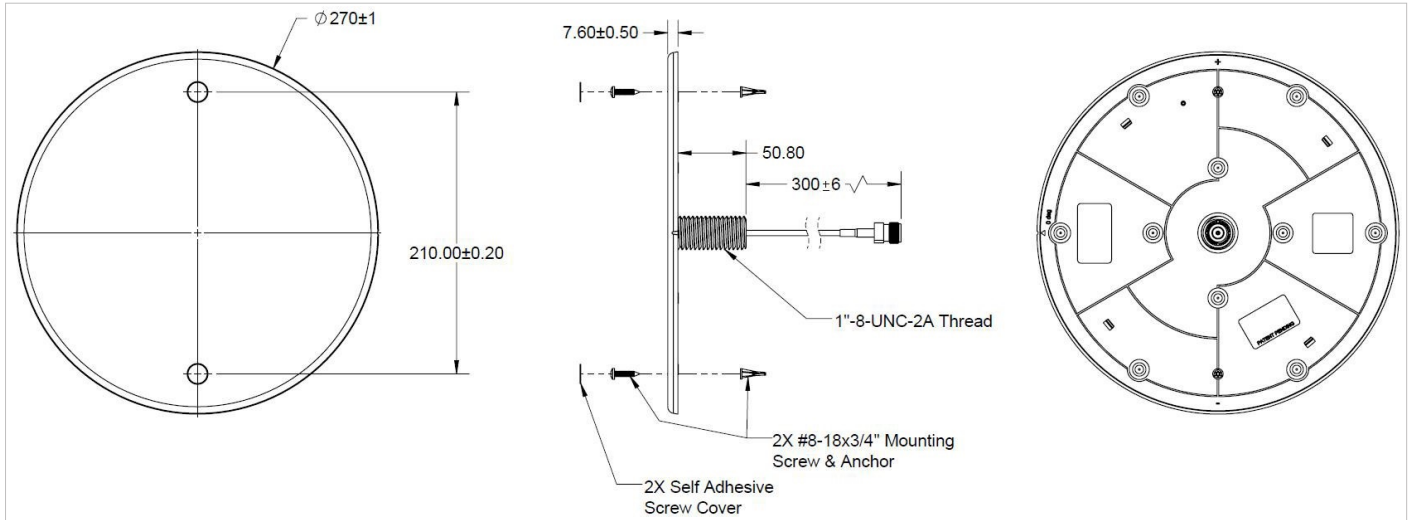
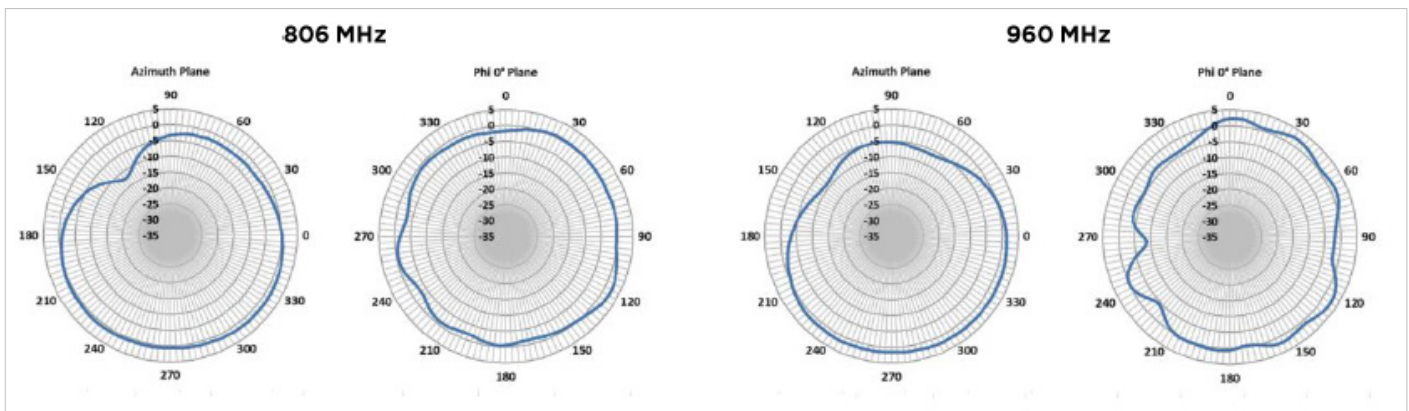
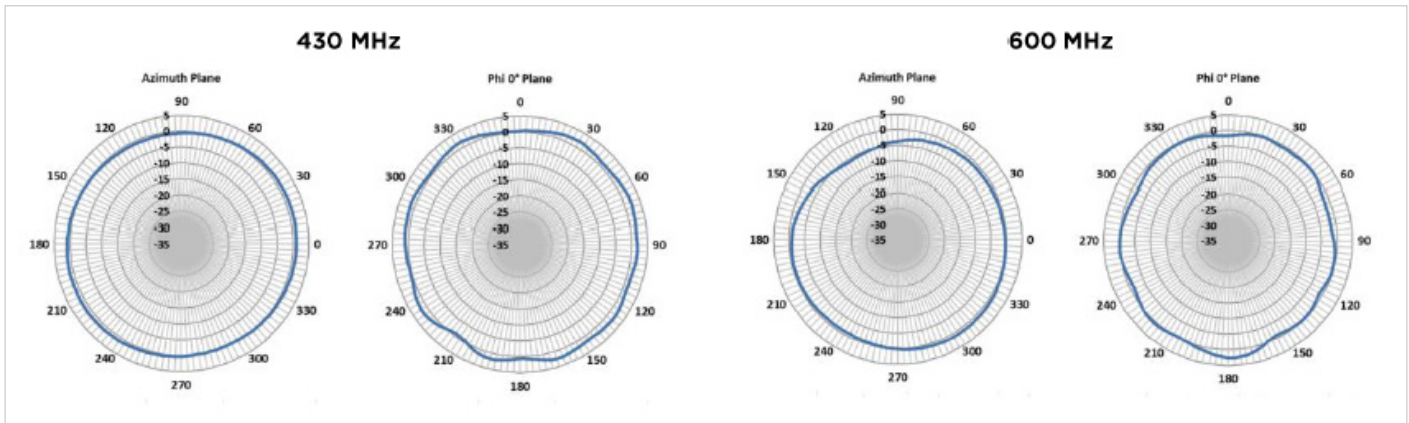
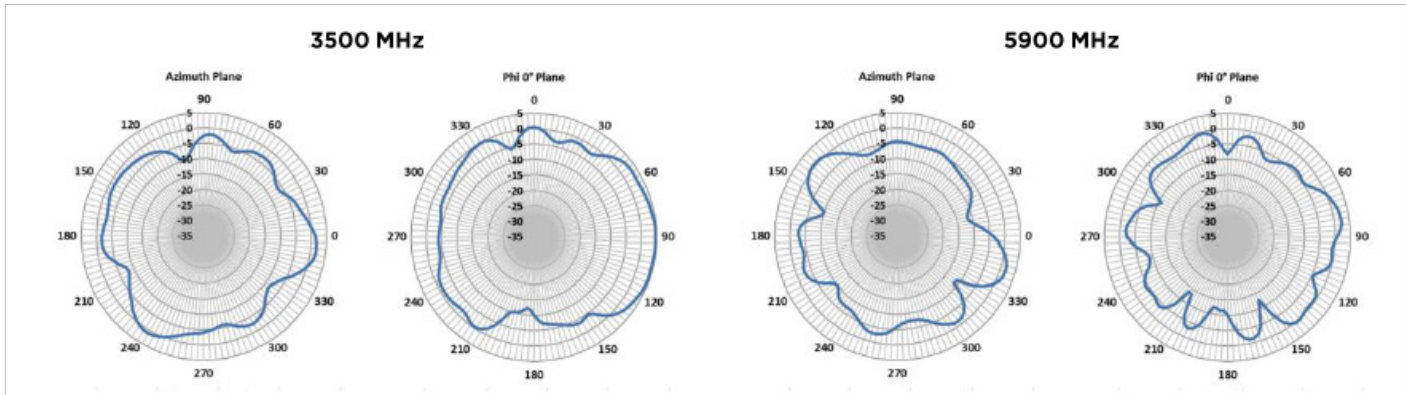
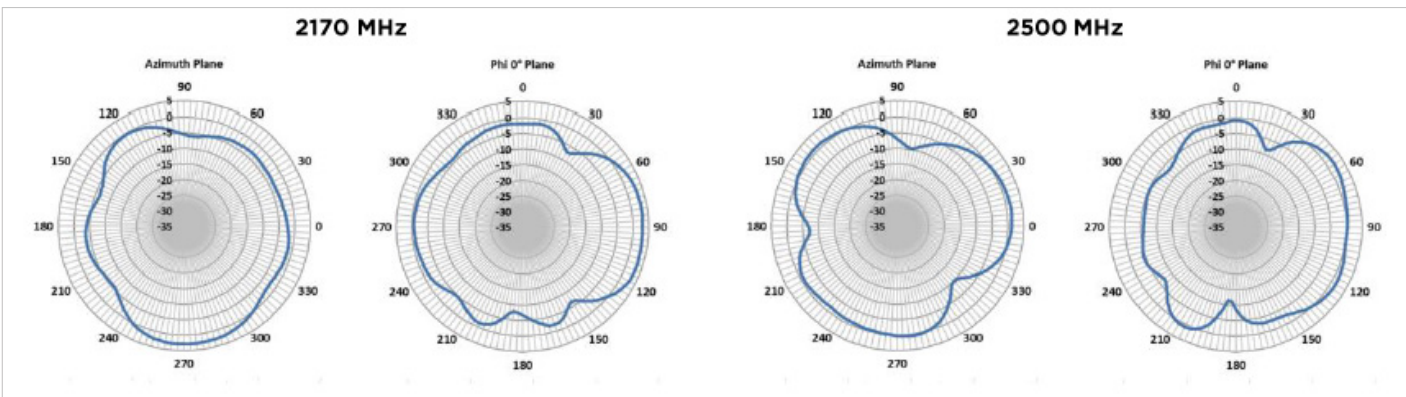
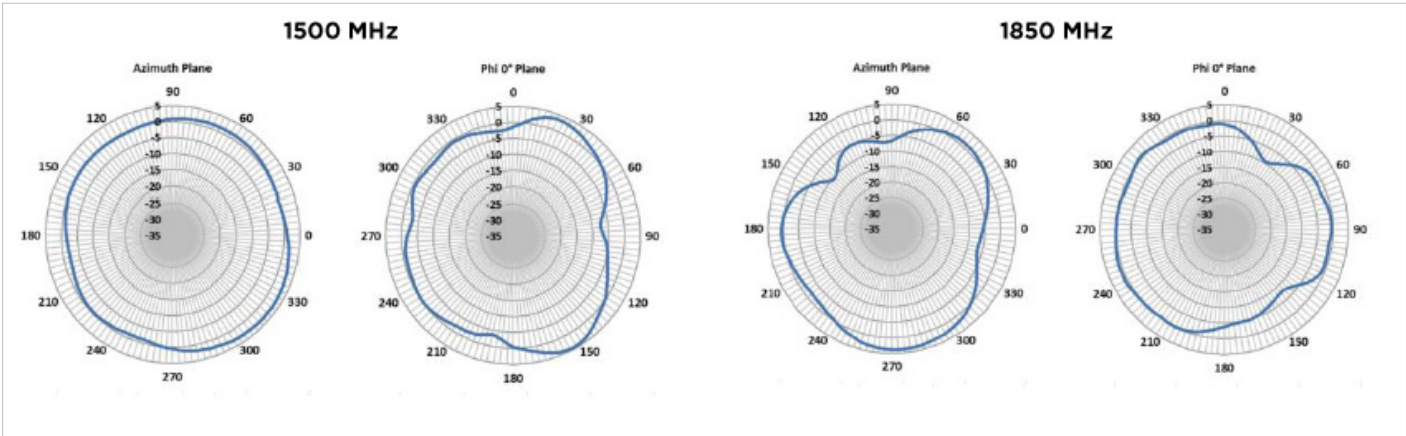


Figure 2: CFSA35606P1 Mechanical drawings

## RADIATION PATTERNS





*Note: Azimuth patterns represent 45° conic cuts.*