



## CFSA35606P/ CFSA35606P1

**Ultra-low Profile/Low PIM Ceiling Mount  
Antenna 350-520 MHz/600-960 MHz/  
1350-1550 MHz/1690-6000 MHz**

The CFSA35606P/CFSA35606P1 is a low PIM indoor wideband omnidirectional low-profile ceiling mount antenna. It is designed to provide pattern coverage that is optimized for indoor coverage requirements at 350-520, 600-960, 1350-1550, and 1690-6000 MHz for the UHF, 4G LTE, 2G/3G Cellular, UMTS/AWS-3, CBRS, and the Wi-Fi frequency bands. The CFSA35606P/CFSA35606P1 are applicable for environments where aesthetics and wide-angle coverage are necessary for successful wireless deployment. The surprisingly small size and extreme low profile enables maximum mounting flexibility while maintaining desired in-building aesthetics.

### FEATURES AND BENEFITS

- Ultra-low profile
- Public safety iDAS
- Optimized performance using Laird proprietary tools
- Aesthetically-neutral housing
- Supports AWS-3 frequency band
- Mounts directly and easily to ceiling tile  
(CFSA35606P1 is for hard ceiling mounting)

### APPLICATIONS

- FirstNet/Public Safety
- In-building DAS

### ELECTRICAL SPECIFICATIONS

Operating Frequency (MHz)	350-380	380-520	600-698	698-806	806-894	894-960	1350-1550	1690-1880	1850-1990	1910-2180	2300-2700	3300-4200	4900-5925	
Gain (dBi)	4.5	4.4	3.7	4.0	4.2	4.6	5.6	5.4	4.1	5.0	5.7	6.8	7.3	
VSWR- Avg.	1.9	1.7	1.7	1.5	1.3	1.5	1.3	1.4	1.4	1.4	1.5	1.4	1.7	
VSWR - Max	<2.5:1		<2.0:1											
PIM - 2x20W (dBc)	< -150		< -150				< -150							
Nominal Impedance (Ohms)	< -156			< -156										
Max Power - Ambient 25°C (W)	< -150			< -150										
Polarization	50													
Azimuth Beamwidth	50													
Polarization	Horizontal													
Azimuth 3 dB Beamwidth	360°, Omnidirectional													

## MECHANICAL SPECIFICATIONS

Dimensions - height x diameter - mm (inches)	7.6 x 270 (0.30 x 10.6)
Weight - kg (lbs.)	0.46 (1.01)
Antenna Color	White
Radome Material	PC, UV Stable, UL 94-V0 Material

## ENVIRONMENTAL SPECIFICATIONS

Operating Temperature - °C (°F)	-30 to +70°C (-22 to +158°F)
Storage Temperature - °C (°F)	-40 to +85°C (-40 to +185°F)
Material Substance Compliance	RoHS

## CONFIGURATION

PART NUMBER	CABLE LENGTH	CONNECTOR	MOUNTING
CFSA35606P-30NF	30 cm (12")	Type N- female	Ceiling Tile
CFSA35606P-30D43F	30 cm (12")	4.3-10 female	Ceiling Tile
CFSA35606P1-30NF	30 cm (12")	Type N- female	Hard Ceiling
CFSA35606P1-30D43F	30 cm (12")	4.3-10 female	Hard Ceiling

## MECHANICAL DRAWING

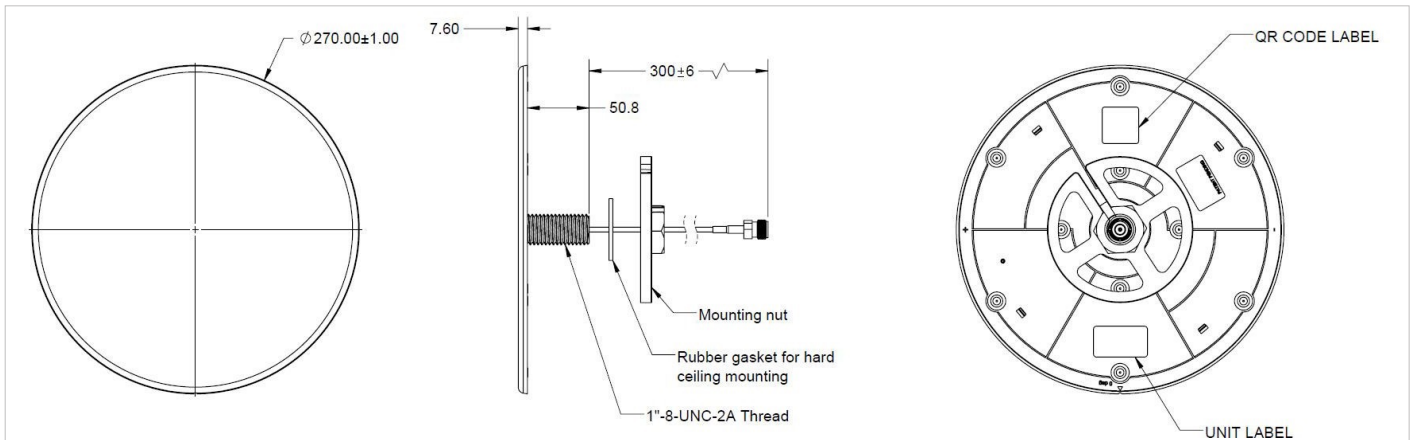


Figure 1: CFSA35606P Mechanical drawings

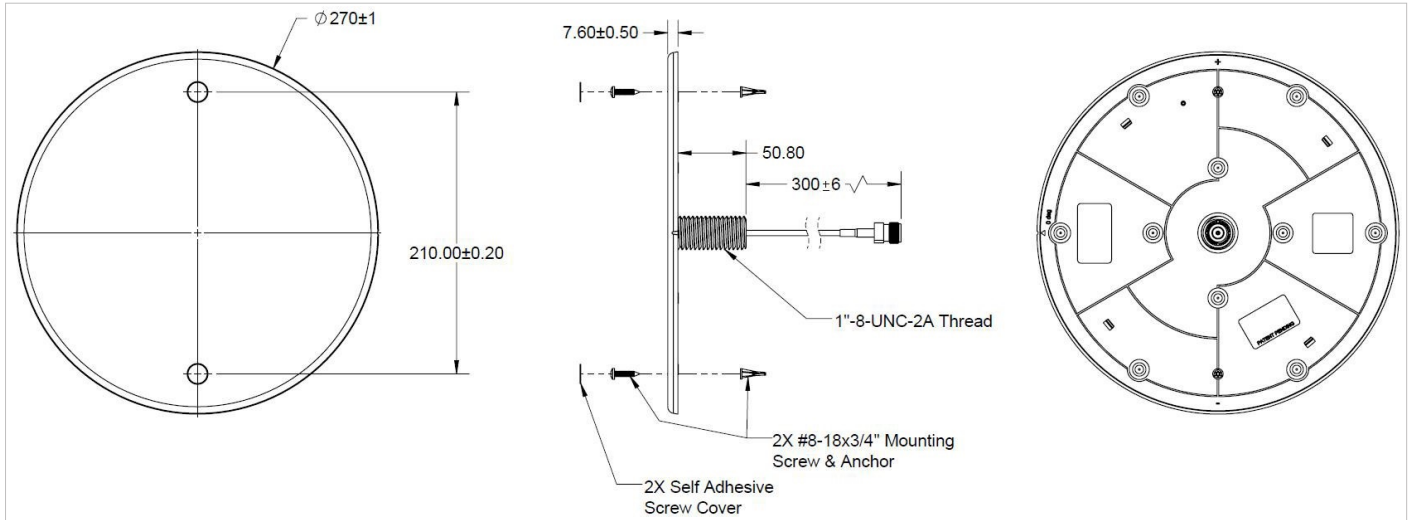
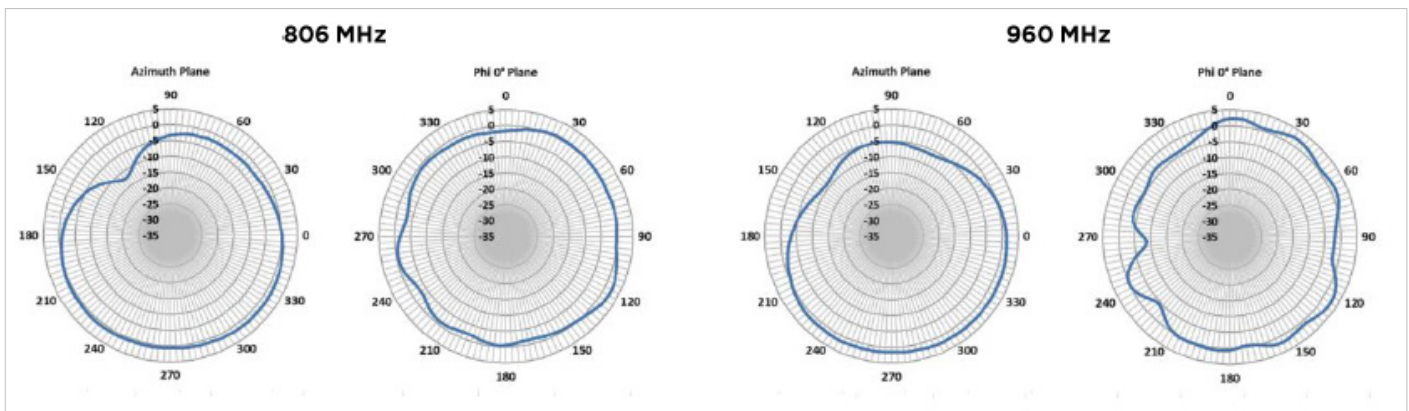
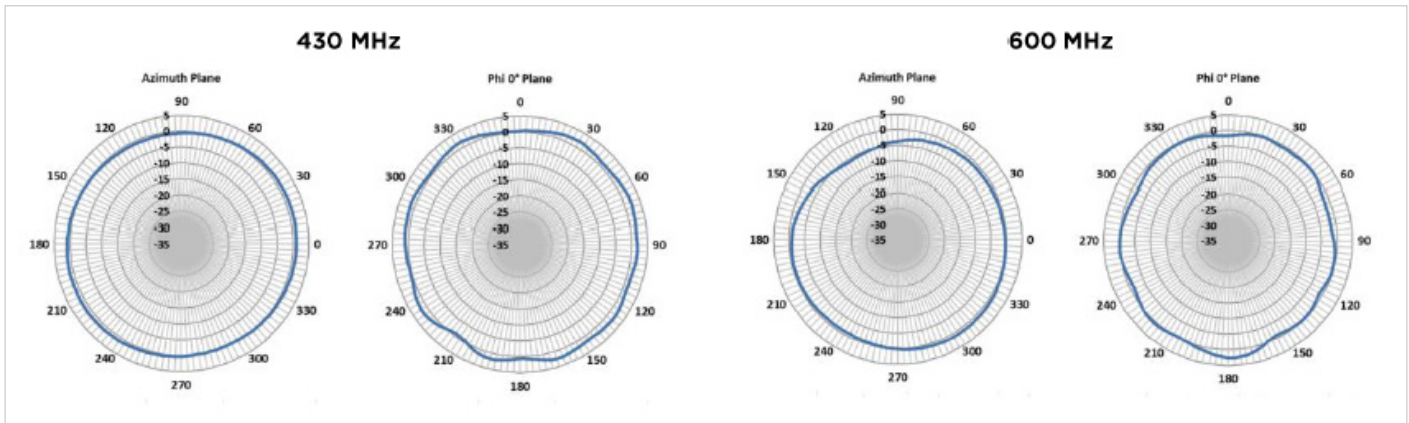
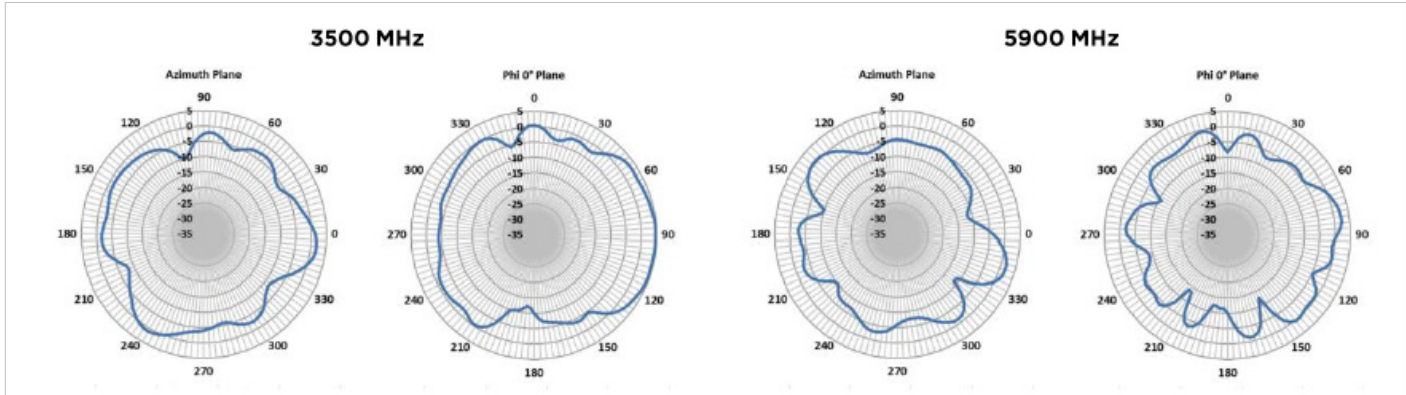
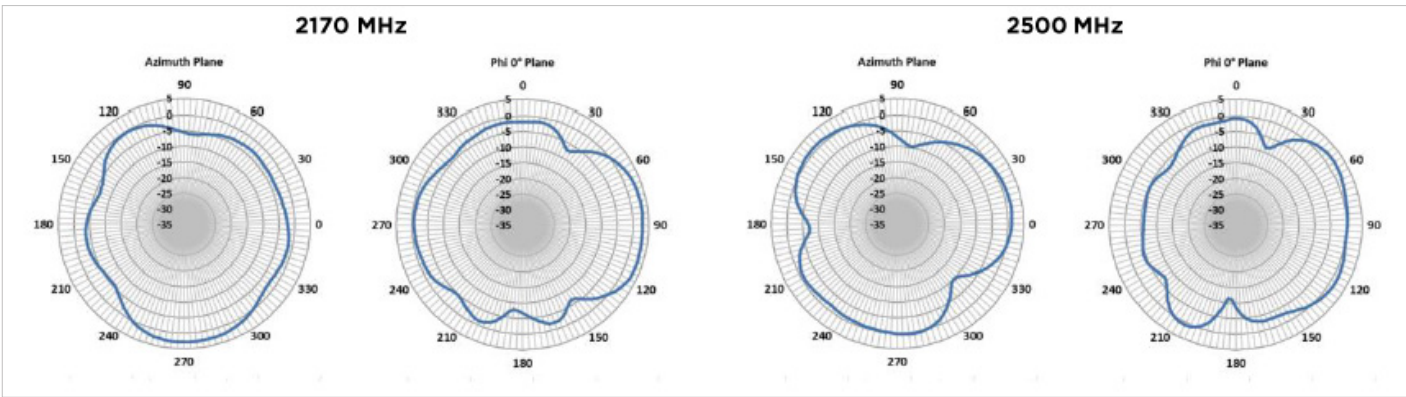
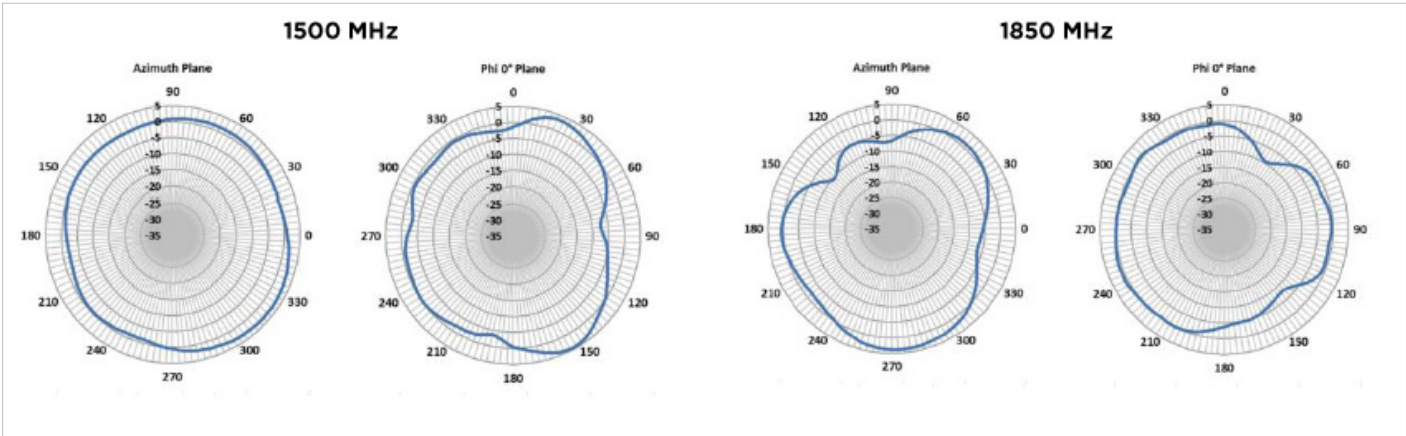


Figure 2: CFSA35606P1 Mechanical drawings

## RADIATION PATTERNS





*Note: Azimuth patterns represent 45° conic cuts.*