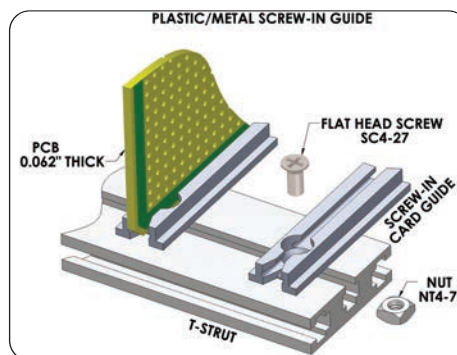
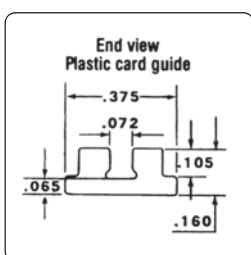
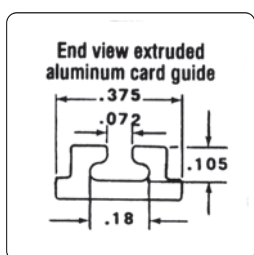
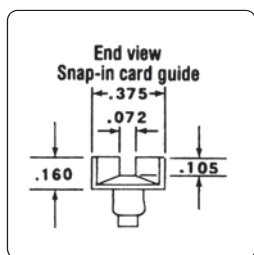
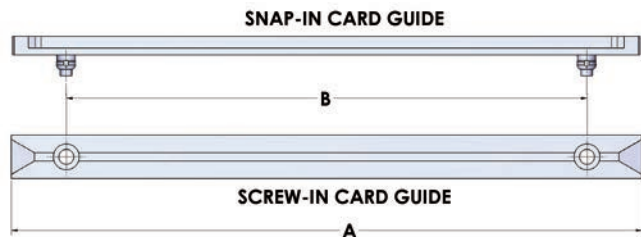
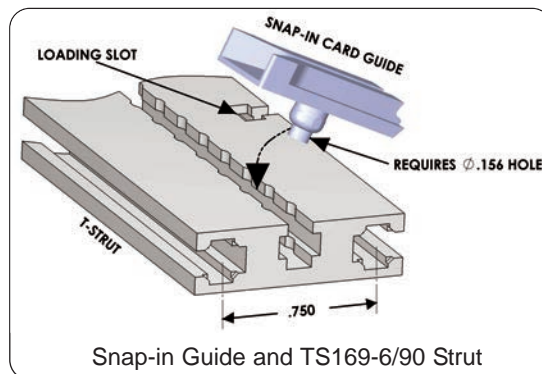


Card Guides

High quality card guides feature tapered slots for easy insertion. Snap-in nylon models provide easy installation and removal without tools, and can be positioned at 0.25" increments (64 0.156" holes on 0.250" centers) when used with Vector-Pak T-struts (TS169-6/90). Screw-mounted models (installation hardware included) are available in metal or plastic and provide variable positioning along entire length of strut. Holes for mounting guides to struts are based on center-to-center multiples of 0.75". All materials are flame retardant.



Metal or plastic screw down card guides attach with SC4-27/25 flat head screw and NT4-7PA square nut



Snap-in Guide and TS169-6/90 Strut

Part No.	Type	Length		Card Length	Application
		A	B		
CG2-45P	Plastic, Screw-in	2.89"	2.25"	4.50"	
CG2-45S	Nylon, Snap-in	3.17"	2.25"	4.50"	Subrack series 12,
CG2-50P	Plastic, Screw-in	4.39"	3.75"	5.00"	13, 14, 15, 16, 17,
CG2-65M	Metal, Screw-in	5.14"	4.50"	6.50"	18, 19, 20 & 100
CG2-65P	Plastic, Screw-in	5.42"	4.50"	6.50"	and Vector P series
CG2-65S	Nylon, Snap-in	5.42"	4.50"	6.50"	sidewalls
CG2-80P	Plastic, Screw-in	6.64"	6.00"	8.00"	
CG2-80S	Nylon, Snap-in	6.93"	6.00"	8.00"	Subrack series 14,
CG2-95M	Metal, Screw-in	8.14"	7.50"	9.50"	15, 16, 17, 18, 19,
CG2-95P	Plastic, Screw-in	8.14"	7.50"	9.50"	20 and 100 and
CG2-95S	Nylon, Snap-in	8.43"	7.50"	9.50"	Vector P series side-
CG2-132M	Metal, Screw-in	11.89"	11.25"	13.25"	walls ending in 119
CG2-132P	Plastic, Screw-in	11.89"	11.25"	13.25"	or 156
CG2-135M	Metal, Screw-in	13.19"	12.55"	Special length	Special Length
CG2-135P	Plastic, Screw-in	13.19"	12.55"	Special length	Special Length

Packages of 12 ea. Screw down types include installation hardware and are available in custom lengths on request.