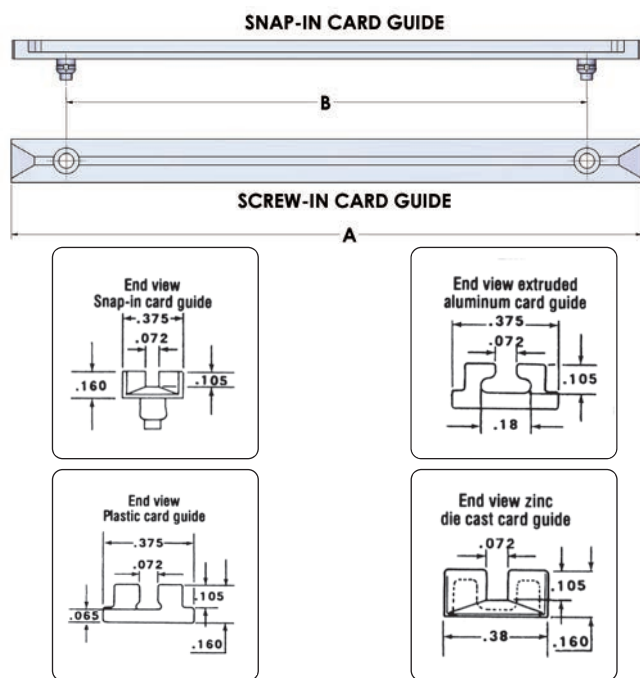
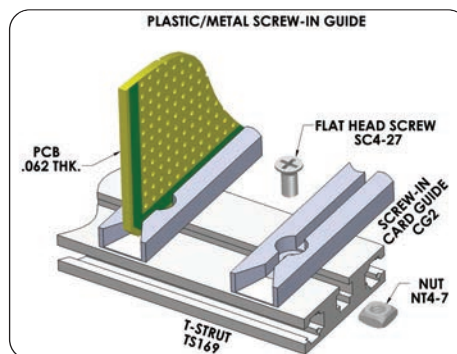


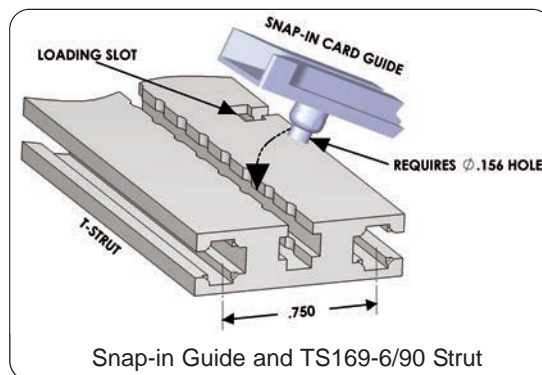
# Card Guides



High quality card guides feature tapered slots for easy insertion. Snap-in nylon models provide easy installation and removal without tools, and can be positioned at 0.25" increments (64 0.156" holes on 0.250" centers) when used with Vector-Pak T-struts (TS169-6/90). Screw-mounted models (installation hardware included) are available in metal or plastic and provide variable positioning along entire length of strut. Holes for mounting guides to struts are based on center-to-center multiples of 0.75". All materials are flame retardant.



Metal or plastic screw down card guides attach with SC4-27/25 flat head screw and NT4-7PA square nut



Snap-in Guide and TS169-6/90 Strut

| Part No. | Type                  | Length |        | Card Length | Application  |
|----------|-----------------------|--------|--------|-------------|--|
|          |                       | A      | B      |             |  |
| CG2-45P  | Plastic, Screw        | 2.89"  | 2.25"  | 4.50"       | Subrack series 12, 13, 14, 17, 18 & 100 and Vector P series sidewalls                    |
| CG2-45S  | Nylon, Snap-in        | 3.17"  | 2.25"  | 4.50"       |  |
| CG2-50P  | Plastic, Screw        | 4.39"  | 3.75"  | 5.00"       |  |
| CG2-65M  | Metal, Die Cast Screw | 5.42"  | 4.50"  | 6.50"       |  |
| CG2-65P  | Plastic, Screw        | 5.42"  | 4.50"  | 6.50"       | Subrack series 14, 15, 17, 18 and 100 and Vector P series sidewalls ending in 119 or 156 |
| CG2-65S  | Nylon, Snap-in        | 5.42"  | 4.50"  | 6.50"       |  |
| CG2-80P  | Plastic, Screw        | 6.64"  | 6.00"  | 8.00"       |  |
| CG2-80S  | Nylon, Snap-in        | 6.93"  | 6.00"  | 8.00"       |  |
| CG2-95M  | Metal, Screw          | 8.14"  | 7.50"  | 9.50"       | CCA19  |
| CG2-95P  | Plastic, Screw        | 8.14"  | 7.50"  | 9.50"       |  |
| CG2-95S  | Nylon, Snap-in        | 8.43"  | 7.50"  | 9.50"       |  |
| CG2-135M | Metal, Screw          | 13.19" | 12.55" | 13.50"      |  |
| CG2-135P | Plastic, Screw        | 13.19" | 12.55" | 13.50"      |  |

Packages of 12 ea. Screw down types include installation hardware and are available in custom lengths on request.

