

L, S-band High Power SPDT RF Switch

DESCRIPTION

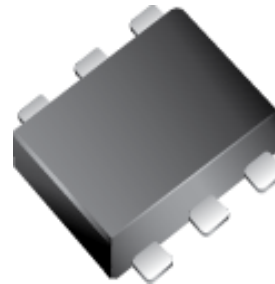
- The CG2415M6 is a pHEMT GaAs MMIC high power SPDT (Single Pole Double Throw) switch which was developed for dual-band wireless LAN.

FEATURES

- Control voltage :
VC(H) = 1.8 to 5.3 V (3.0 V TYP.)
VC(L) = -0.2 to 0.2 V (0 V TYP.)
- Low insertion loss :
L_{ins1} = 0.30 dB TYP. @ f = 0.5 to 2.0 GHz
L_{ins2} = 0.35 dB TYP. @ f = 2.0 to 2.5 GHz
L_{ins3} = 0.40 dB TYP. @ f = 2.5 to 3.8 GHz
L_{ins4} = 0.45 dB TYP. @ f = 3.8 to 6.0 GHz
- High isolation :
ISL1 = 32 dB TYP. @ f = 0.5 to 2.0 GHz
ISL2 = 32 dB TYP. @ f = 2.0 to 2.5 GHz
ISL3 = 32 dB TYP. @ f = 2.5 to 3.8 GHz
ISL4 = 26 dB TYP. @ f = 3.8 to 6.0 GHz
- Power handling :
P_{in(0.5dB)} = +34 dBm TYP
VC(H) = 3.0 V, VC(L) = 0 V

PACKAGE

- 6-pin lead-less mini mold package (1.5mm x 1.1mm x 0.55mm)



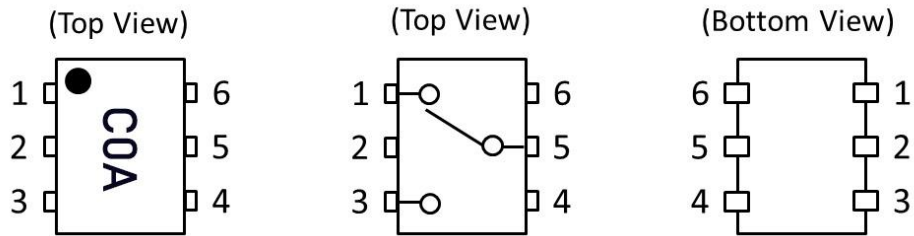
APPLICATIONS

- Dual-band wireless LAN (IEEE 802.11 a/b/g/n/ac)

ORDERING INFORMATION

Part Number	Order Number	Package	Marking	Description
CG2415M6	CG2415M6-C2	6-pin lead-less mini mold package (Pb-Free)	C0A	<ul style="list-style-type: none"> Embossed tape 8 mm wide Pin 1, 6 face the perforation side of the tape MOQ 9 kpcs/reel
CG2415M6-EVAL	CG2415M6-EVAL			<ul style="list-style-type: none"> Evaluation Board with DC block capacitors, power supply bypass capacitors, and RF and DC connectors MOQ 1

PIN CONFIGURATION AND INTERNAL BLOCK DIAGRAM



Pin No.	Pin Name
1	RF1
2	GND
3	RF2
4	VC2
5	RFC
6	VC1

TRUTH TABLE

VC1	VC2	RFC-RF1	RFC-RF2
High	Low	ON	OFF
Low	High	OFF	ON

ABSOLUTE MAXIMUM RATINGS

(TA = +25°C, unless otherwise specified)

Parameter	Symbol	Rating	Unit
Control Voltage	VC	6.0 ^{Note 1}	V
Input Power	P _{in}	+34.5 ^{Note 2}	dBm
Operating Ambient Temperature	T _A	-45 ~ +85	°C
Storage Temperature	T _{stg}	-55 ~ +150	°C

- Note**
1. |VC1 - VC2| ≤ 6.0 V
 2. 3.0V ≤ |VC1 - VC2| ≤ 5.0V

RECOMMENDED OPERATING RANGE

(TA = +25°C, unless otherwise specified)

Parameter	Symbol	MIN.	TYP.	MAX.	Unit
Operating Frequency	f	0.5	-	6.0	GHz
Switch Control Voltage (H)	VC(H)	+1.8	+3.0	+5.3	V
Switch Control Voltage (L)	VC(L)	-0.2	0	+0.2	V

ELECTRICAL CHARACTERISTICS 1

(TA = +25°C, VC(H) = 3.0 V, VC(L) = 0 V, Zo = 50 Ω, DC Block Capacitance = 8 pF, unless otherwise specified)

Parameter	Symbol	Condition	MIN.	TYP.	MAX.	Unit
Insertion Loss	L _{INS1}	f=0.5 to 2.0 GHz Note 1	-	0.30	0.50	dB
	L _{INS2}	f=2.0 to 2.5 GHz	-	0.35	0.55	dB
	L _{INS3}	f=2.5 to 3.8.0GHz	-	0.40	0.60	dB
	L _{INS4}	f=3.8 to 6.0GHz	-	0.45	0.70	dB
Isolation	ISL1	f=0.5 to 2.0 GHz Note 1	29	32	-	dB
	ISL2	f=2.0 to 2.5 GHz	29	32	-	dB
	ISL3	f=2.5 to 3.8.0GHz	29	32	-	dB
	ISL4	f=3.8 to 6.0GHz	23	26	-	dB
Return Loss	RL1	f=0.5 to 2.0GHz Note 1	15	20	-	dB
	RL2	f=2.0 to 2.5GHz	15	20	-	dB
	RL3	f=2.5 to 6.0GHz	10	15	-	dB
0.1dB Loss Compression Input Power Note 2	P _{in(0.1dB)}	f=0.5 to 2.0GHz Note1	-	+32	-	dBm
		f=2.0 to 6.0GHz	-	+31	-	dBm
		f=0.5 to 6.0GHz Note1 VC(H)=5.0V	-	+35	-	dBm
0.5dB Loss Compression Input Power Note 3	P _{in(0.5dB)}	f=0.5 to 2.0GHz Note1	-	+34	-	dBm
		f=2.0 to 6.0GHz	-	+34	-	dBm
2nd Harmonics	2f ₀	f=2.5GHz, P _{in} =+20dBm	-	-90	-	dBc
		f=6.0GHz, P _{in} =+20dBm	-	-90	-	dBc
3rd Harmonics	3f ₀	f=2.5GHz, P _{in} =+20dBm	-	-90	-	dBc
		f=6.0GHz, P _{in} =+20dBm	-	-90	-	dBc
3rd Order Input Intercept Point	IIP ₃	f=2.5GHz, 2-tone 1MHz Spacing	-	60	-	dBm

Note 1. DC block capacitance = 56 pF at f = 0.5 to 2.0 GHz

2. P_{in(0.1dB)} is the measured input power level when the insertion loss increases 0.1dB more than that of the linear range.

3. P_{in(0.5dB)} is the measured input power level when the insertion loss increases 0.5dB more than that of the linear range

ELECTRICAL CHARACTERISTICS 2

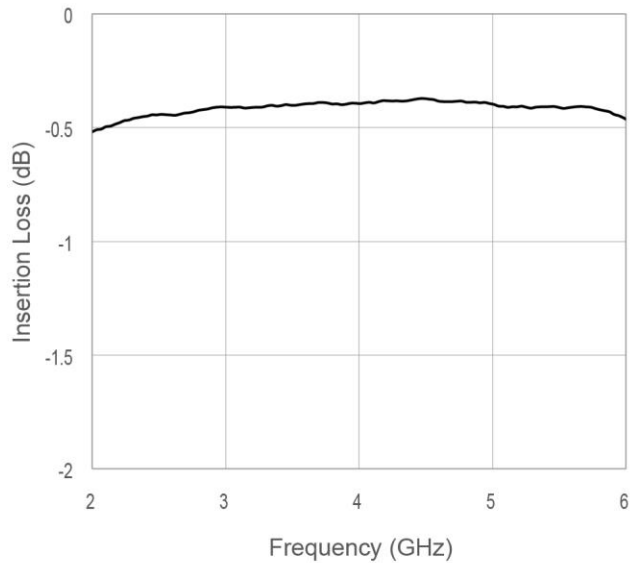
(TA = +25°C, VC(H) = 3.0 V, VC(L) = 0 V, Zo = 50 Ω, DC Block Capacitance = 8 pF, unless otherwise specified)

Error Vector Magnitude	EVM	802.11a, 64QAM, 54Mbps, Pin≤+25dBm	-	0.5	-	%
		802.11g, 64QAM, 54Mbps, Pin≤+25dBm	-	0.5	-	%
		802.11ac, 256QAM, MCS9, 80MHz, Pin≤+25dBm	-	0.5	-	%
Switch Control Current	I _{CONT}	RF none	-	2	10	uA
Switching Speed	t _{SW}	50% CTL to 90/10% RF	-	100	250	ns

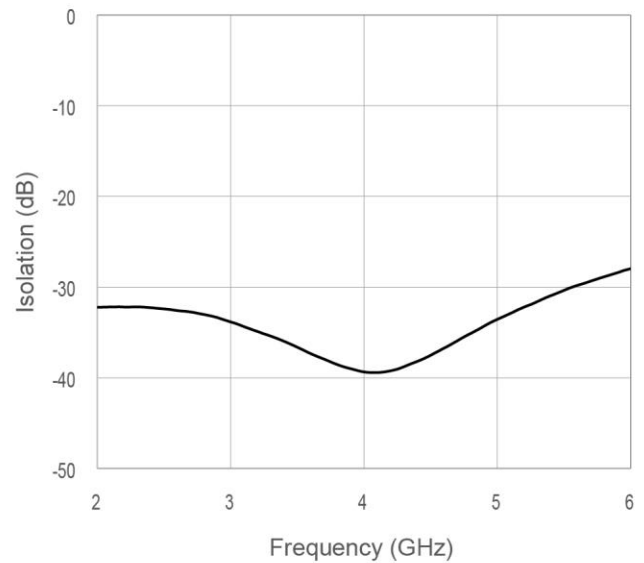
TYPICAL CHARACTERISTICS

(VC(H)=3V, VC(L)=0V, T_A = +25°C, DC Block Capacitance=8pF, through board loss is subtracted in insertion loss data)

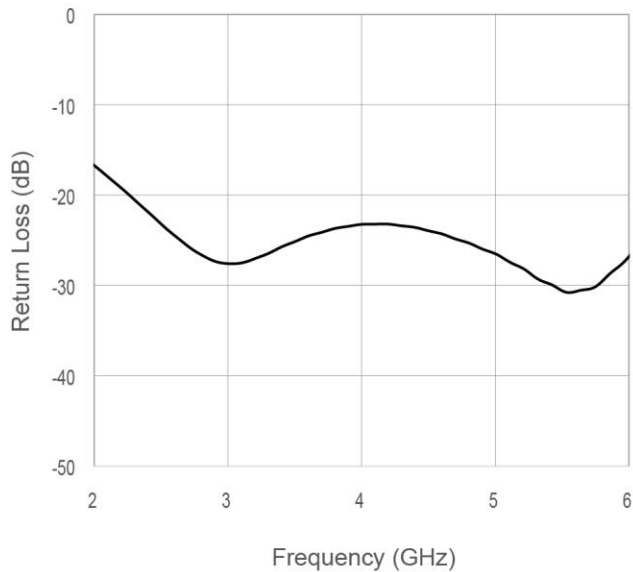
Typical Insertion Loss vs. Frequency



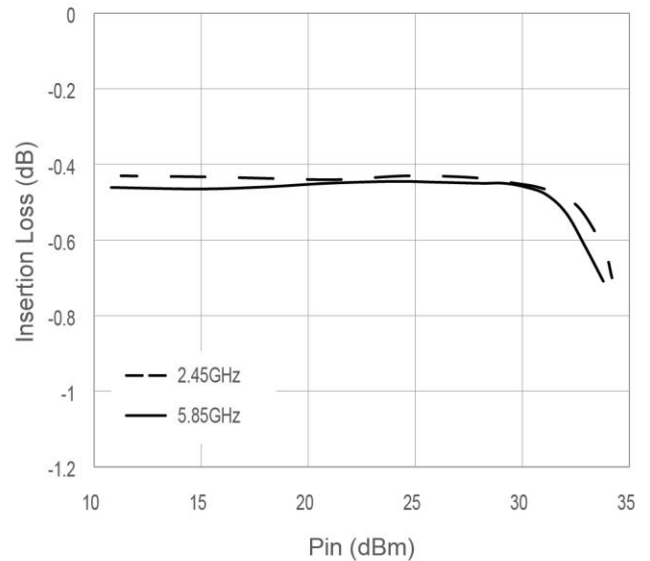
Typical Isolation vs. Frequency



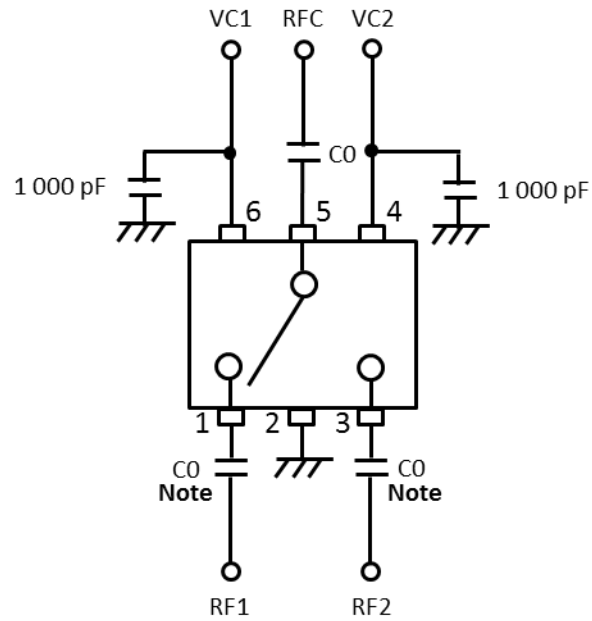
Typical Return Loss vs. Frequency



Typical Insertion Loss vs. Input Power



EVALUATION CIRCUIT

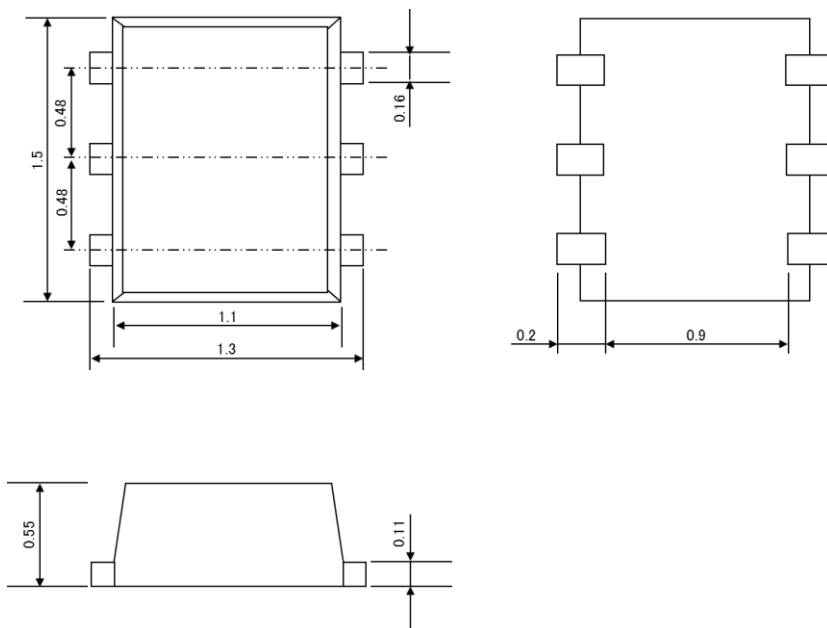


Note C0 : 0.5 to 2.0 GHz 56pF
: 2.0 to 6.0 GHz 8pF

The application circuits and their parameters are for reference only and are not intended for use in actual designs. DC Blocking Capacitors are required at all RF ports.

PACKAGE DIMENSIONS

6-pin lead-less mini mold package (Unit: mm)



RECOMMENDED SOLDERING CONDITIONS

Recommended Soldering Conditions are available on CEL's [Part Summary page](#) under Associated Documents

REVISION HISTORY

Version	Change to current version	Page(s)
CDS-0022-01 (Issue A) February 17, 2016	Initial datasheet	N/A
CDS-0022-02 (Issue B) March 11, 2016	Added Eval Board ordering information	1
CDS-0022-02 (Issue C) March 16, 2016	Added Package Photo	1
CDS-0022-02 (Issue D) April 4, 2016	Updated marking information and MOQ	1,2
CDS-0022-02 (Issue E) August 11, 2016	Removed "preliminary"	All
CDS-0022-02 (Issue F) January 11, 2017	Revised Electrical Characteristics table Added "Recommended Soldering Conditions" section	3, 5
CDS-0022-04 (Issue G) September 15, 2017	Updated Characteristics tables and added Error Vector Magnitude Added "Typical Characteristics" graphs section	3, 4, 5

[CAUTION]

- All information included in this document is current as of the date this document is issued. Such information, however, is subject to change without any prior notice.
- You should not alter, modify, copy, or otherwise misappropriate any CEL product, whether in whole or in part.
- CEL does not assume any liability for infringement of patents, copyrights, or other intellectual property rights of third parties by or arising from the use of CEL products or technical information described in this document. No license, expressed, implied or otherwise, is granted hereby under any patents, copyrights or other intellectual property rights of CEL or others.
- Descriptions of circuits, software and other related information in this document are provided only to illustrate the operation of semiconductor products and application examples. You are fully responsible for the incorporation of these circuits, software, and information in the design of your equipment. CEL assumes no responsibility for any losses incurred by you or third parties arising from the use of these circuits, software, or information.
- CEL has used reasonable care in preparing the information included in this document, but CEL does not warrant that such information is error free. CEL assumes no liability whatsoever for any damages incurred by you resulting from errors in or omissions from the information included herein.
- Although CEL endeavors to improve the quality and reliability of its products, semiconductor products have specific characteristics such as the occurrence of failure at a certain rate and malfunctions under certain use conditions. Please be sure to implement safety measures to guard them against the possibility of physical injury, and injury or damage caused by fire in the event of the failure of a CEL product, such as safety design for hardware and software including but not limited to redundancy, fire control and malfunction prevention, appropriate treatment for aging degradation or any other appropriate measures
Because the evaluation of microcomputer software alone is very difficult, please evaluate the safety of the final products or system manufactured by you.
- Please use CEL products in compliance with all applicable laws and regulations that regulate the inclusion or use of controlled substances, including without limitation, the EU RoHS Directive.
CEL assumes no liability for damages or losses occurring as a result of your noncompliance with applicable laws and regulations.
- This document may not be reproduced or duplicated, in any form, in whole or in part, without prior written consent of CEL.
- Please contact CEL if you have any questions regarding the information contained in this document or CEL products, or if you have any other inquiries.