

Voltage-Controlled Attenuator Module 500 to 4000 MHz

Rev. V4

Features

- WIDE BAND PERFORMANCE
- EXCELLENT INSERTION LOSS: < 3.0 dB (TYP.)
- HIGH DYNAMIC RANGE: 30 dB TO 3000 MHz (TYP.)
- FAST SWITCHING: < 0.5 μ sec, 10 TO 90% (TYP.)
< 2 μ sec, 0 TO 100% (TYP.)

Description

The G40 attenuator is a discrete hybrid design, which uses thin film manufacturing processes for accurate performance and high reliability.

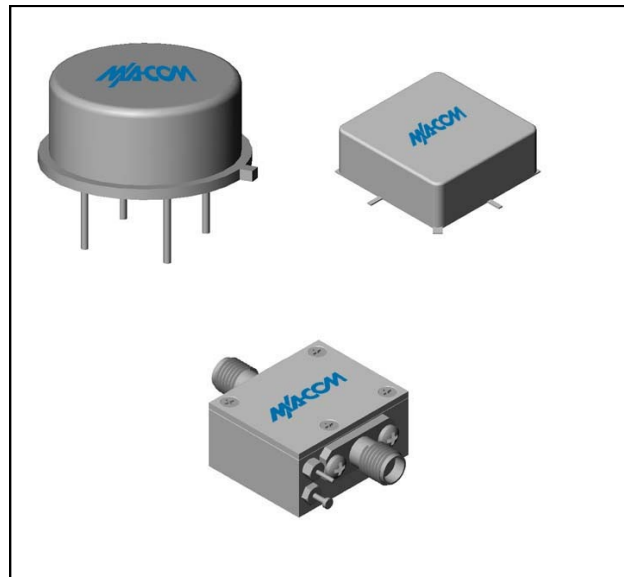
This design uses three pin diodes to provide a non linear attenuation response across a broadband frequency range. Both TO-8 and Surface Mount packages are hermetically sealed, and MIL-STD-883 environmental screening is available.

Ordering Information

Part Number	Package
G40	TO-8
SMG40	Surface Mount
CG40 **	SMA Connectorized

** The connectorized version is not RoHs compliant.

Product Image



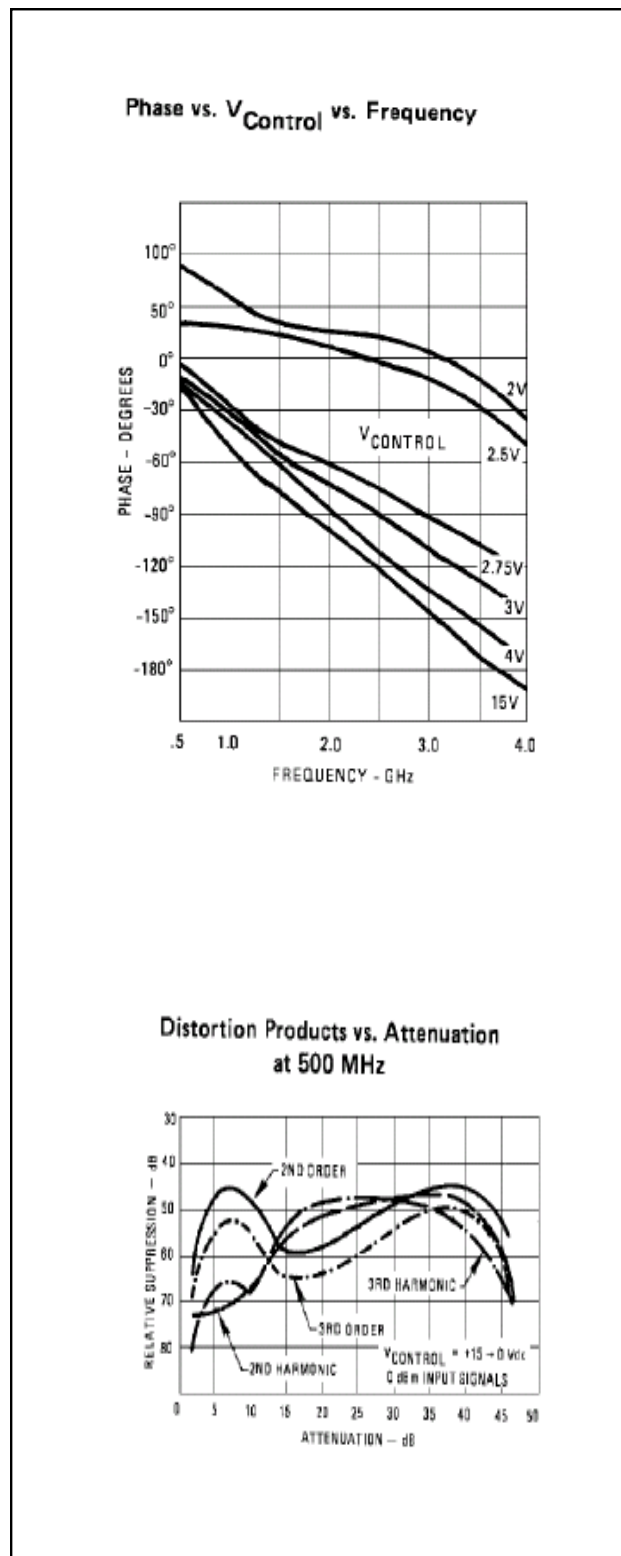
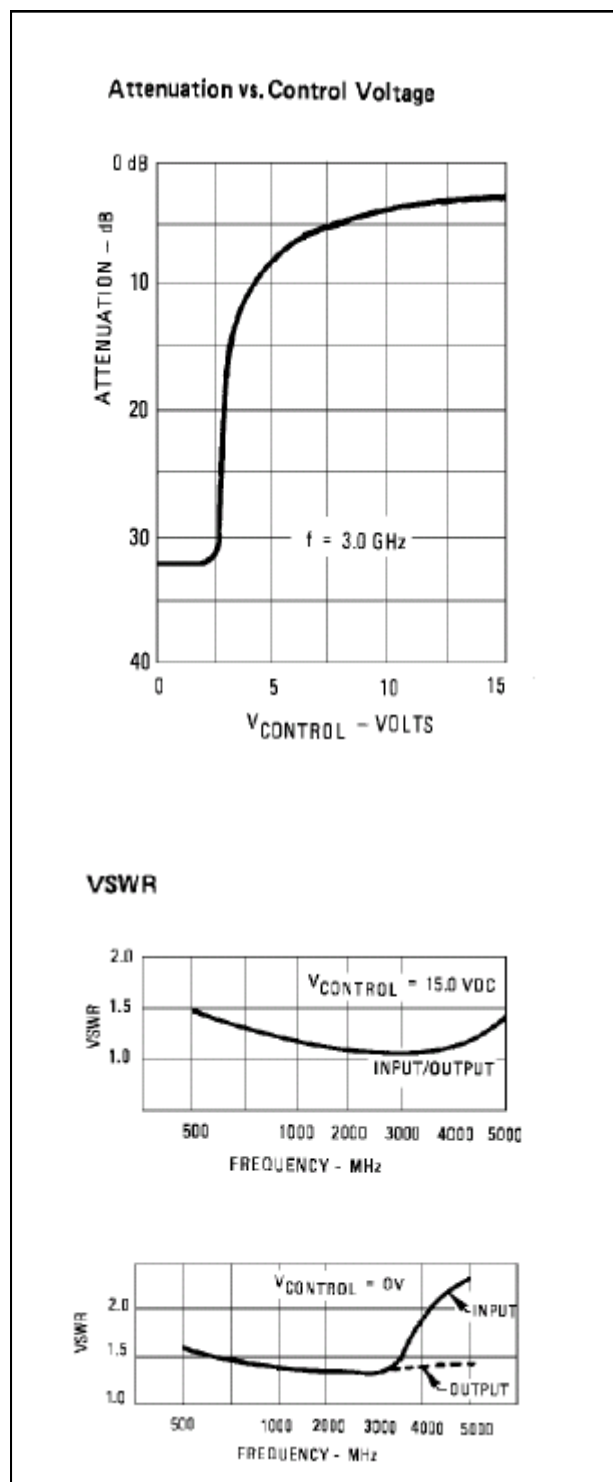
Electrical Specifications: $Z_0 = 50\Omega$, $V_{CC} = +15 V_{DC}$

Parameter	Units	Typical	Guaranteed	
		25°C	0° to 50°C	-54° to +85°C*
Frequency	MHz	500-4200	500-4000	500-4000
Maximum Attenuation Available (min)	500-1000 MHz	>39	34	33
	1000-2000 MHz	>33	28	27
	2000-3000 MHz	>30	25	24
	3000-4000 MHz	>28	23	22
Insertion Loss	500-2000 MHz	2.2	3.0	3.5
	2000-4000 MHz	2.7	3.5	4.0
VSWR	500-3000 MHz	<1.7:1	2.2:1	2.3:1
	3000-4000 MHz	<1.7:1	2.2:1	2.3:1
Flatness Over Frequency (max) (Attenuation = min to 15 dB, 500-1000 MHz)	500-3000 MHz	± 0.3	± 0.8	± 1.0
	500-4000 MHz	± 1.2	± 1.6	± 2.0
Switching Speed (max.)	10% - 90%	<0.5	0.8	0.9
	0% - 100%	<2	4	5
Bias Voltage	Volts	+15	+15	+15
Bias Current (max)	mA	9.5	12	13
Control Voltage	Volts	0 to +15	0 to +15	0 to +15
Control Current (max)	mA	6	10	11

*Over temperature performance limits for part number CG40, guaranteed from 0°C to +50°C only.

M/A-COM Technology Solutions Inc. (MACOM) and its affiliates reserve the right to make changes to the product(s) or information contained herein without notice. Visit www.macom.com for additional data sheets and product information.

Typical Performance Curves at +25°C

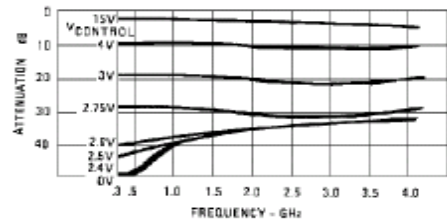
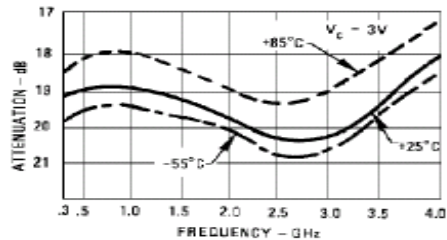
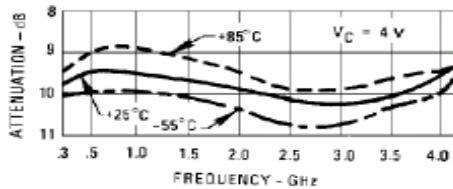
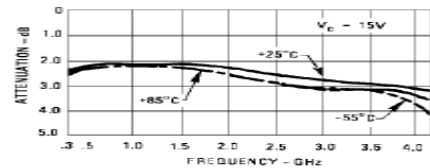


Voltage-Controlled Attenuator Module 500 to 4000 MHz

Rev. V4

Typical Performance Curves at +25°C

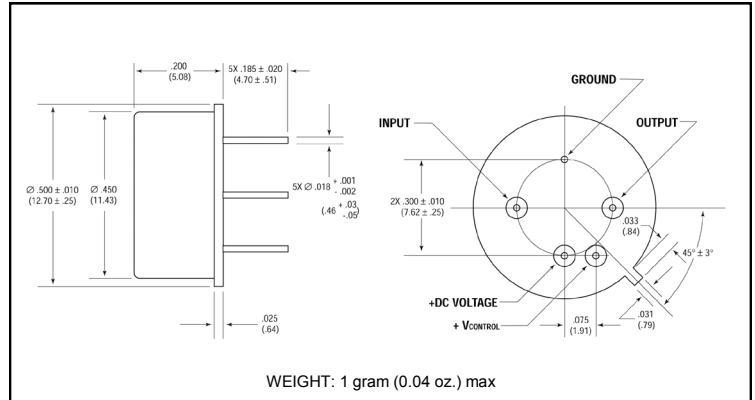
Attenuation vs. V_C Control vs. Frequency



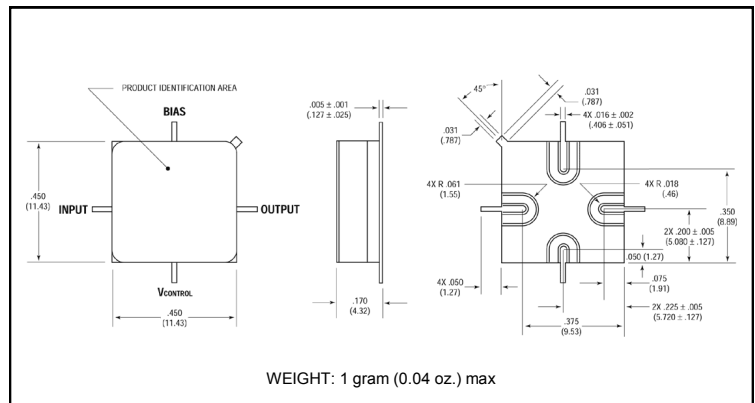
Absolute Maximum Ratings

Parameter	Absolute Maximum
Storage Temperature	-62°C to +125°C
Maximum Case Temperature	125°C
Maximum DC Voltage	+18 V
Maximum DC Bias Voltage	+20 V
Maximum Short Term RF Input power (1 minute max.)	200 mW
Maximum Peak Power (3 µsec max.)	1 W
"S" Series Burn-In Temperature (case)	+125°C

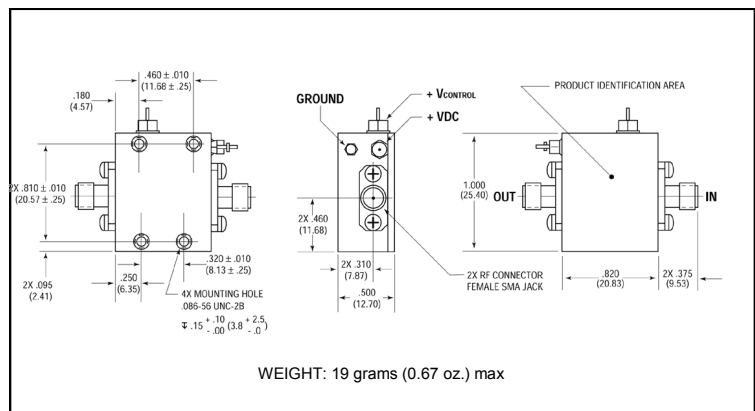
Outline Drawing: TO-8 *



Outline Drawing: Surface Mount *



Outline Drawing: SMA Connectorized *



* Dimensions are inches (millimeters) ±0.015 (0.38) unless otherwise specified.