


# Surge Arrester

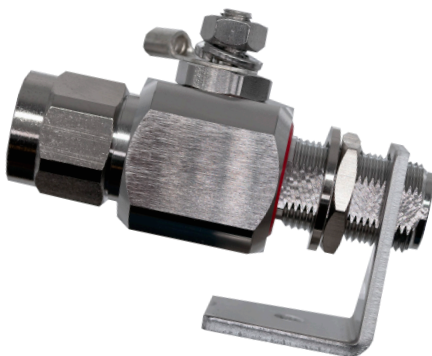
Commercial Grade

## Surge Arrester for Commercial Applications

Power surges or indirect lightning strikes can create network problems by causing network downtimes with potential of millions of dollars of revenue losses. Midwest Microwave surge arresters can protect networks from surges without sacrificing RF performance. Midwest surge arresters can be used to protect cellular base stations, public safety systems, Wi-Fi networks, active antenna systems, and 5G or GPS applications.

### Features

- DC - 3 GHz Frequency Range
- VSWR of 1.2
- Insertion loss of 0.3 dB
- Surge capability 8/20 $\mu$ s of 10 kA nominal
- Multi-strike lightning capability
- Tri-alloy plated brass construction
- RoHS compliant 

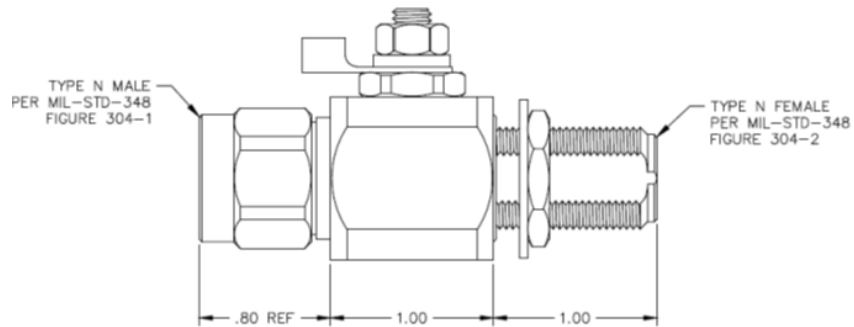


### Applications

- Cellular base stations
- Public safety systems
- Wi-Fi networks
- Active antenna systems
- 5G networks
- GPS systems

Part Number	Description
CGS-1030-00-NNN-34	Commercial grade surge arrester, 3 GHz, N male to N female

# Surge Arrester Specifications



## Materials

Housing	Tri-alloy plated brass
Coupling nut	Tri-alloy plated brass
Male Center Contact	Gold-plated brass
Female Center Contact	Gold-plated beryllium copper

## Electrical

Frequency Range	DC - 2.5 GHz	2.5 - 3 GHz
Insertion Loss	0.25 dB	0.3 dB
Impedance	50Ω nominal	
VSWR	1.20:1 maximum	
Surge Capability, 8/20 μs	10 kA nominal	



**Asia-Pacific**  
+86 21 5442 7668  
ccs.asia.sales@as.cinch.com

**Europe, Middle East**  
+44 (0) 1245 342060  
CinchConnectivity@eu.cinch.com

**North America**  
+1 507 833 8822  
ccsorders@us.cinch.com

[belfuse.com/cinch](http://belfuse.com/cinch)