

Mini overload relays

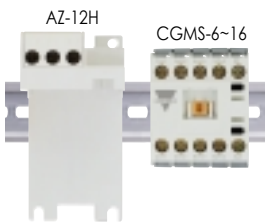
Bimetallic style



CGT-12M

Description

- Direct mount on the mini contactors with screw clamp connection.
contactor types : CGMS-6A(D), CGMS-9A(D),
CGMS-12A(D), CGMS-16A(D)
- DIN rail or screw mountable with the optional base AZ-12H
- Small physical size : 44 mm wide
- 1NO+1NC trip contacts
- Trip class 10A according to IEC60947-4-1
- Differential current/Phase failure protection : CGT types
- Non-differential CGTH types are available for the economic solution
- Ambient compensated -5 to 40 °C
- Manual/Automatic reset convertible.
- Remote reset is optional
- Trip free designed



Separate mount
Direct mount



CGT-12M

Catalog No.

| Setting ranges(A) | Differential type | Non-differential type | |
|-------------------|-------------------|-----------------------|------------------|
| | 3-heater | 3-heater | 2-heater |
| 0.1 - 0.16 | CGT-12M • 0.16 | CGTH-12MH/3 • 0.16 | CGTH-12MH • 0.16 |
| 0.16 - 0.25 | CGT-12M • 0.25 | CGTH-12MH/3 • 0.25 | CGTH-12MH • 0.25 |
| 0.25 - 0.4 | CGT-12M • 0.4 | CGTH-12MH/3 • 0.4 | CGTH-12MH • 0.4 |
| 0.4 - 0.63 | CGT-12M • 0.63 | CGTH-12MH/3 • 0.63 | CGTH-12MH • 0.63 |
| 0.63 - 1 | CGT-12M • 1 | CGTH-12MH/3 • 1 | CGTH-12MH • 1 |
| 1 - 1.6 | CGT-12M • 1.6 | CGTH-12MH/3 • 1.6 | CGTH-12MH • 1.6 |
| 1.6 - 2.5 | CGT-12M • 2.5 | CGTH-12MH/3 • 2.5 | CGTH-12MH • 2.5 |
| 2.5 - 4 | CGT-12M • 4 | CGTH-12MH/3 • 4 | CGTH-12MH • 4 |
| 4 - 6 | CGT-12M • 6 | CGTH-12MH/3 • 6 | CGTH-12MH • 6 |
| 5 - 8 | CGT-12M • 8 | CGTH-12MH/3 • 8 | CGTH-12MH • 8 |
| 6 - 9 | CGT-12M • 9 | CGTH-12MH/3 • 9 | CGTH-12MH • 9 |
| 7 - 10 | CGT-12M • 10 | CGTH-12MH/3 • 10 | CGTH-12MH • 10 |
| 9 - 13 | CGT-12M • 13 | CGTH-12MH/3 • 13 | CGTH-12MH • 13 |
| 12 - 16 | CGT-12M • 16 | CGTH-12MH/3 • 16 | CGTH-12MH • 16 |

Auxiliary (Trip) contact rating

| AC15(11) duty | | | DC13(11) duty | |
|---------------|---------|---------|---------------|-------|
| 110V | 220V | 550V | 110V | 220V |
| 2.5(0.3)A | 2(0.3)A | 1(0.3)A | 0.28A | 0.14A |

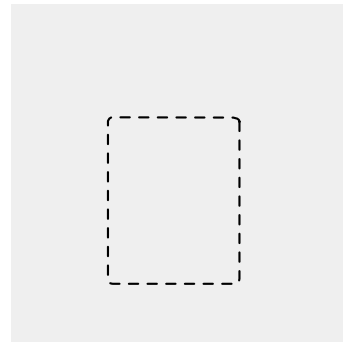
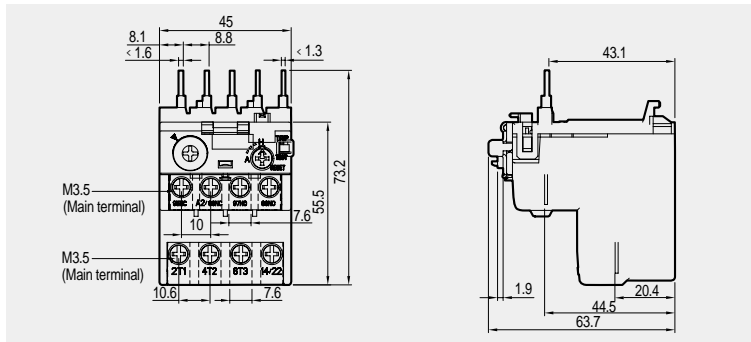
Note) Values of () are the ratings of NO contact under auto reset mode.

For more information

- Drawings → page 37
- Mini Contactors → page 18~26
- Starters → page 32
- Separate mounting unit → page 33
- Operating curves → page 39

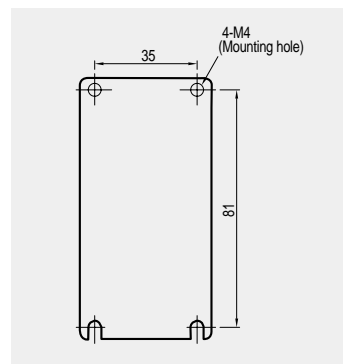
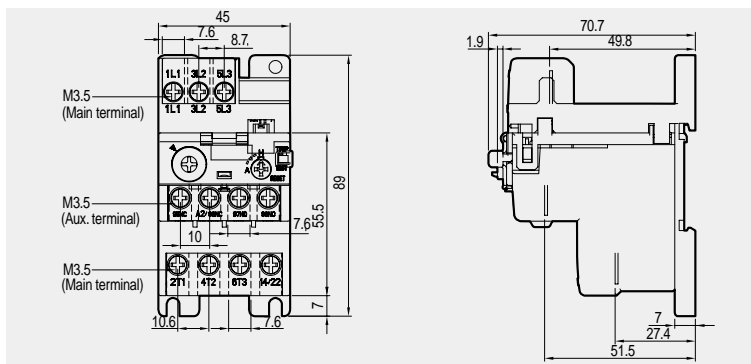


CGT(H)-12M



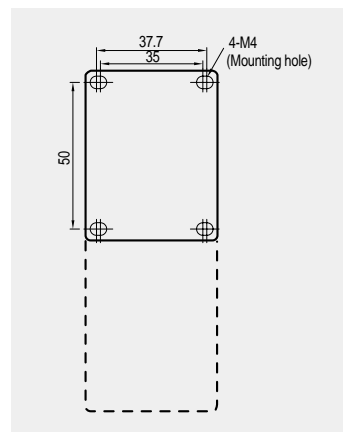
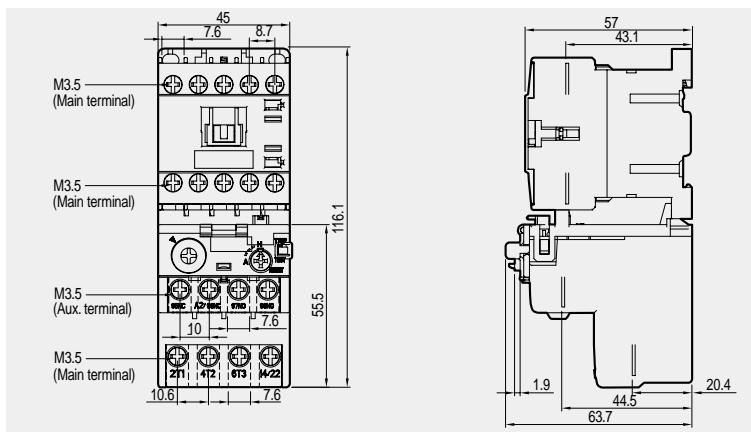
0.1kg

CGT(H)-12MH



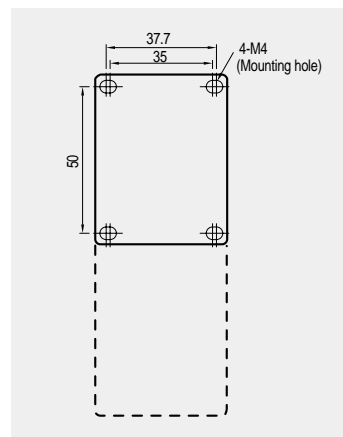
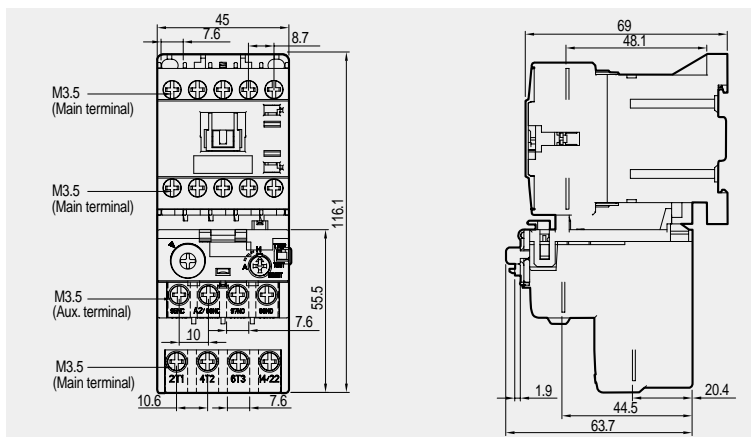
0.4kg

**CGMSS-6,9,
12,16A**



0.26kg

**CGMSS-6,9,
12,16D**



0.39kg