

THIS DRAWING AND THE INFORMATION SET FORTH HEREON ARE THE PROPERTY OF TYCO ELECTRONICS, AND ARE TO BE HELD IN TRUST AND CONFIDENCE. PUBLICATION, DUPLICATION, DISCLOSURE, OR USE FOR ANY PURPOSE NOT EXPRESSLY AUTHORIZED IN WRITING BY TYCO ELECTRONICS IS PROHIBITED.

REVISIONS			
LTR	DESCRIPTION	DATE	APPROVED
B	REVISED PER ECN T-18619	93/10/12	M.HIGGY
B1	PER ECO-11-013152	Jun/24/2011	M.HIGGY

NOTES:

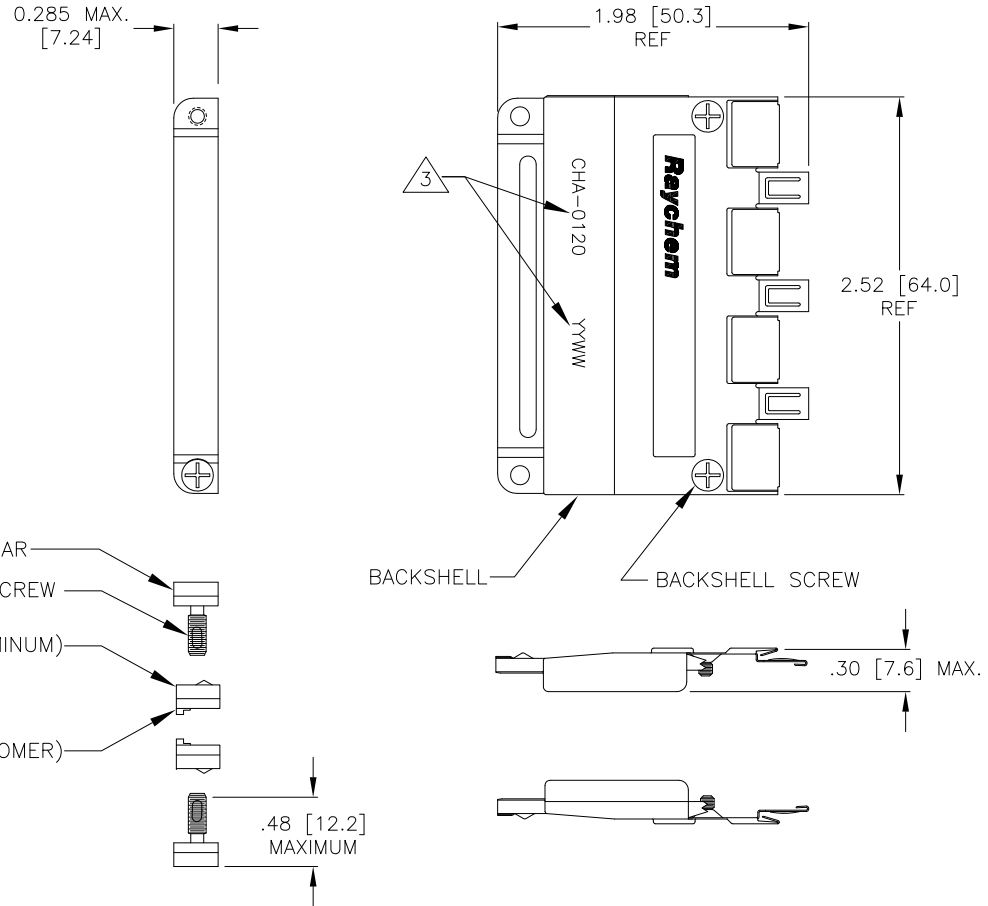
1. MATERIAL:

- A) BACKSHELL COPPER ALLOY 172 PER QQ-A-533
- B) BACKSHELL SCREW STAINLESS STEEL PER QQ-S-763, 300 SERIES
- C) CLAMP BAR STAINLESS STEEL PER QQ-S-763, 300 SERIES
- D) CLAMP INSERT (ELESTOMER) SILICONE ELASTOMER PER MIL-R-25988
- E) CLAMP SCREW STAINLESS STEEL PER QQ-S-763, 300 SERIES
- F) CLAMP INSERT (ALUMINUM) ALUMINUM ALLOY 6061-T6 PER QQ-A-225

2. FINISH:

- A) BACKSHELL CADMIUM PLATED PER QQ-P-416
- B) BACKSHELL SCREW CADMIUM PLATED PER QQ-P-416
- C) CLAMP BAR CADMIUM PLATED PER QQ-P-416
- D) CLAMP SCREW CADMIUM PLATED PER QQ-P-416
- E) CLAMP INSERT (ALUMINUM) CADMIUM PLATED PER QQ-P-416

3 RAYCHEM PART NUMBER CHA-0120 AND DATE CODE ARE STAMPED APPROXIMATELY AS SHOWN. SEE TABULATION FOR PART NUMBERS.



If this document is printed it becomes uncontrolled. Check for the latest revision

© 1988-2011 Tyco Electronics Corporation. All rights reserved.

Raychem MTC CUSTOMER DRAWING

UNLESS OTHERWISE SPECIFIED DIMENSIONS ARE IN INCHES. METRIC DIMENSIONS ARE IN BRACKETS. DECIMALS .XXX ± .005 [.13mm] .XX ± .02 [.5mm] ANGLES .X ±	DRAWN	ZS.DRBAN	Jun/16/2011	 TE Connectivity
	CHECKED			
	APPROVED	M.HIGGY	Jun/16/2011	
	APPROVED			
WEIGHT:	31.3 GRAMS MAX.			TITLE KIT, 2 INCH BACKSHELL PLUG ASSEMBLY EME, WRAP AROUND SHIELD, CADMIUM PLATED MTC SERIES
	THIRD ANGLE PROJECTION			SIZE C CAGE CODE: 06090 DWG. NO. CHA-0120 REV B1 SCALE: NONE SHEET 1 OF 1

DWG NO. CHA-0120 SHEET