

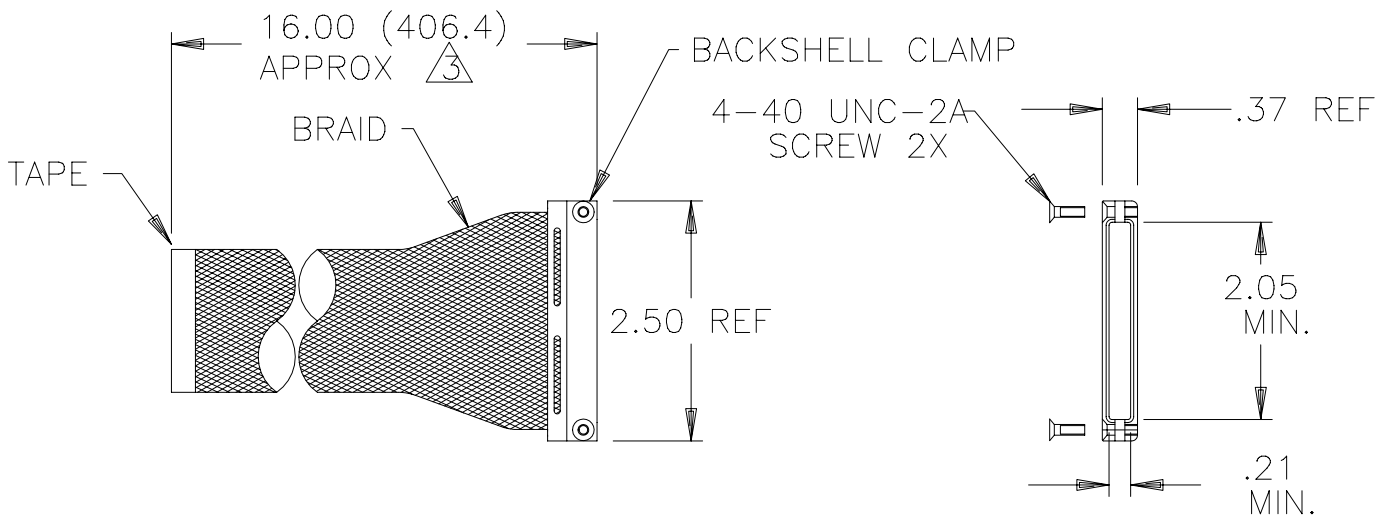
REVISIONS			
LTR	DESCRIPTION	DATE	APPROVED
N/C	INITIAL RELEASE PER DCR# T-22523	1/11/99	M.HIGGY

NOTES:

1. SCREWS ARE SHIPPED LOOSE.
2. MATERIAL: BACKSHELL – ALUMINUM ALLOY, CADMIUM PLATED
BRAID – COPPER ALLOY, TIN PLATED
SCREW – STAINLESS STEEL, PASSIVATED & CAD PLATED
W/THREAD LOCK.

△ THE 16.00 INCHES APPROX. APPLIES TO THE BRAID IN THE "FLAT" AS SUPPLIED CONDITION.

4. SHIELDING EFFECTIVENESS IS LEVEL 1 PER C-6111 AND C-6115.



SPECIFICATION CONTROL DRAWING

If this document is printed it becomes uncontrolled.
Check with the web for latest revision.

UNLESS OTHERWISE SPECIFIED DIMENSIONS ARE IN INCHES. METRIC DIMENSIONS ARE IN BRACKETS.	DRAWN zs.o.	DATE 12/11/98	Raychem				RAYCHEM CORPORATION 300 CONSTITUTION DRIVE MENLO PARK, CALIFORNIA 94025	
	CHECKED	DATE	TITLE					
TOLERANCES: .XXX ± [mm] .XX ±.03 [mm] ANGLE	APPROVED M.HIGGY	DATE 1/11/99	BACKSHELL, 2 INCH EMX SUPPRESSING MTC SERIES					
	THIRD ANGLE PROJECTION							
	CAD NAME T22523.DWG	SIZE A	CODE IDENT. NO. 06090	DWG. NO. CHA-0275-16	REV N/C			
P.C.N. 739533	SCALE: NONE	DO NOT SCALE THIS DRAWING	SHEET 1 OF 1					