

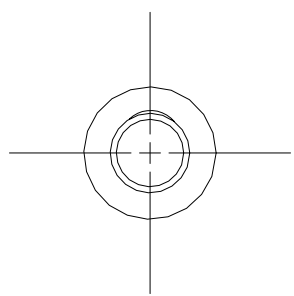
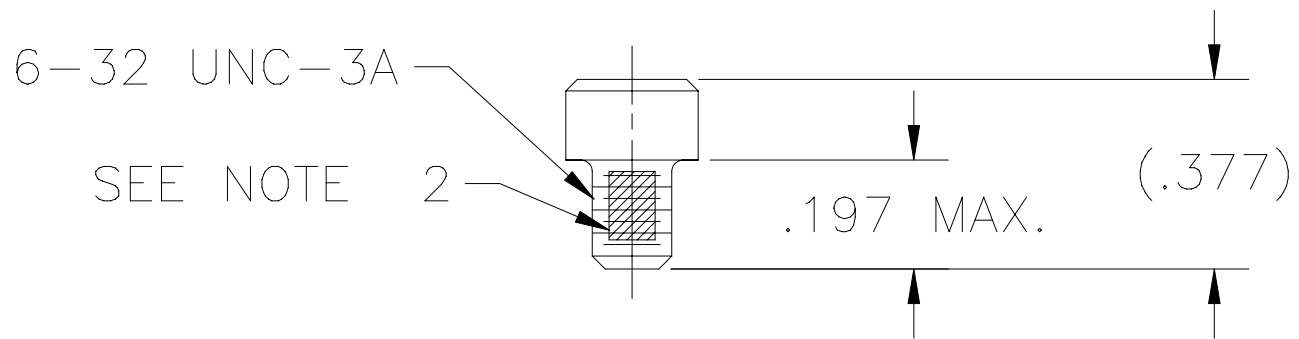
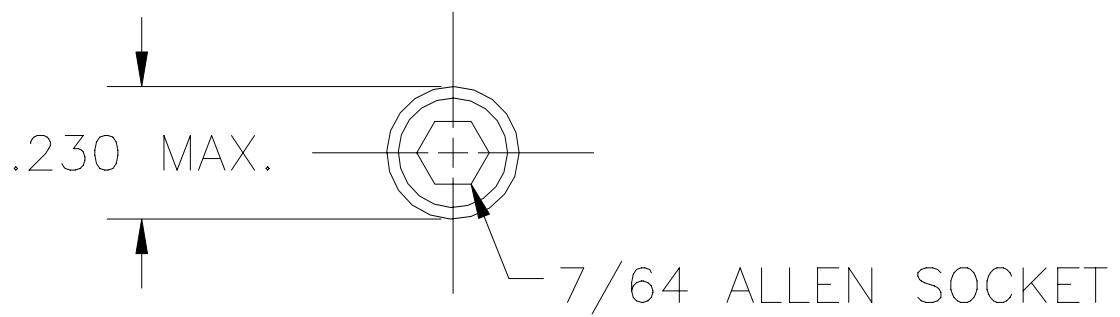


REVISIONS

LTR	DESCRIPTION	DATE	APPROVED
N/C	RELEASED PER ECN T-21495	11JUN97	T. SEATON

NOTES:

- PART SHALL HAVE SELF LOCKING ELEMENT IN ZONE INDICATED.
- SELF LOCKING ELEMENT SHALL MEET THE REQUIREMENTS OF MIL-F-18240, CONFIGURATION B AND THIS DRAWING.
- PART SHALL MEET THE INSTALLATION REMOVAL AND BREAKAWAY TORQUE VALUES SPECIFIED IN MIL-F-18240.
- MATERIAL: STAINLESS STEEL, 302 HQ PER FF-S-86.
- FINISH: PASSIVATED PER QQ-P-35.



If this document is printed it becomes uncontrolled.
Check with the web for latest revision.

SPECIFICATION CONTROL DRAWING

UNLESS OTHERWISE SPECIFIED DIMENSIONS ARE IN INCHES. METRIC DIMENSIONS ARE IN BRACKETS.

DECIMALS
 .XXX ± .005 [mm]
 .XX ± .01 [mm]
 ANGLES
 .X ± 1°
 WEIGHT
 lbs [g]

DRAWN	T. SEATON	11JUN97
CHECKED		
APPROVED	P. DUTTON	11JUN97
PCN	733753-000	
CAD NAME	T21495.DWG	
THIRD ANGLE PROJECTION		

Raychem RAYCHEM CORPORATION
300 CONSTITUTION DRIVE
MENLO PARK, CALIFORNIA 94025

TITLE
 ADAPTER SCREW
 MTC100Q, RECEPTACLE
 .063 MAX THICKNESS PANEL

SIZE A	CODE IDENT. NO. 06090	DWG. NO. CHA-0296	REV N/C
-----------	--------------------------	----------------------	------------

DO NOT SCALE THIS DRAWING SHEET 1 OF 1

