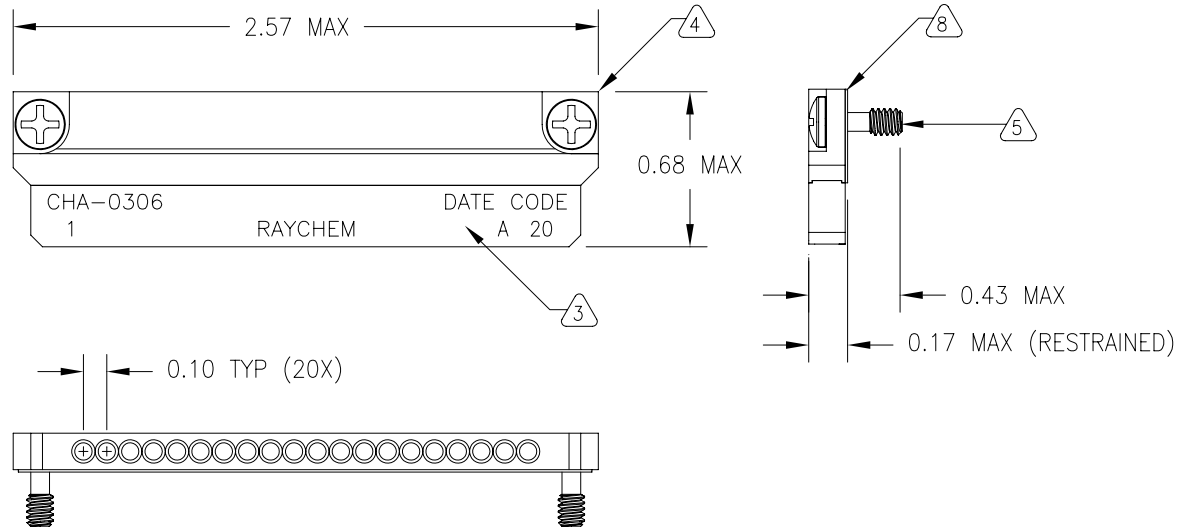


REVISION		
REV	DESCRIPTION	DATE
F	REVISED PER ECO-18-008206	28MAY2018



Notes:

- Application: Electroless Nickel MTC SH2 Receptacle Shells
- For Use With MIL-C 39029/58-360, Size 22 Contacts
- End Cap: Glass Filled Nylon, Flame Retardant, Black
- Main Body: Aluminum, Electroless Nickel Plated
- SCREWS: 4-40 PHILLIPS HEAD, STAINLESS STEEL 302, PASSIVATED, CAPTIVE, SELF-LOCKING. ALTERNATIVE MATERIAL A-286**
- Electrical Contacts: Brass / Beryllium Copper, Gold Plated
- Markings: High Contrast Ink
- Bus Bar, Beryllium Copper, Electroless Nickel Plated
- Meets Raychem Specification C-6114 Requirements
- Contact Cavity Bore Dia, Plated: .0685/0690 (REF)

© 2004 TYCO ELECTRONICS CORPORATION. ALL RIGHTS RESERVED.

SPECIFICATION CONTROL DRAWING					
UNLESS OTHERWISE SPECIFIED DIMENSIONS ARE INCHES. METRIC DIMENSIONS ARE IN BRACKETS.	DRAWN	DATE		TYCO ELECTRONICS 300 CONSTITUTION DRIVE MENLO PARK, CA 94025	<i>Raychem</i>
	T RATZLAFF	26MAR2004			
DECIMAL TOLERANCES	MATERIAL		TITLE		
.XXX ± 0.005 [0.13 mm]	SEE NOTES		2-INCH MTC GROUNDING BLOCK WITHOUT FINGERS		
.XX ± 0.010 [0.25 mm]	FINISH				
.X ± 0.020 [0.50 mm]	SEE NOTES		SIZE	CODE	DWG. NO.
ANGLE TOLERANCE	THIRD ANGLE PROJECTION		A	06090	CHA-0306
.X ± 0.5 DEG.					
WEIGHT (NOM)	CAD FILE C041088.DWG		DO NOT SCALE THIS DRAWING		SHEET 1 OF 1
LBS. 0.0198 [9.0 gm]					