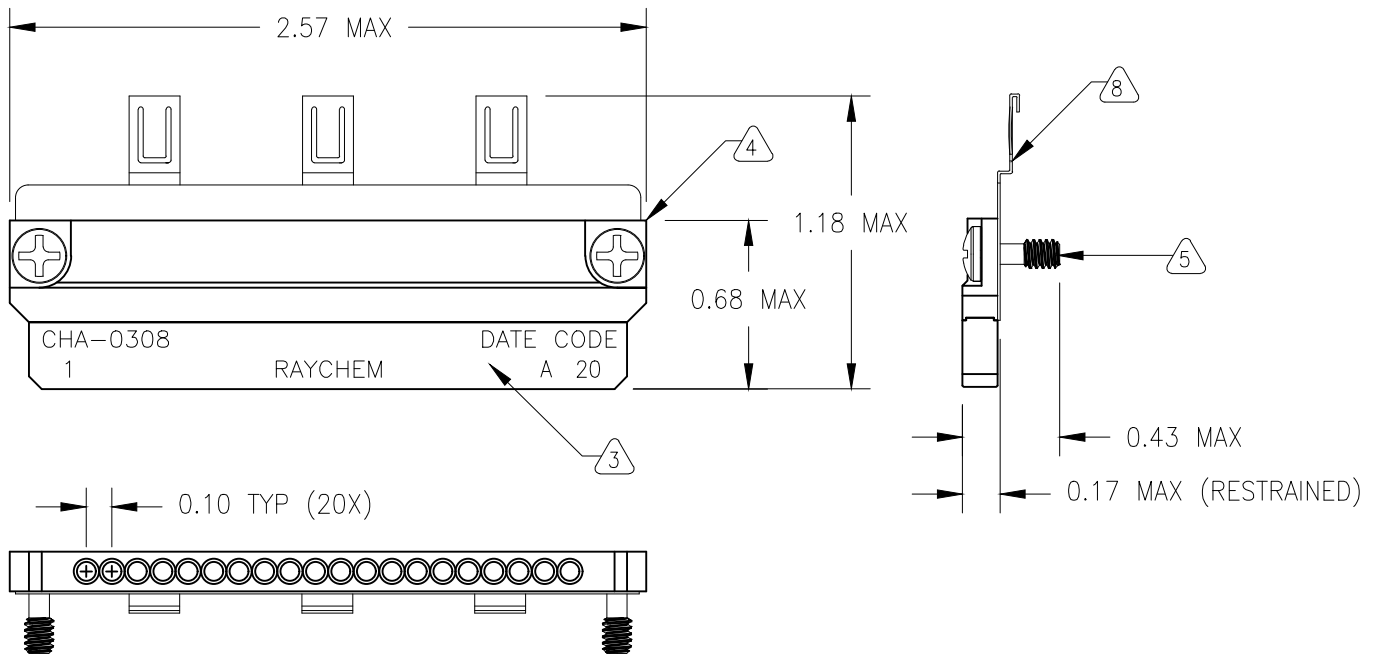


		REVISION	
REV	DESCRIPTION		DATE
G	REVISED PER ECO-18-008206		29MAY2018



Notes:

1. Application: Electroless Nickel MTC SH2 Plug Shells
2. For Use With MIL-C 39029/58-360, Size 22 Contacts
3. End Cap: Glass Filled Nylon, Flame Retardant, Black
4. Main Body: Aluminum, Electroless Nickel Plated
5. Screws: 4-40 Phillips Head, Stainless Steel 302, Passivated, Captive, Self-Locking. Alternative material A-286
6. Electrical Contacts: Brass / Beryllium Copper, Gold Plated
7. Markings: High Contrast Ink
8. Bus Bar, Beryllium Copper, Electroless Nickel Plated
9. Meets Raychem Specification C-6114 Requirements
10. Contact Cavity Bore Dia, Plated: .0685/0690 (REF)

© 2004 TYCO ELECTRONICS CORPORATION. ALL RIGHTS RESERVED.

				SPECIFICATION CONTROL DRAWING		
UNLESS OTHERWISE SPECIFIED DIMENSIONS ARE INCHES. METRIC DIMENSIONS ARE IN BRACKETS.	DRAWN	DATE	tyco <i>Electronics</i>	TYCO ELECTRONICS 300 CONSTITUTION DRIVE MENLO PARK, CA 94025		Raychem
	T RATZLAFF	26MAR2004				
DECIMAL TOLERANCES .XXX ± 0.005 [0.13 mm] .XX ± 0.010 [0.25 mm] .X ± 0.020 [0.50 mm]	MATERIAL	SEE NOTES				
	FINISH	SEE NOTES				
ANGLE TOLERANCE .X ± 0.5 DEG.	THIRD ANGLE PROJECTION			SIZE	CAGE CODE	DWG. NO.
WEIGHT (NOM) LBS. 0.0216 [9.8 gm]				A	06090	CHA-0308
CAD FILE C041090.DWG	DO NOT SCALE THIS DRAWING			SHEET 1 OF 1		