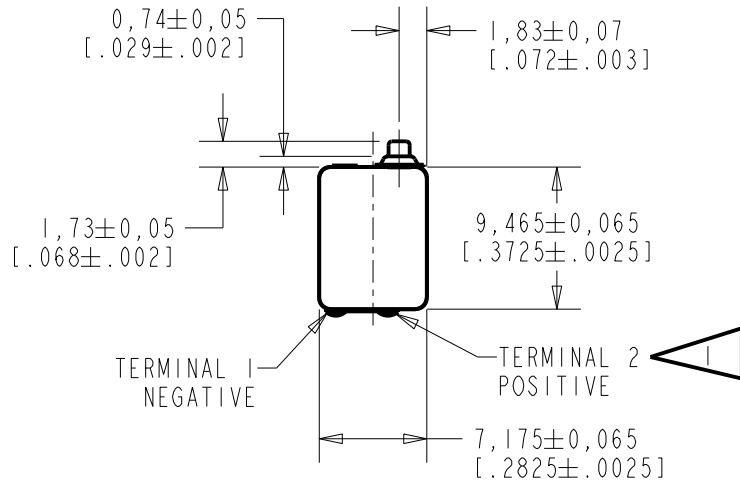
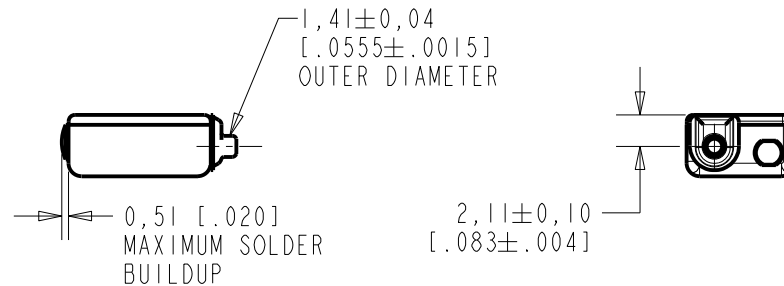
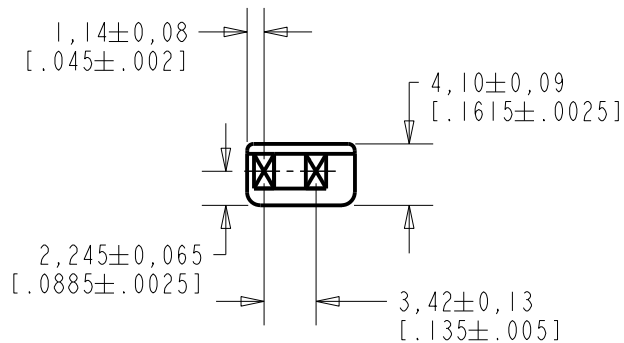


CI-30050-000
SHT 1.1



NOTES:

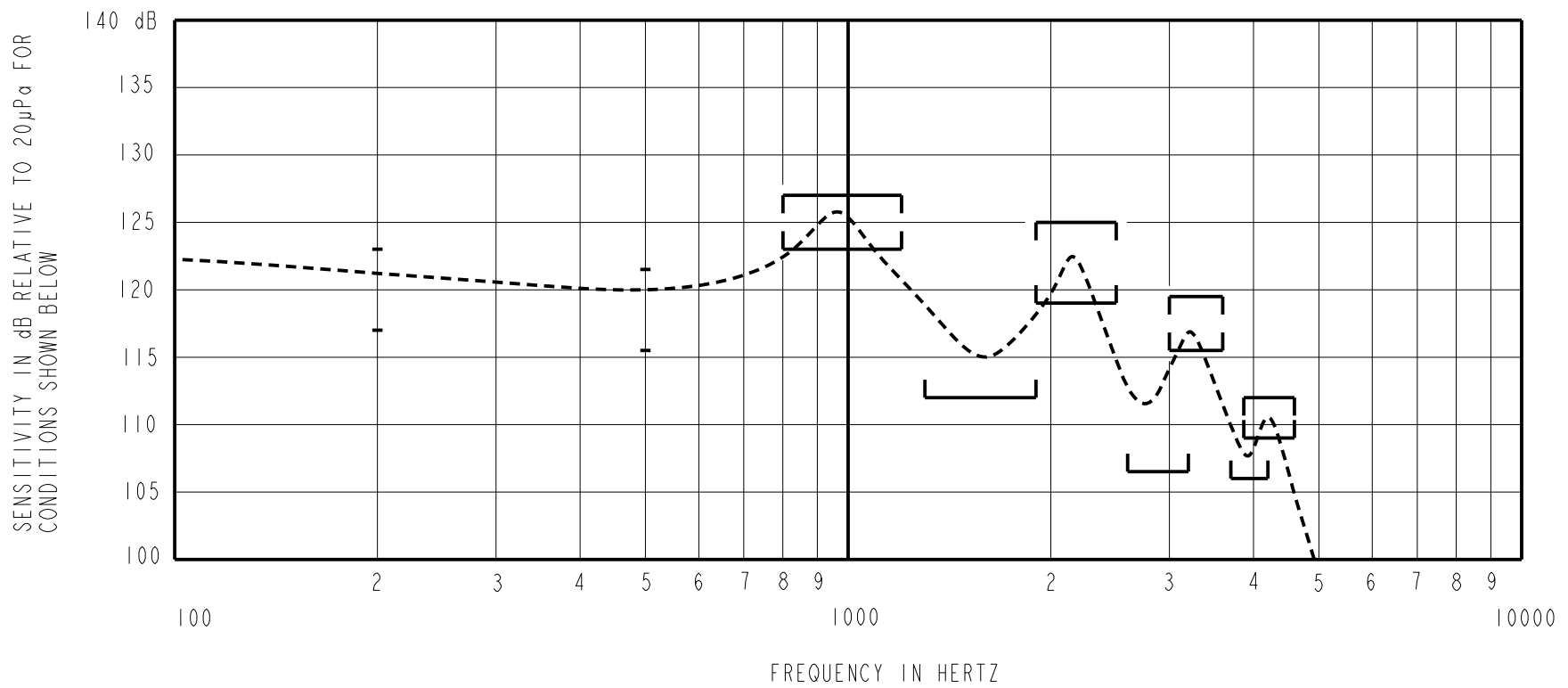
 A POSITIVE GOING VOLTAGE AT TERMINAL 2, RELATIVE TO TERMINAL 1, CAUSES A DECREASE IN PRESSURE AT THE SOUND OUTLET.



DIMENSIONS IN MILLIMETERS [INCHES]

KNOWLES ELECTRONICS
ITASCA, ILLINOIS U.S.A.

Revision	C.O. #	Implementation Date	RELEASE LEVEL	REVISION
B	CI0111948	12-31-10	Active	B
A	CI0104716	9-13-06		
SCALE: 2:1			DR. BY	DATE
DO NOT SCALE DRAWING			SDZ	9-13-06
TITLE: RECEIVER			CK. BY	DATE
OUTLINE DRAWING			GJP	9-29-06
CI-30050-000			APP. BY	DATE
SHT 1.1			GJP	9-29-06



ACOUSTICAL

SENSITIVITY*
DEVICE WILL PRODUCE THE SPL LISTED BELOW WITH THE TEST CONDITIONS DESCRIBED IN TABLE 3. NOMINAL SENSITIVITY AT 500 Hz IS dB RELATIVE TO 20µPa. ALL OTHER VALUES IN dB RELATIVE TO THE SENSITIVITY AT 500 Hz.

FREQUENCY (Hz)	MINIMUM	NOMINAL	MAXIMUM
200	-1.5	+1.5	+4.5
500	-3.0	+118.5	+3.0
800-1200 PEAK 1	+4.5	+6.5	+8.5
1300-1900 VALLEY 1	-6.5	---	---
1900-2500 PEAK 2	+0.5	+3.5	+6.5
2600-3200 VALLEY 2	-12.0	---	---
3000-3600 PEAK 3	-3.0	-1.0	+1.0
3700-4200 VALLEY 2	-12.5	---	---
4100-4600 PEAK 4	-9.5	-8.0	-6.5

TABLE 1.

TOTAL HARMONIC DISTORTION*
DEVICE WILL NOT EXCEED TOTAL HARMONIC DISTORTION LEVELS LISTED BELOW.

FREQUENCY (Hz)	DRIVE (V RMS)	DC BIAS (MA)	LIMIT (%)
350	.148 V	0	5
500	.148 V	0	5
500	.412 V	0	10

TABLE 2.

TEST CONDITIONS

NOMINAL SOURCE VOLTAGE	.148 Vrms, 0 Vdc BIAS
SOURCE IMPEDANCE	< 1 Ω
TUBING	8 mm (.315) LONG X 1 mm (.039) ID 28 mm (1.10) LONG X 1.5 mm (.059) ID 25 mm (.984) LONG X 2 mm (.079) ID 18 mm (.710) LONG X 3 mm (.118) ID
COUPLER CAVITY	2 CC SIMULATED ANSI S3.6 TYPE HA-3 (IEC 60318-5)

TABLE 3.

POLARITY
POSITIVE SIGNAL APPLIED TO TERMINAL 2 WILL PRODUCE A INCREASE IN SOUND PRESSURE AT THE SOUND OUTLET (REVERSE POLARITY).

ELECTRICAL

DC RESISTANCE	9.2Ω ±10%
IMPEDANCE @ 500Hz	25Ω ±20%

TABLE 4.

ISOLATION: THE CASE WILL BE ELECTRICALLY ISOLATED FROM THE COIL CIRCUIT*

MECHANICAL

PORT LOCATION: IS

SOLDER TYPE: SAC305 (LEAD FREE)

TEMPERATURE

OPERATING: SENSITIVITY WILL NOT VARY MORE THAN +1/-3 dB FROM -17°C TO 63°C

STORAGE: -40°C TO 63°C

MECHANICAL SHOCK

LEAK TEST AFTER AGING (NO LEAK AFTER ANY OF THE ABOVE TESTS)

KNOWLES ELECTRONICS
ITASCA, ILLINOIS U.S.A.

Revision	C.O. #	Implementation Date	RELEASE LEVEL	REVISION
B	CI0111948	12-31-10	Active	B
A	CI0104716	9-13-06		
WHEN TEST LIMITS ARE USED TO ESTABLISH INCOMING INSPECTION ACCEPTANCE/REJECTION CRITERIA, CORRELATION OF TEST EQUIPMENT WITH KNOWLES IS ALSO REQUIRED FOR ELIMINATION OF EQUIPMENT AND TEST METHOD VARIATION				
TITLE: RECEIVER			CI-30050-000	DR. BY DATE BCR 12-29-95
PERFORMANCE SPECIFICATION			SHT 2.1	CK. BY DATE SJM 1-4-96
				APP. BY DATE DRK 1-9-96