

# RED IS ORIGINAL

DRG # H 1  
 ENG SIZE C  
 DATA CONTAINED IN THIS DOCUMENT IS PROPRIETARY TO TROMPETER ELECTRONICS INC. AND SHALL NOT BE DISCLOSED, COPIED OR USED FOR REPRODUCTION OR MANUFACTURE WITHOUT EXPRESS WRITTEN PERMISSION.

REVISONS			3-0135	SH 1	
REV	EO	DESCRIPTION	DWN	APPROVED	DATE
B	10050	PICTORIALLY CHANGED 1.00 FLARED SEALING SLEEVE TO STRAIGHT (1.25) LONG SEALING SLEEVE; GENERAL UPDATE	DKC	<i>[Signature]</i>	12/20/92

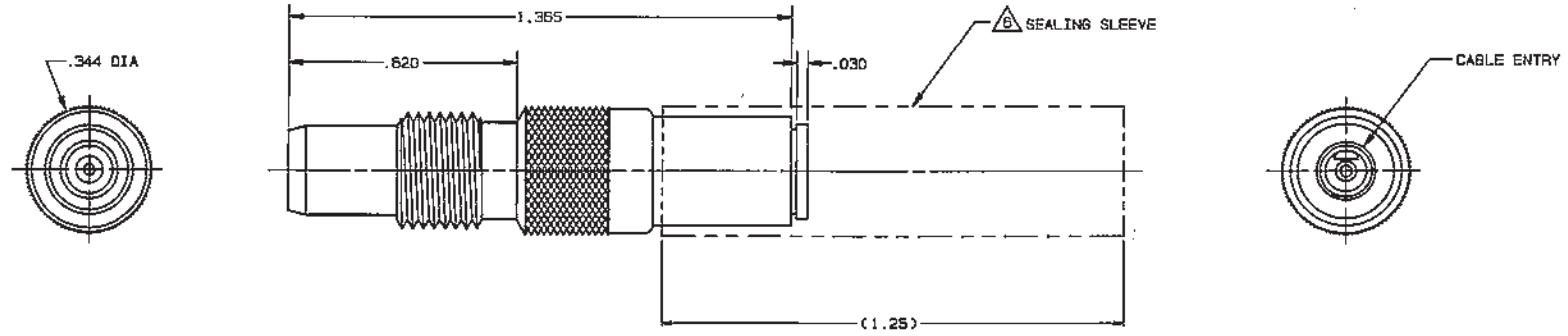
**TABLE 1**

DASH NO	MODEL NO	CENTER CONTACT/INTMO CONTACT TYPE
-1	CJ3450AC P	SOCKET/PIN
-2	CJ3450AC S	PIN/SOCKET

**TABLE 2**

CABLE GROUP NO	CABLES ACCOMMODATED	ASSEMBLE PER
-201	M17-176-00002	TAI-162
-202	TWC-78-1, TROMPETER	
-203	TWC-124-1A, TROMPETER	
-204	10602, RAYCHEM	
-205	TWAC-78-1F2, TROMPETER	
-206	7826DD130, RAYCHEM	
-208	202-3927, MICRODOT	
-209	202-3942, MICRODOT	
-212	2524E0114, RAYCHEM	
-217	GC875TH24H GRUMMAN	
-218	EPD22188B, RAYCHEM	
-219	2526D1114, RAYCHEM	
-220	GC875HR1, GRUMMAN	
-221	10614, RAYCHEM	
-222	10613, RAYCHEM	
-223	HMS2-1149, HUGHES	

INCH	MM
.010	0.25
.030	0.76
.05	1.52
.255	6.48
.344	8.74
.620	15.75
1.25	31.75
1.365	34.67



5. EXAMPLE OF COMPLETE MODEL NO:  
CJ3450AC P-201  
 BASIC MODEL NO (SEE TABLE 1) — CABLE GROUP NO (SEE TABLE 2)  
 — CENTER & INTERMEDIATE CONTACT TYPE (SEE TABLE 1)

4. EXAMPLE OF COMPLETE PART NO:  
3-0135-1-201  
 BASIC PART NO — CABLE GROUP NO (SEE TABLE 2)  
 — DASH NO (SEE TABLE 1)



RECOMMENDED  
HEX CRIMP

3. CONCENTRIC TWINAX 4 PIECE ASSY, FULL CRIMP NONINSULATED BULKHEAD MOUNT RECEPTACLE, SOCKET CENTER CONTACT AND PIN INTERMEDIATE CONTACT OR PIN CENTER CONTACT AND SOCKET INTERMEDIATE CONTACT

2. FINISH: TFS-1U

1. ALL DIM ARE IN INCHES

(B) SEALING SLEEVE AND CRIMP BUSHING TO BE SUPPLIED LOOSE WITH EACH CONNECTOR

QTY	DESCRIPTION	PART NUMBER	ITEM
TO, UNLESS SPECIFIED			
.xx ± .05			
.xxx ± .010			
.XXXX ANGLE			
DWN DKC 112-2-92	MATERIAL	CODE IDENT	DRAWING NO.
CHK <i>[Signature]</i>		14949	3-0135
ENGR <i>[Signature]</i>	APPR <i>[Signature]</i>	DATE 3/6/89	SHEET 1 OF 2
NEXT ASSY	SCALE 4/1	DATE 12/28/92	