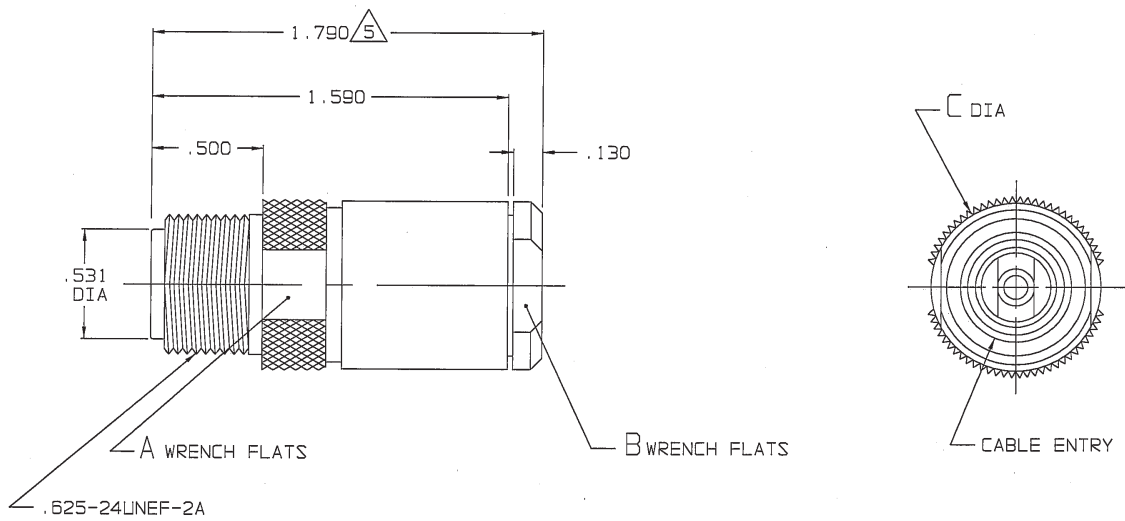


DATA CONTAINED IN THIS DOCUMENT IS PROPRIETARY TO TROMPETER ELECTRONICS, INC. AND SHALL NOT BE DISCLOSED, COPIED OR USED FOR PROCUREMENT OR MANUFACTURE WITHOUT EXPRESS WRITTEN PERMISSION OF TROMPETER ELECTRONICS, INC.

REVISONS		3-0216	SH 1
REV	DESCRIPTION	DATE	APPROVED
E	REVISED PER ECD 15728	12-10-04	<i>WJS</i>

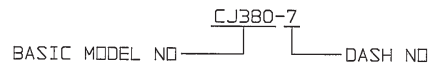
DASH NO	CABLES ACCOMMODATED	A FLATS	B FLATS	C DIA	ASSEMBLE PER
-7	TRC-50-2/TRC-75-2	.687	.625	.760	TAI-175
-8	8227, BELDEN				TAI-116
-9	TWC-78-2, RG-108, TWC-124-2				TAI-131
-10	754E, W.E.CO., RG-22				TAI-175
-11	760A, W.E.CO.				TAI-116
-12	16PEVL, W.E.CO.				TAI-175
-13	TRF-59, TIMES				TAI-116
-13A	8232, BELDEN				TAI-175
-14	21-529, ESSEX 8233, BELDEN				TAI-116
-14A	TRC-50-4A				.875
-15	21-583, ESSEX	TAI-116			
-16	21-950, ESSEX	.687	.625	.760	TAI-175
-26	275-3962, MICRODOT				TAI-116
-29	TWC-124-1A				TAI-175
-32	TRC-50-1				TAI-116
-42	21-204, ESSEX				TAI-175
-47	9860, BELDEN				TAI-116
-46	M17/176-00002				TAI-175
-54	89207, BELDEN				TAI-116
-61	5012W5812, RAYCHEM				TAI-175
-62	7518A0811, RAYCHEM				TAI-116

**RED INDICATES ORIGINAL**



-10 SHOWN

6. EXAMPLE OF COMPLETE MODEL NO:



**5** DIM IS MAX WHEN ASSEMBLED TO CABLE

4. THREADED CONCENTRIC TWINAX/TRIAX "C" STYLE CABLE RECEPTACLE WITH PIN CENTER CONTACT
3. INTERFACE: TCS-BJ80
2. FINISH: TFS-1A (NICKEL)
1. ALL DIM ARE IN INCH

INTERNET DRAWING PER MIL-STD-883C		TOL: UNLESS SPECIFIED		
DIMENSIONS ARE IN INCHES AND INCLUDE FINISH THICKNESS UNLESS OTHERWISE SPECIFIED		.XX ±.01 .XXX ±.005 .XXXX ±.0010 ANGLES ± 0° 30'		
DRAWN: AAH	DATE: 12-8-04	MATERIAL:	TITLE: CJ380	SIZE: <b>B</b> 14949 DRAWING NO.: 3-0216 REV.: E
CHECKED: T. G. G. 12-9-04	DATE: 12/10	FINISH:	SCALE: 2/1	
DATE: 12/10/04	DATE: 12/10/04	DATE: 6-7-84	SHEET: 1C	
NEXT ASSY:	CAD FILE NO: 3-0216E	DO NOT SCALE DWG		