

|               |  |           |                       |        |                    |      |
|---------------|--|-----------|-----------------------|--------|--------------------|------|
| DWG SIZE<br>C | DATA CONTAINED IN THIS DOCUMENT IS PROPRIETARY TO TROMPETER ELECTRONICS INC. AND SHALL NOT BE DISCLOSED, COPIED OR USED FOR PROCUREMENT OR MANUFACTURE WITHOUT EXPRESS WRITTEN PERMISSION. | REVISIONS |                       | 3-0217 | SH 1               |      |
|               |  | REV       | DESCRIPTION           | DWN    | APPROVED           | DATE |
|               |  | J         | REVISED PER ECO 16421 | L.M.   | <i>[Signature]</i> |      |

| DASH NO | CABLES ACCOMMODATED   | A DIM | B DIM | C HEX | D FLATS | E DIA | F DIA MAX | CABLE ENTRY DIA | ASSEMBLY PER |
|---------|---|-------|-------|-------|---------|-------|-----------|-----------------|--------------|
| -7      | TRC-50-2<br>TRC-75-2  | 1.314 | .096  | .438  | .500    | .500  | .593      | .274            | TAI-189      |
| -8      | 8227 BELDEN   | 1.648 | .130  | .625  | .688    | .750  | .775      | .345            | TAI-103      |
| -9      | TWC-78-2<br>TWC-124-2   | 1.314 | .096  | .438  | .500    | .500  | .593      | .285            | TAI-102      |
| -10     | RG-22<br>754E W.E.CO.   |       |       |       |         |       |           | .455            | TAI-103      |
| -11     | 760A W.E.CO.  |       |       |       |         |       |           | .347            |              |
| -12     | 16 PEVL W.E.CO.<br>VI-AL GENERAL                              | 1.648 | .130  | .625  | .688    | .750  | .775      | .485            | TAI-128      |
| -13     | TRF-59 TIMES  |       |       |       |         |       |           | .362            | TAI-129      |
| -13A    | 8232 BELDEN   |       |       |       |         |       |           | .352            | TAI-165      |
| -14     | 8233 BELDEN   |       |       |       |         |       |           | .490            | TAI-129      |
| -23     | 250-3884 MICRODOT   |       |       |       |         |       |           | .183            | TAI-189      |
| -24     | 202-3934 MICRODOT   |       |       |       |         |       |           | .191            | TAI-102      |
| -24A    | 9530A5117 RAYCHEM   |       |       |       |         |       |           | .200            | TAI-189      |
| -25     | T-43M GENERAL   |       |       |       |         |       |           | .285            | TAI-102      |
| -25A    | 5021H5331 RAYCHEM   |       |       |       |         |       |           | .191            | TAI-189      |
| -26     | 7028A5518 RAYCHEM   |       |       |       |         |       |           | .191            | TAI-189      |
| -27     | T19TPSJ2619EN WOVEN<br>202-3927 MICRODOT<br>202-3942 MICRODOT |       |       |       |         |       |           | .145            | TAI-102      |
| -29     | TWC-78-1/TWC-124-1A   | 1.314 | .096  | .438  | .500    | .500  | .593      | .191            | TAI-102      |
| -30     | 761A W.E.CO.<br>8441 BELDEN                                   |       |       |       |         |       |           | .235            |              |
| -32     | TRC-50-1  |       |       |       |         |       |           | .191            |              |
| -33     | TRC-75-1  |       |       |       |         |       |           | .217            |              |
| -42     | 21-204 ESSEX<br>4463 CONSOLIDATED                             |       |       |       |         |       |           | .300            | TAI-189      |
| -43     | 250-4044/250-4045<br>293-3930 MICRODOT                        |       |       |       |         |       |           | .200            |              |
| -45     | M27500-22TE2T14<br>1100-66F STANDARD                          |       |       |       |         |       |           | .183            | TAI-102      |
| -46     | 9860 BELDEN   | 1.648 | .130  | .625  | .688    | .750  | .775      | .475            | TAI-103      |
| -47     | M17/176-00002   |       |       |       |         |       |           | .164            | TAI-102      |
| -49     | TWAC-78-1F2   | 1.314 | .096  | .438  | .500    | .500  | .593      | .132            |              |
| -54     | 89207 BELDEN  | 1.648 | .130  | .625  | .688    | .750  | .775      | .323            | TAI-103      |
| -55     | 89272 BELDEN  |       |       |       |         |       |           | .250            | TAI-102      |
| -56     | GC875GC1, GRUMMAN   |       |       |       |         |       |           | .191            | TAI-189      |
| -57     | GC875GB1, GRUMMAN   |       |       |       |         |       |           |                 |              |
| -58     | GC875TM24H, GRUMMAN   |       |       |       |         |       |           | .198            | TAI-102      |
| -59     | GC875LN1, GRUMMAN   | 1.314 | .096  | .438  | .500    | .500  | .593      | .217            | TAI-189      |
| -60     | M17/177 THERMATICS<br>380-10045 BOEING                        |       |       |       |         |       |           | .183            |              |
| -64     | 7528A5314, RAYCHEM  |       |       |       |         |       |           |                 |              |

FIG 1  
- 9 SHOWN

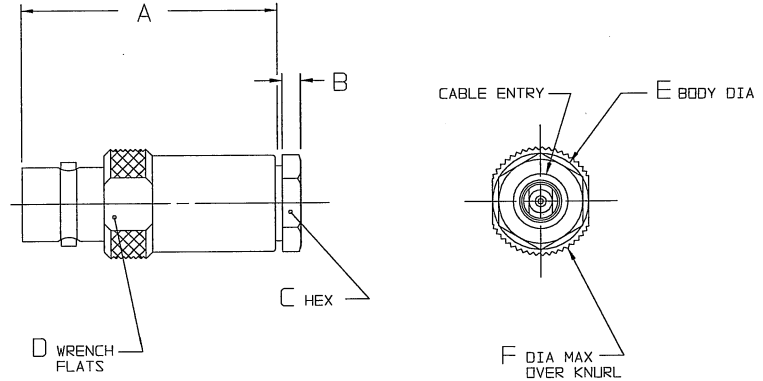
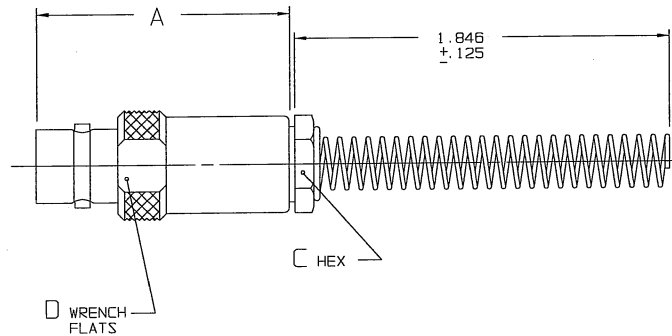


FIG 2  $\Delta$   
- 9 SHOWN



**RED INDICATES ORIGINAL**

$\Delta$  FOR BEND RELIEF SPRING (FIG 2) ADD SUFFIX "BR" TO MODEL NO (NOT AVAILABLE WITH CABLE GROUPS -8, -10, -11, -12, -13, -14, -46 AND -54)

3. INTERFACE: TCS-BJ79

2. 2 LUG CONCENTRIC TWINAX/TRIAX TRB CABLE RECEPTACLE

1. FINISH: TFS-1A (NICKEL)

| QTY  | DESCRIPTION                        | PART NUMBER     | ITEM        |
|--|------------------------------------|-----------------|-------------|
| TOL UNLESS SPECIFIED<br>.XX ±<br>.XXX ± .005<br>XXXX ±<br>ANGLES | <b>TROMPETER ELECTRONICS, INC.</b> | CJ70TL/CJ70TLBR |             |
| DWN  | L.M. 7-25-07                       | MATERIAL        | CODE IDENT  |
| CHK  | Jc 8-24-07                         | 14949           | DRAWING NO. |
| ENGR   |                                    |                 | 3-0217      |
| APPR   | Jm 8/24/07                         | SCALE 2/1       | DATE 7/5/84 |
| 305-0515   | NEXT ASSY                          |                 | SHEET 1C    |