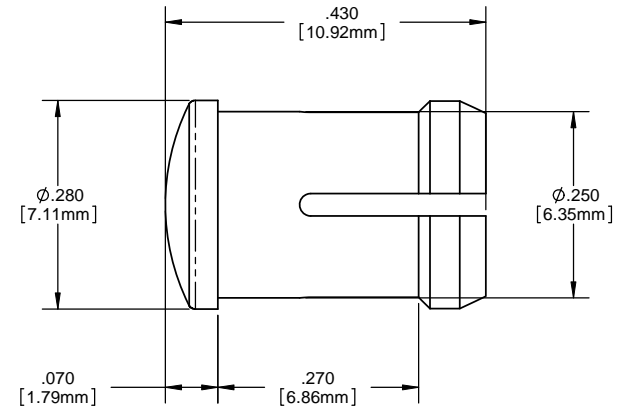
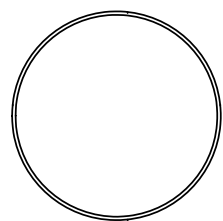
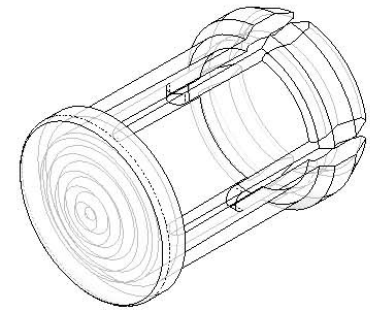
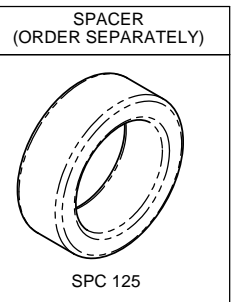


8 7 6 5 4 3 2 1

NOTES:

- MOUNTING:** Mounts in a $\phi .250 \pm .002$ [$\phi 6.35\text{mm} \pm .05$] panel hole on .375 [9.5mm] centers. Panel thickness .031 [.8 mm] to .250 [6.35mm]. Panel hole should be deburred, but not chamfered.
- ASSEMBLY:** Insert lens through panel hole, (for thin panels less than .188 [4.75mm] thick, slide SPC 125 spacer on back of lens), and insert LED into lens.
- MATERIAL:** Polycarbonate, UL 94-V2
GLO Series- Polycarbonate & Acrylic blend
- U.S. & Foreign Pat. Issued & Pend.

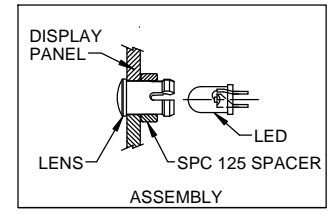
REVISIONS				
ECN#	REV.	DESCRIPTION	DATE	INITIALS
	1	VARIOUS	5-91	JS
	2	ADD GLO SERIES	1-6-09	JG
	3	REMOVE RNG 268, ADD UL RATING TO MATERIAL	9-16-09	AZ
	001	REVISED PER ECR111009AZ01	4-23-10	SMU



ORDERING CODE : **CLB 300 XXX**

MODEL

LENS COLOR	
RTP	RED TRANSPARENT
ATP	AMBER TRANSPARENT
GTP	GREEN TRANSPARENT
BTP	BLUE TRANSPARENT
YTP	YELLOW TRANSPARENT
CTP	CLEAR TRANSPARENT
GLO	WHITE TRANSLUCENT



<small>UNLESS OTHERWISE SPECIFIED DIMENSIONS ARE IN INCHES</small> ANGLES DECIMALS ±1° FINISH .X ±.020 .XXX ±.010 XXX ±.005 BREAK ALL CORNERS AND SHARP EDGES (R1/16)	MATERIAL POLYCARBONATE, UL 94-V2	VISUAL COMMUNICATIONS COMPANY, INC. 190 Bosstick Boulevard, Suite 101 San Marcos, CA 92069 USA Phone (760) 560-1300 Fax (760) 560-1301 email vccsales@vccite.com
	FINISH SEE NOTES	TITLE: 5MM ROUND LOW PROFILE FRESNEL LENS
THIRD ANGLE PROJECTION <small>THE INFORMATION CONTAINED IN THIS DRAWING IS THE SOLE PROPERTY OF VISUAL COMMUNICATIONS COMPANY, INC. REPRODUCTION IN PART OR AS A WHOLE WITHOUT THE WRITTEN CONSENT OF VISUAL COMMUNICATIONS COMPANY, INC. IS PROHIBITED.</small>	APPROVAL DRAWN: SMU 4-23-10 CHECKED: DZ 4-23-10 DO NOT SCALE DRAWING	DATE DATE DATE
SIZE DWG. NO. B CLB 300 XXX		REV 001
SCALE: 1:1		SHEET 1 OF 1

8 7 6 5 4 3 2 1