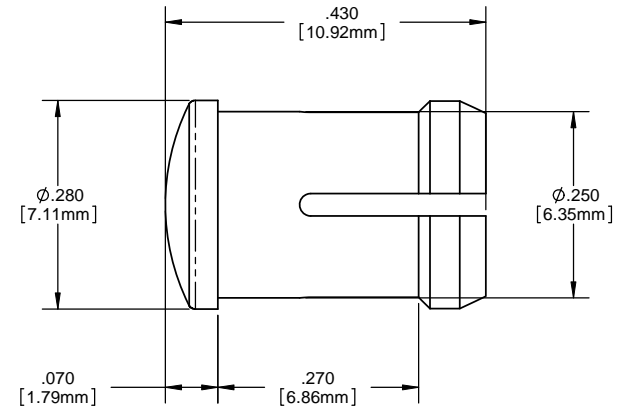
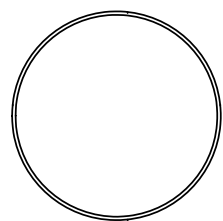
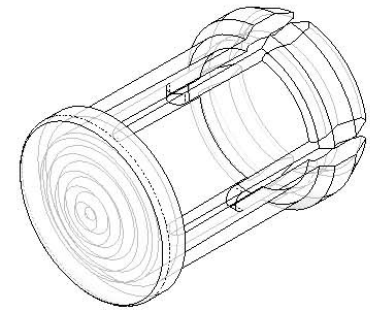
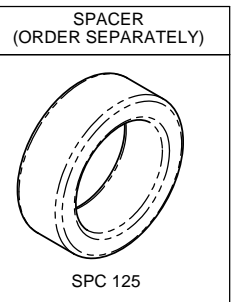


8 7 6 5 4 3 2 1

**NOTES:**

- MOUNTING:** Mounts in a  $\phi .250 \pm .002$  [ $\phi 6.35\text{mm} \pm .05$ ] panel hole on .375 [9.5mm] centers. Panel thickness .031 [.8 mm] to .250 [6.35mm]. Panel hole should be deburred, but not chamfered.
- ASSEMBLY:** Insert lens through panel hole, (for thin panels less than .188 [4.75mm] thick, slide SPC 125 spacer on back of lens), and insert LED into lens.
- MATERIAL:** Polycarbonate, UL 94-V2  
GLO Series- Polycarbonate & Acrylic blend
- U.S. & Foreign Pat. Issued & Pend.

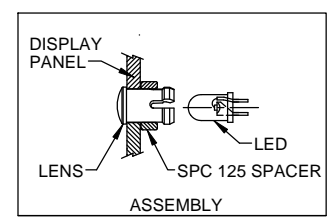
REVISIONS				
ECN#	REV.	DESCRIPTION	DATE	INITIALS
	1	VARIOUS	5-91	JS
	2	ADD GLO SERIES	1-6-09	JG
	3	REMOVE RNG 268, ADD UL RATING TO MATERIAL	9-16-09	AZ
	001	REVISED PER ECR111009AZ01	4-23-10	SMU



ORDERING CODE : **CLB 300 XXX**

MODEL

LENS COLOR	
RTP	RED TRANSPARENT
ATP	AMBER TRANSPARENT
GTP	GREEN TRANSPARENT
BTP	BLUE TRANSPARENT
YTP	YELLOW TRANSPARENT
CTP	CLEAR TRANSPARENT
GLO	WHITE TRANSLUCENT



<small>UNLESS OTHERWISE SPECIFIED DIMENSIONS ARE IN INCHES</small> ANGLES DECIMALS ±1° FINISH .X ±.020 .XXX ±.010 XXX ±.005 <small>BREAK ALL CORNERS AND SHARP EDGES (R1/16")</small>	<b>MATERIAL</b> POLYCARBONATE, UL 94-V2	<b>VISUAL COMMUNICATIONS COMPANY, INC.</b> <small>190 Bosstick Boulevard, Suite 101 San Marcos, CA 92069 USA          Phone (760) 560-1300 Fax (760) 560-1301 email vccsales@vccite.com</small>										
	<b>FINISH</b> SEE NOTES	<b>TITLE:</b> 5MM ROUND LOW PROFILE FRESNEL LENS										
<small>THIRD ANGLE PROJECTION</small> 	<table border="1"> <tr> <th>APPROVAL</th> <th>DATE</th> </tr> <tr> <td>SMU</td> <td>4-23-10</td> </tr> </table>	APPROVAL	DATE	SMU	4-23-10	<table border="1"> <tr> <td>SIZE</td> <td>DWG. NO.</td> <td>REV</td> </tr> <tr> <td><b>B</b></td> <td><b>CLB 300 XXX</b></td> <td><b>001</b></td> </tr> </table>	SIZE	DWG. NO.	REV	<b>B</b>	<b>CLB 300 XXX</b>	<b>001</b>
APPROVAL	DATE											
SMU	4-23-10											
SIZE	DWG. NO.	REV										
<b>B</b>	<b>CLB 300 XXX</b>	<b>001</b>										
<small>PROPRIETARY AND CONFIDENTIAL. THE INFORMATION CONTAINED IN THIS DRAWING IS THE SOLE PROPERTY OF VISUAL COMMUNICATIONS COMPANY, INC. REPRODUCTION IN PART OR AS A WHOLE WITHOUT THE WRITTEN CONSENT OF VISUAL COMMUNICATIONS COMPANY, INC. IS PROHIBITED.</small>	<table border="1"> <tr> <td>CHECKED:</td> <td>DZ</td> <td>4-23-10</td> </tr> </table>	CHECKED:	DZ	4-23-10	<table border="1"> <tr> <td>SCALE: 1:1</td> <td>SHEET 1 OF 1</td> </tr> </table>	SCALE: 1:1	SHEET 1 OF 1					
CHECKED:	DZ	4-23-10										
SCALE: 1:1	SHEET 1 OF 1											
<small>DO NOT SCALE DRAWING</small>												

8 7 6 5 4 3 2 1