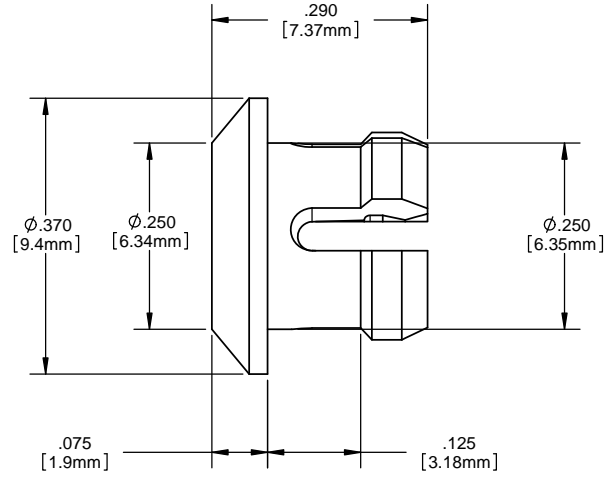
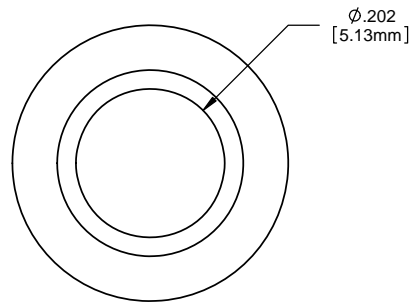
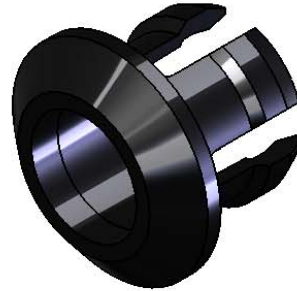


- NOTES:**
1. MOUNTING: MOUNTS IN A $\phi .250 \pm .002$ [$\phi 6.35\text{mm} \pm .05$] PANEL HOLE ON $.375$ [9.5mm] CENTERS
 2. PANEL THICKNESS: $.031$ [$.8\text{mm}$] TO $.125$ [3.18mm]
 3. PANEL HOLE SHALL BE DEBURRED, BUT NOT CHAMFERED
 4. ASSEMBLY: INSERT CLIP MOUNT THROUGH PANEL HOLE. INSERT LED THROUGH CLIPMOUNT. SLIDE SPACER OVER CLIPMOUNT.
 5. U.S. AND FOREIGN PATENT ISSUED

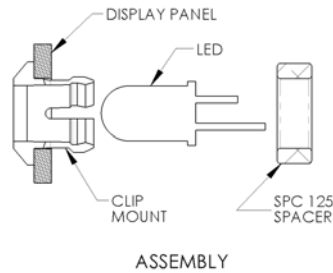
SPACER
(ORDER SEPERATELY)



SPC 125



ORDERING CODE : **CLP 127 BLK**



DIMENSION STYLE: INCHES (MM) GENERAL TOLERANCES UNLESS OTHERWISE SPECIFIED		APPROVAL		DATE	 OPTOELECTRONICS <small>190 BOSSTICK BLVD. SUITE 101 SAN MARCOS, CA 92069 U.S.A. PHONE: (760) 560-1300, FAX: (760) 560-1301 EMAIL: vccsales@vccite.com</small>
INCHES	MM	DRAWN	SMU	6-20-10	
X	± .020 ± .508	CHECKED	DPZ	6-20-10	
XX	± .010 ± .254				
XXX	± .005 ± .127				
ANGLE 1					
BREAK ALL CORNERS AND ROUNDS "RISES 60° MAX"		MATERIAL		TITLE:	
THIRD ANGLE PROJECTION		POLYCARBONATE, BLACK UL 94-V2		CLIPLITE® CLP 127 MOUNT	
<small>THE INFORMATION CONTAINED IN THIS DRAWING IS THE SOLE PROPERTY OF VISUAL COMMUNICATIONS COMPANY, INC. ANY REPRODUCTION IN PART OR AS A WHOLE WITHOUT THE WRITTEN PERMISSION OF VISUAL COMMUNICATIONS COMPANY, INC IS PROHIBITED.</small>		FINISH		SIZE	
		SEE NOTES		DWG. NO.	
DO NOT SCALE DRAWING				SCALE: 6:1	
				REV 002	
				SHEET 1 OF 1	