

MODEL: CLS0501M-L152 | **DESCRIPTION:** SPEAKER**FEATURES**

- 50 mm
- round frame
- 0.2 W
- 8 Ω
- neodymium magnet
- PET cone
- wire leads

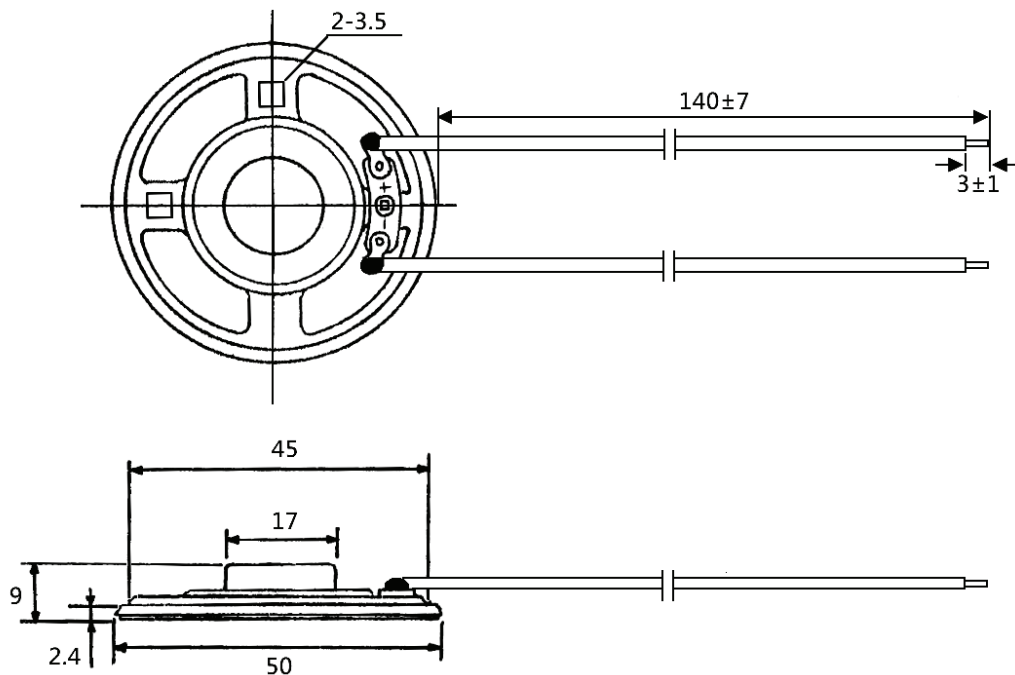
**SPECIFICATIONS**

parameter	conditions/description	min	typ	max	units
input power			0.2	0.5	W
impedance	at 0.8 kHz, 1.0 V	6.8	8	9.2	Ω
resonant frequency (Fo)	at 1.0 V	480	600	720	Hz
frequency response		Fo		12,000	Hz
sound pressure level	at 0.2 W, 50 cm, avg at 1.0, 1.4, 1.7, 2.0 kHz	81	84	87	dB
distortion	at 1 kHz, 0.2 W			5	%
buzz, rattle, etc.	must be normal at sine wave			1.26	V
dimensions	50 x 9				mm
magnet	Nd-Fe-B				
cone material	PET				
terminal	wire leads				
weight			13.1		g
operating temperature		-25		60	$^{\circ}$ C
hand soldering	for maximum 3 seconds	360	380	400	$^{\circ}$ C
RoHS	yes				

MECHANICAL DRAWING

units: mm
tolerance: ± 0.5 mm

wire: UL1007, 26 AWG



FREQUENCY RESPONSE CURVE

