

MODEL: CLS0571M-L152 | **DESCRIPTION:** SPEAKER**FEATURES**

- 57 mm
- round frame
- 0.2 W
- 8 Ω
- neodymium magnet
- PET cone

**SPECIFICATIONS**

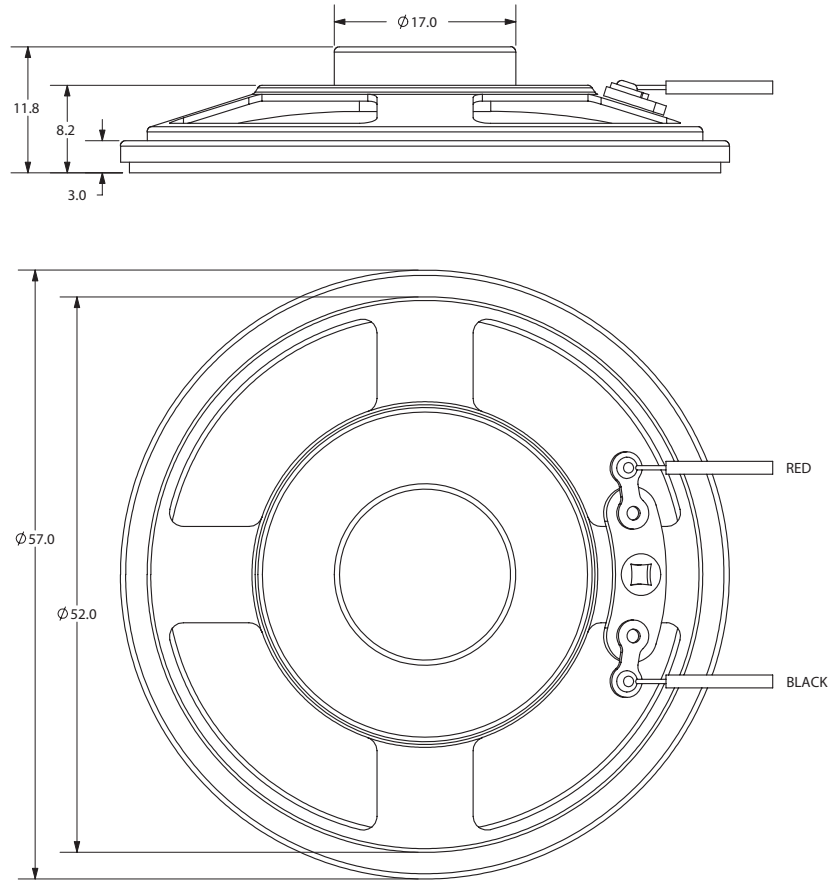
| parameter | conditions/description | min | typ | max | units |
|-------------------------|--|-----|------|--------|--------------|
| input power | | | 0.2 | 0.5 | W |
| impedance | at 0.8 kHz, 1.0 V | 6.8 | 8 | 9.2 | Ω |
| resonant frequency (Fo) | at 1.0 V | 430 | 530 | 630 | Hz |
| frequency response | | Fo | | 20,000 | Hz |
| sound pressure level | 0.2 W, 50 cm ave., at 1.0, 1.4, 1.7, 2.0 kHz | 86 | 89 | 92 | dB |
| buzz, rattle, etc. | must be normal at sine wave | | 1.3 | | V |
| dimensions | \varnothing 57 x 11.8 | | | | mm |
| magnet | size: 12.5 x 1.5 mm | | | | |
| cone material | PET | | | | |
| terminal | wire leads | | | | |
| weight | | | 14.7 | | g |
| operating temperature | | -25 | | 60 | $^{\circ}$ C |
| hand soldering | for maximum 3 seconds | 360 | 380 | 400 | $^{\circ}$ C |
| RoHS | yes | | | | |

Notes: 1. All specifications measured at 15-35 $^{\circ}$ C, humidity at 25-75%, under 86-106 kPa pressure, unless otherwise noted.

MECHANICAL DRAWING

units: mm
tolerance: ±0.2 mm

wire: UL1007, 26 AWG
length: 152 mm



FREQUENCY RESPONSE CURVE

| parameter | conditions/description |
|-----------------------|------------------------|
| potentiometer range | 50 dB |
| rectifier | RMS |
| lower limit frequency | 20 Hz |
| wr. speed | 100 mm/sec |
| zero level | 60 dB |

