

CABLE PULL NOMENCLATURE

CLS

| BODY CODE | |
|-----------|---------|
| A | PG13.5 |
| B | 1/2 NPT |
| C | 20MM |
| D | PF 1/2 |
| E | 3/4 NPT |

| BASIC SWITCH CODE | |
|-------------------|---|
| 1 | 1NC DIRECT ACTING |
| 2 | 1NO - 1NC SNAP ACTION (HDLs) MOMENTARY HEADS ONLY |
| 3 | 1NO - 1NC SNAP ACTION (GLS) MOMENTARY HEADS ONLY |
| 4 | 1NO - 1NC DIRECT ACTING |
| 5 | 1NO - 1NC DIRECT ACTING 240V NEON INDICATOR |
| 6 | 1NO - 1NC DIRECT ACTING 120V NEON INDICATOR |
| 7 | 1NO - 1NC DIRECT ACTING 24V LED INDICATOR |
| 8 | 2NC DIRECT ACTING |
| 9 | SPECIAL BASIC SEE LETTERED MOD CODES |

| OPERATING HEAD CODE | |
|---------------------|--|
| A | "MAINTAINED" |
| B | "MOMENTARY" |
| N | "MOMENTARY" W/O BROKEN CABLE DETECTION |
| T | "MAINTAINED" SNAP ACTION |

| MODIFICATION CODES * | |
|----------------------|--|
| B | 1NO-3NC SLOW ACTING |
| E | 2NO-2NC SLOW ACTING |
| G | 5-PIN CONNECTOR BRAD HARRISON P/N 41310 OR EQUIV. |
| N | 240V NEON INDICATOR W/SPEC. BASIC |
| M | 120V NEON INDICATOR W/SPEC. BASIC |
| P | 24V LED INDICATOR W/SPEC. BASIC |
| 1 | HEAD ORIENTED LEFT |
| 2 | HEAD ORIENTED FRONT |
| 3 | HEAD ORIENTED REAR |

*WHEN MORE THAN ONE MODIFICATION CODE IS SPECIFIED THEY SHALL BE LISTED IN ASCENDING ALPHA-NUMERIC ORDER

NOTE:

- 1 - COVER AND OPERATING HEAD ATTACHED WITH "T-15" TAMPER PROOF TORX DRIVE SCREWS
- 2 - HARDWARE PACKET CONSISTING OF TURNBUCKLE, NUTS, END SPRING, AND "T-15" TAMPER PROOF TORX DRIVER BIT INCLUDED WITH PRODUCT
- 3 - OPERATING HEAD MAY BE POSITIONED IN ANY OF FOUR DIRECTIONS
- 4 - NOMENCLATURE IS PROVIDED FOR IDENTIFICATION OF EXISTING LISTINGS.
NOT ALL COMBINATIONS ARE POSSIBLE

| | |
|---|--------------|
| THIRD ANGLE PROJECTION | |
| | |
| SCALE | NONE |
| DO NOT SCALE PRINT | |
| UNLESS OTHERWISE SPECIFIED TOLERANCES ARE | |
| ONE PLACE | (.0) ±.030 |
| TWO PLACE | (.00) ±.015 |
| THREE PLACE | (.000) ±.005 |
| ANGLES | ± |
| WEIGHT | |

CATALOG LISTING
CLS SERIES CHART 1
 PAGE 1 OF 3
 RELEASE NO. PR-21597
 REPLACES
 CHECK
 REVISIONS

| | | | |
|---|----------|-----|-----------|
| A | CO-83842 | GLH | 7 DEC 88 |
| B | CO-84714 | GLH | 7 APR 89 |
| C | CO-85788 | MAM | 25 OCT 89 |
| D | CO-85967 | DCS | 3 MAY 00 |
| E | 201010 | TSM | 10/14/00 |
| F | 201144 | GLH | 28 SEP 00 |
| G | 202321 | DCS | 27 FEB 01 |

 CHECK
 DRAWN
 5 APR 96
 LJK
 7 DEC 98
 LJK
 27 FEB 01
 PTC/CAD
 LJK

CLS SERIES CHART 1
 PAGE 2 OF 3
 RELEASE NO. CO-93942
 REPLACES
 DRAWING NUMBER
 ISSUE 9
 CHECK
 REVISIONS
 A CO-95788
 MAN 22 OCT 99
 B CO-95967
 DCS 3 MAY 00
 C 201010
 YSM 10AUG00
 D 201144
 GLH 26SEP00
 E 202321
 DCS 27 FEB 01
 CHECK
 DRAWN
 MAM 22 OCT 99
 CHECK
 PTC/CAD 3D
 DRAWN
 MAM 22 OCT 99
 CHECK

4.674±.060

2.344±.006

2.77

3.52±.06

2X Ø.203 MTG HOLE

INDICATOR VERSION ONLY

2X 10-32 UNF-2B TAPPED FROM REAR ONLY, .500 MIN DEEP

2X "T-15" TORX DRIVE SECURITY SCREWS

CONNECTOR VERSION ONLY

1.156±.006

1.62

2.99±.03

MTG PADS

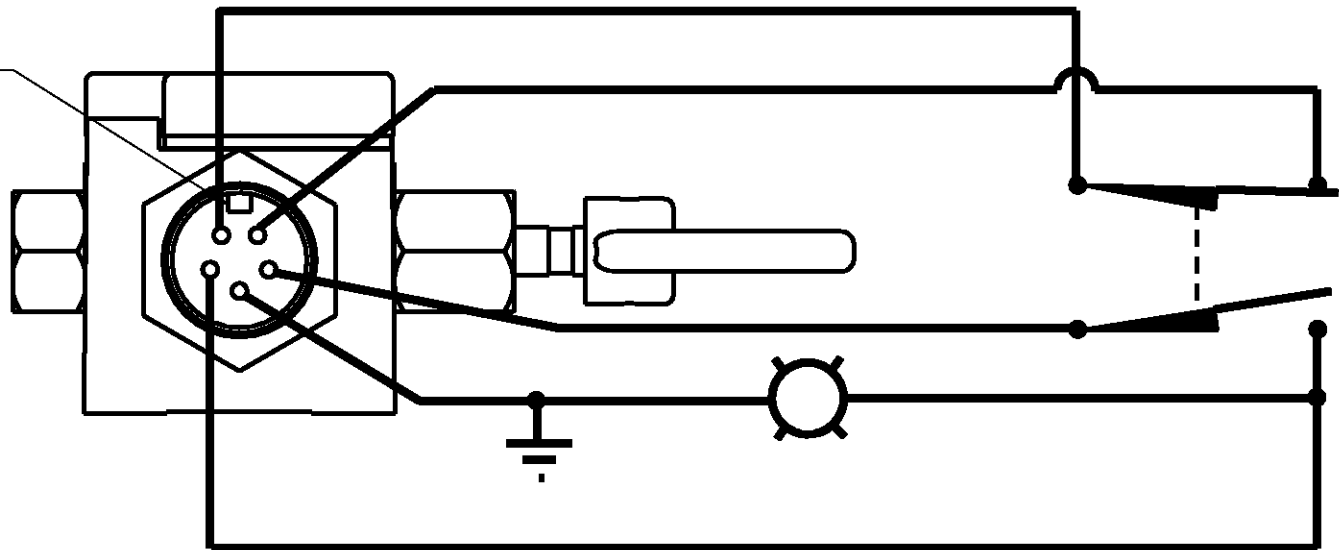
CONDUIT OPENING

.800

1.535±.020

1.773±.030

KEYWAY



MODIFICATION CODE G
WIRING DIAGRAM

WITH OPERATING

1.37±.02

.28±

5.553±.060

WITH OPERATING

WITH OPERATING HEAD CODES "A" & "N"

THIS DRAWING COVERS A PROPRIETARY ITEM AND IS THE PROPERTY OF MICRO SWITCH, A HONEYWELL. THIS DRAWING IS NOT TO BE COPIED OR USED WITHOUT THE APPROVAL OF MICRO SWITCH.

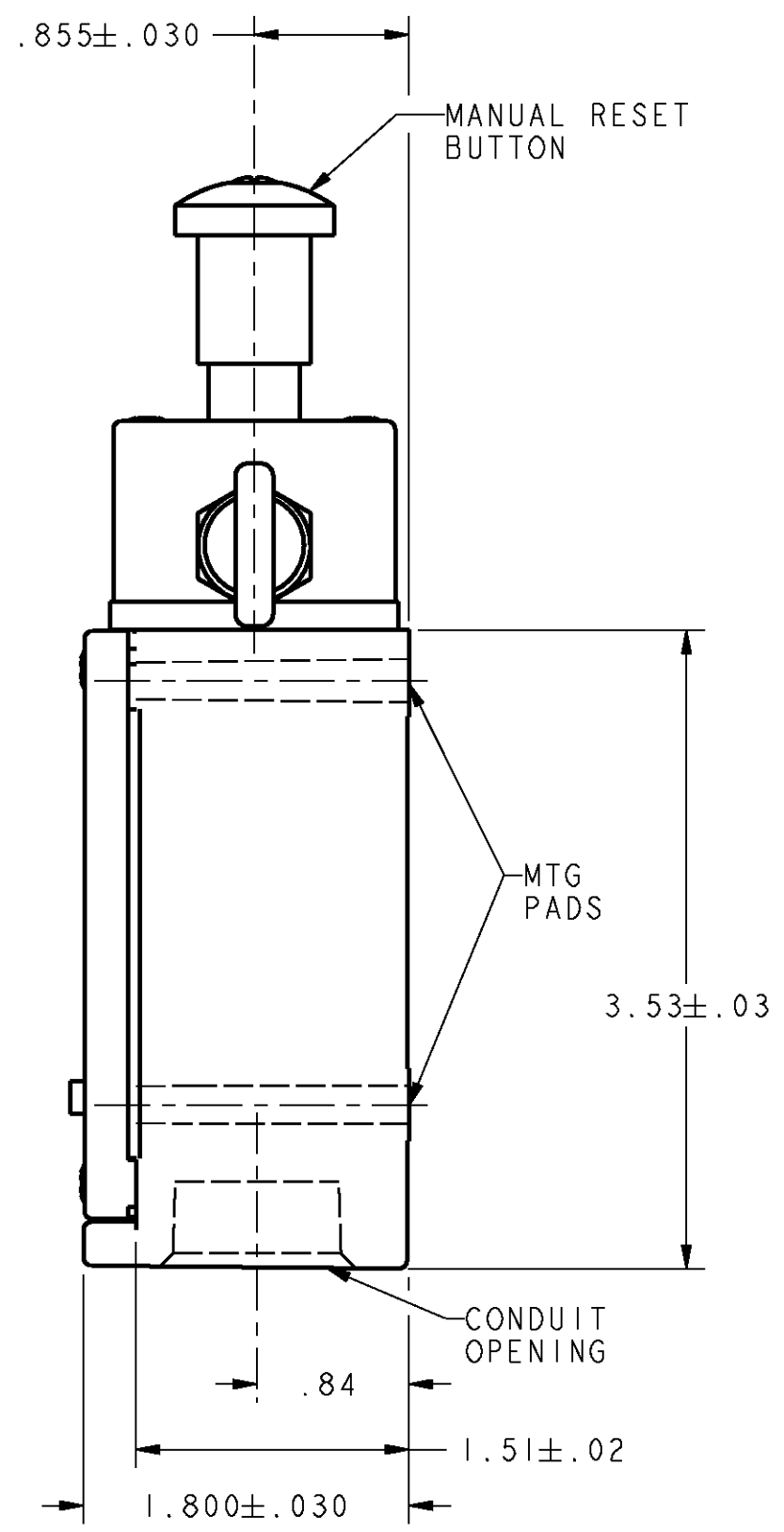
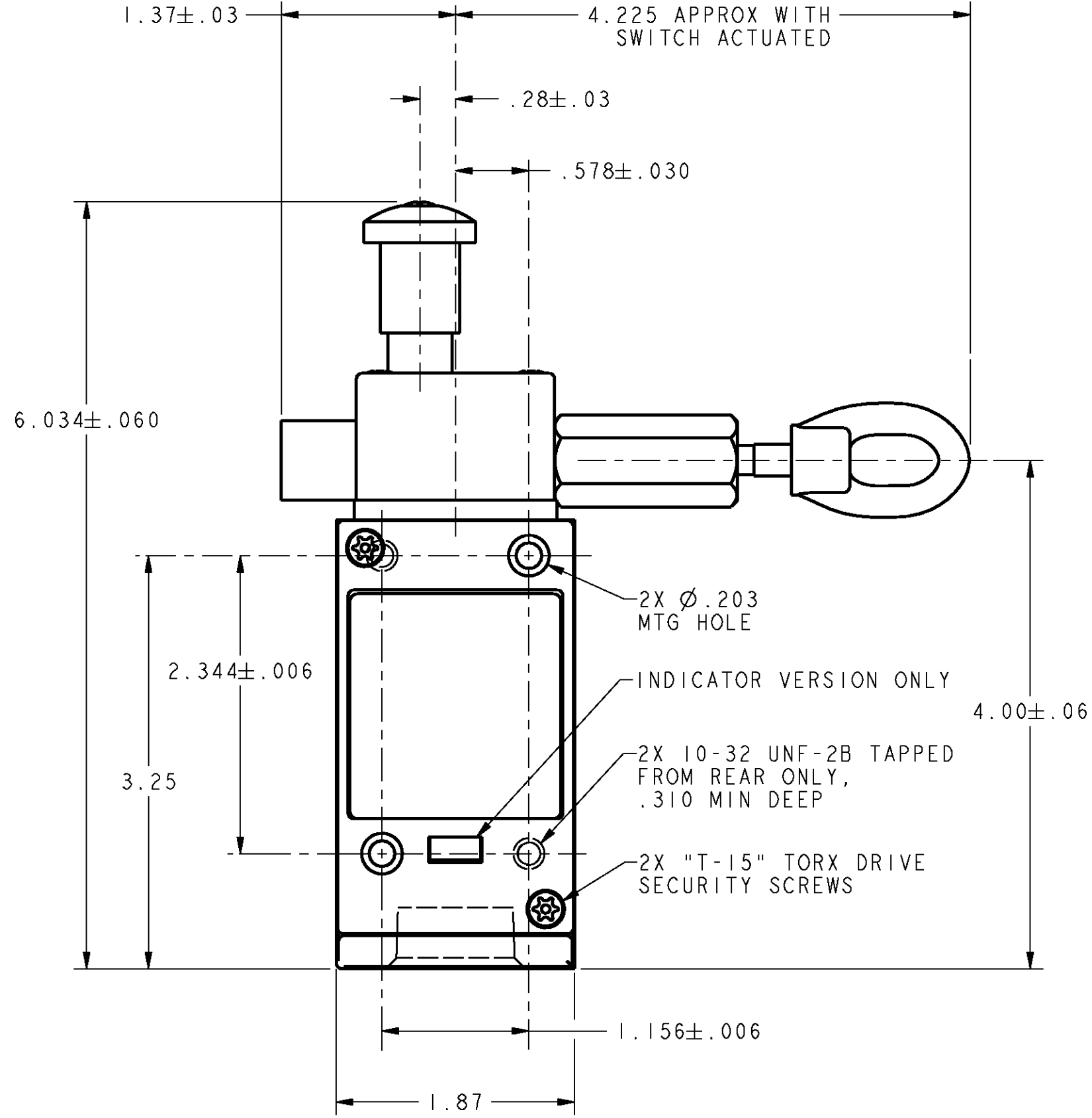
MICRO SWITCH
a Honeywell Division

SWITCH - ENCLOSED

CLS SERIES

ANSI Y14.5M-1982 APPLIES

FED. MFG. CODE 91929



5.155±.060

WITH OPER

WITH OPERATING HEAD CODE "T"

THIS DRAWING COVERS A PROPRIETARY ITEM AND IS THE PROPERTY OF MICRO SWITCH. A HONEYWELL. THIS DRAWING IS NOT TO BE COPIED OR USED WITHOUT THE APPROVAL OF M

MICRO SWITCH
a Honeywell Division
FED. MFG. CODE 91929

SWITCH - ENCLOSED

CLS SER

ANSI Y14.5M-1982 APPLIES

CABLE PULL NOMENCLATURE



| BODY CODE | |
|-----------|---------|
| A | PG13.5 |
| B | 1/2 NPT |
| C | 20MM |
| D | PF 1/2 |
| E | 3/4 NPT |

| BASIC SWITCH CODE | |
|-------------------|---|
| 1 | 1NC DIRECT ACTING |
| 2 | 1NO - 1NC SNAP ACTION (HDLS) MOMENTARY HEADS ONLY |
| 3 | 1NO - 1NC SNAP ACTION (GLS) MOMENTARY HEADS ONLY |
| 4 | 1NO - 1NC DIRECT ACTING |
| 5 | 1NO - 1NC DIRECT ACTING 240V NEON INDICATOR |
| 6 | 1NO - 1NC DIRECT ACTING 120V NEON INDICATOR |
| 7 | 1NO - 1NC DIRECT ACTING 24V LED INDICATOR |
| 8 | 2NC DIRECT ACTING |
| 9 | SPECIAL BASIC SEE LETTERED MOD CODES |

| OPERATING HEAD CODE | |
|---------------------|---|
| A | "MAINTAINED" |
| B | "MOMENTARY" |
| N | "MAINTAINED" W/O BROKEN CABLE DETECTION |
| T | "MAINTAINED" SNAP ACTION |

| MODIFICATION CODES * | |
|----------------------|---|
| B | 1NO-3NC SLOW ACTING |
| E | 2NO-2NC SLOW ACTING |
| G | 5-PIN CONNECTOR BRAD HARRISON P/N 41310 OR EQUIV. |
| N | 240V NEON INDICATOR W/SPEC. BASIC |
| M | 120V NEON INDICATOR W/SPEC. BASIC |
| P | 24V LED INDICATOR W/SPEC. BASIC |
| 1 | HEAD ORIENTED LEFT |
| 2 | HEAD ORIENTED FRONT |
| 3 | HEAD ORIENTED REAR |

*WHEN MORE THAN ONE MODIFICATION CODE IS SPECIFIED THEY SHALL BE LISTED IN ASCENDING ALPHA-NUMERIC ORDER

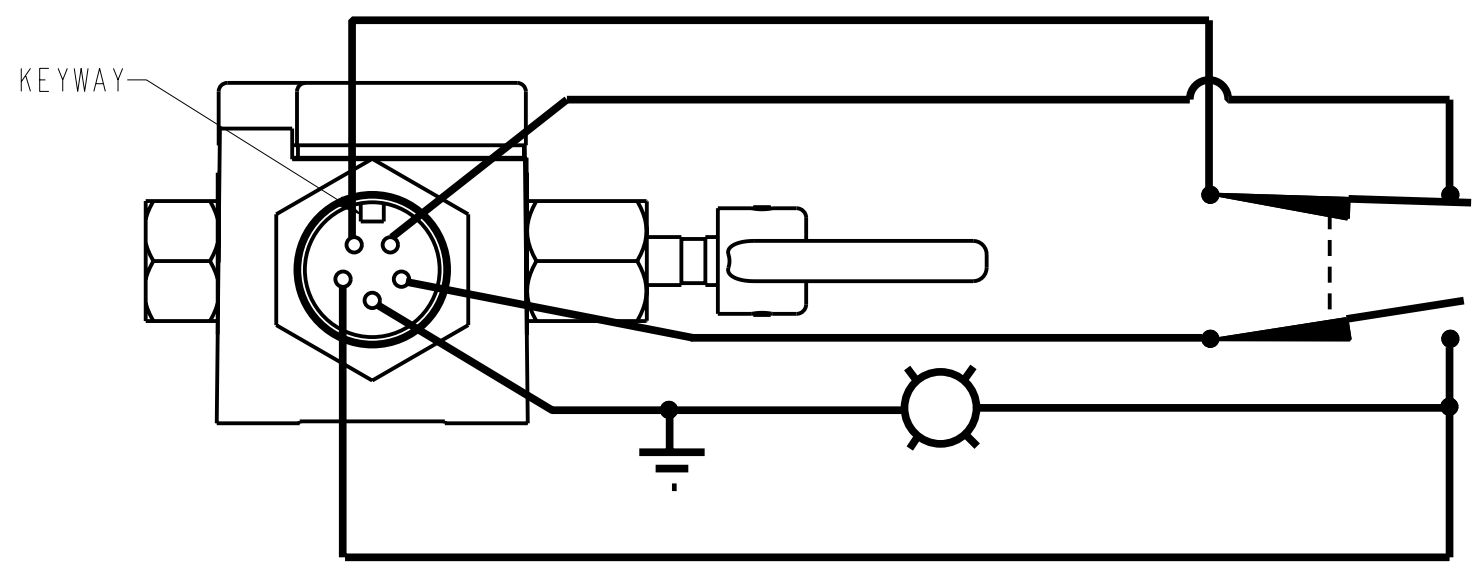
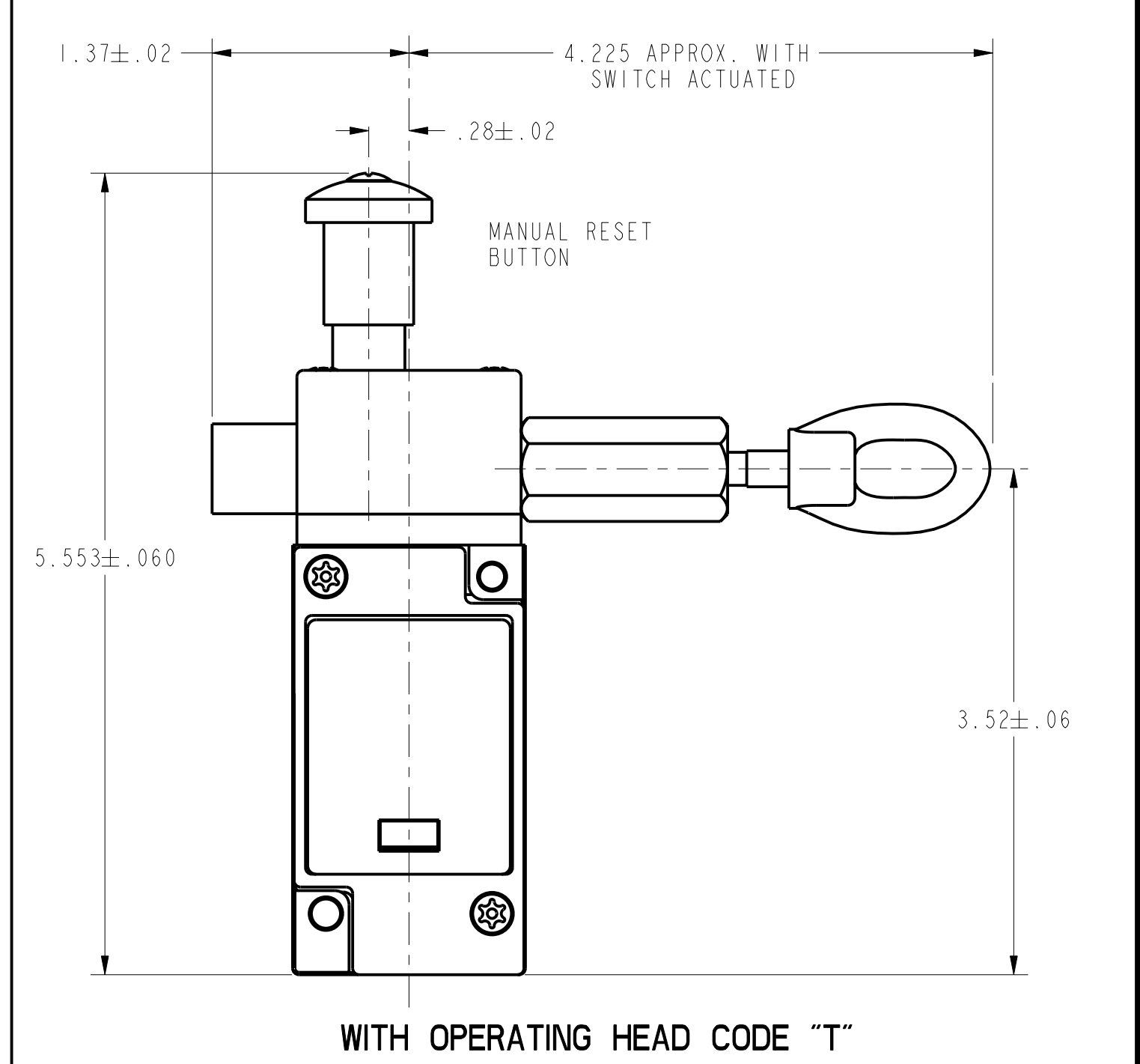
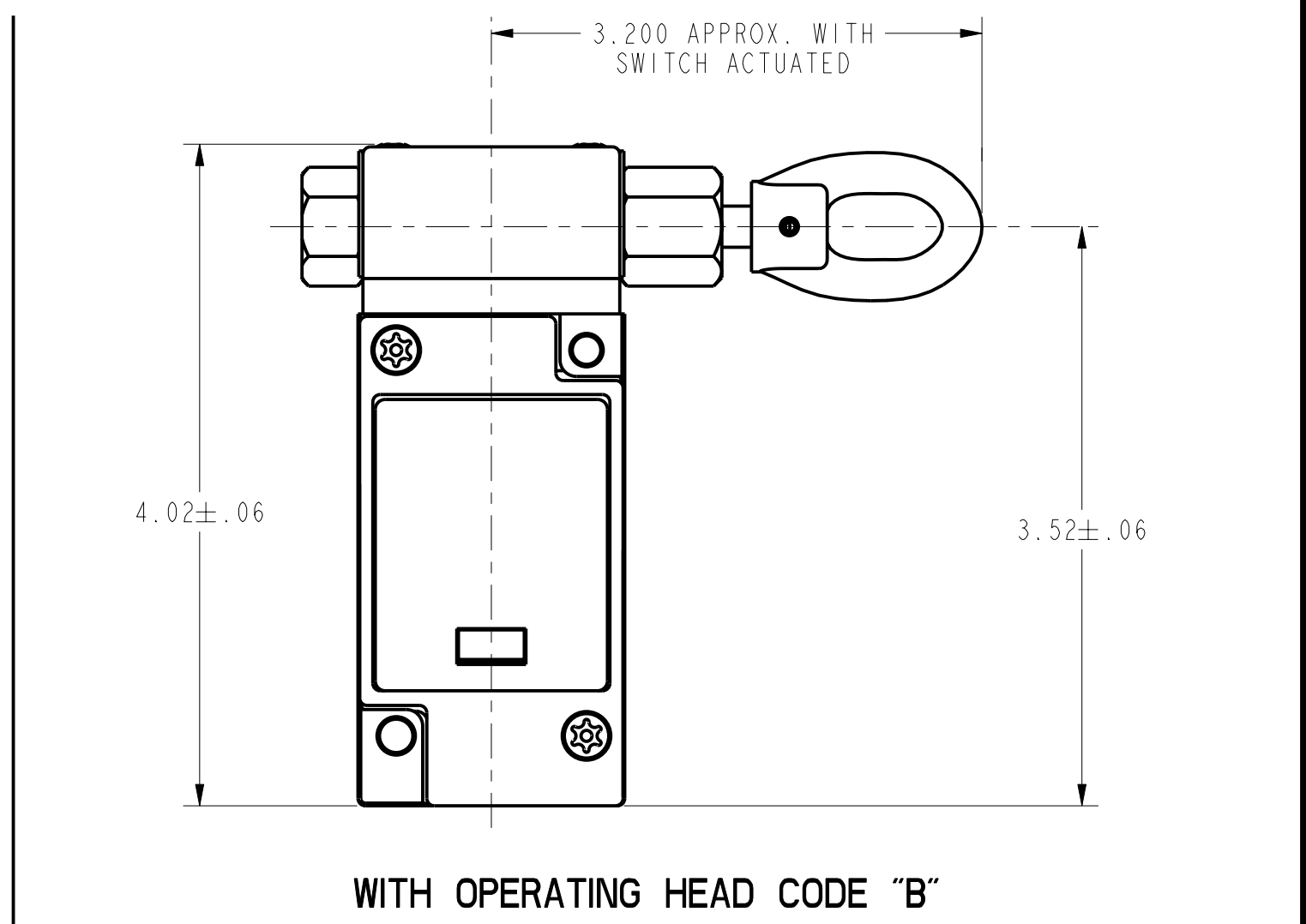
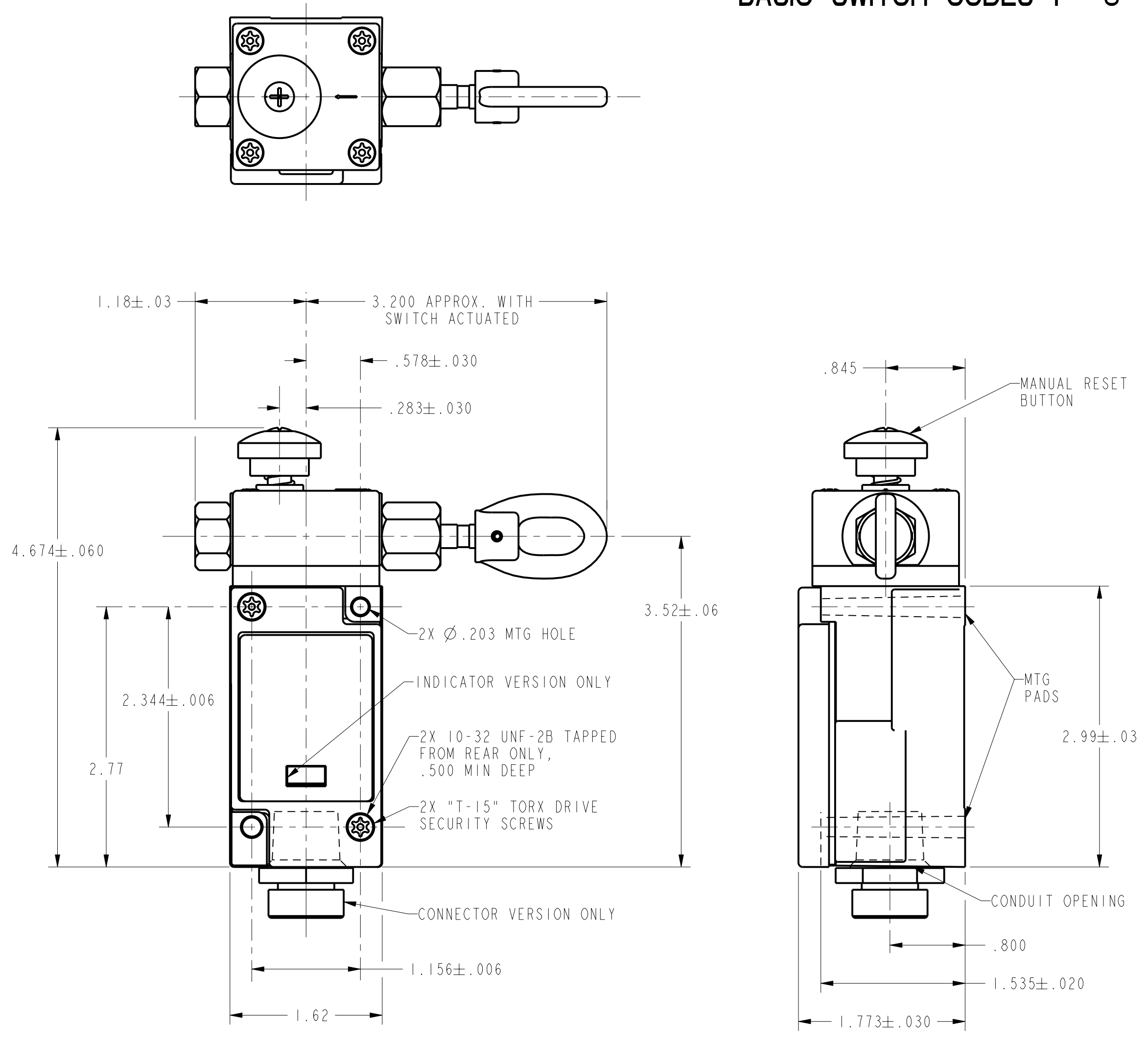
NOTE:

- 1 - COVER AND OPERATING HEAD ATTACHED WITH "T-15" TAMPER PROOF TORX DRIVE SCREWS
- 2 - HARDWARE PACKET CONSISTING OF TURNBUCKLE, NUTS, END SPRING, AND "T-15" TAMPER PROOF TORX DRIVER BIT INCLUDED WITH PRODUCT
- 3 - OPERATING HEAD MAY BE POSITIONED IN ANY OF FOUR DIRECTIONS
- 4 - NOMENCLATURE IS PROVIDED FOR IDENTIFICATION OF EXISTING LISTINGS. NOT ALL COMBINATIONS ARE POSSIBLE

| THIRD ANGLE PROJECTION | |
|---|--------------|
| SCALE | NONE |
| DO NOT SCALE PRINT | |
| UNLESS OTHERWISE SPECIFIED TOLERANCES ARE | |
| ONE PLACE | (.0) ±.030 |
| TWO PLACE | (.00) ±.015 |
| THREE PLACE | (.000) ±.005 |
| ANGLES | ± |
| WEIGHT | |

CATALOG LISTING
CLS SERIES CHART 1
 PAGE 1 OF 3
 RELEASE NO. PR-21597
 REPLACES
 ISSUE 14
 CHECK
 REVISIONS
 A 206479 TSM 19SEP02
 B 207283 GLH 27JAN03
 CHECK
 LJK 7 DEC 98
 CHECK
 LJK 5 APR 96
 DRAWN
 LJK
 PTC/CAD

BASIC SWITCH CODES 1 - 8



MODIFICATION CODE G WIRING DIAGRAM

WITH OPERATING HEAD CODES "A" & "N"

WITH OPERATING HEAD CODE "T"

| | | | |
|--------------------|----------------|---------------|----------------------|
| CLC SERIES CHART 1 | ISSUE 14 | REVISIONS | REPLACES |
| M | DRAWING NUMBER | A CO-95788 | CO-93942 |
| 14 | 14 | MAN 22 OCT 99 | 2 OF 3 |
| 14 | 14 | B CO-95967 | RELEASE NO. CO-93942 |
| 14 | 14 | DCS 3 MAY 00 | |
| 14 | 14 | C 201010 | |
| 14 | 14 | TSM 10AUG00 | |
| 14 | 14 | D 201144 | |
| 14 | 14 | GLH 26SEP00 | |
| 14 | 14 | E 202321 | |
| 14 | 14 | DCS 27 FEB 01 | |
| 14 | 14 | F 205423 | |
| 14 | 14 | GRY 22 APR 02 | |
| 14 | 14 | G 205798 | |
| 14 | 14 | TSM 17 JUN 02 | |
| 14 | 14 | H 205952 | |
| 14 | 14 | GLH 12 JUL 02 | |
| 14 | 14 | J 206479 | |
| 14 | 14 | TSM 19 SEP 02 | |
| 14 | 14 | K 207283 | |
| 14 | 14 | GLH 27 JAN 03 | |
| PTC/CAD 30 | DRAWN | | |
| MAM | 22 OCT 99 | CHECK | |

THIS DRAWING COVERS A PROPRIETARY ITEM AND IS THE PROPERTY OF MICRO SWITCH, A DIVISION OF HONEYWELL. THIS DRAWING IS NOT TO BE COPIED OR USED WITHOUT THE APPROVAL OF MICRO SWITCH.

MICRO SWITCH
a Honeywell Division

SWITCH - ENCLOSED

CATALOG LISTING
CLS SERIES CHART 1

ANSI Y14.5M-1982 APPLIES

FED. MFG. CODE 91929

| | |
|---|---------------|
| THIRD ANGLE PROJECTION | |
| SCALE FULL | |
| DO NOT SCALE PRINT | |
| UNLESS OTHERWISE SPECIFIED TOLERANCES ARE | |
| ONE PLACE | (.0) ± .030 |
| TWO PLACES | (.00) ± .015 |
| THREE PLACES | (.000) ± .005 |
| ANGLES | ± |
| WEIGHT | |