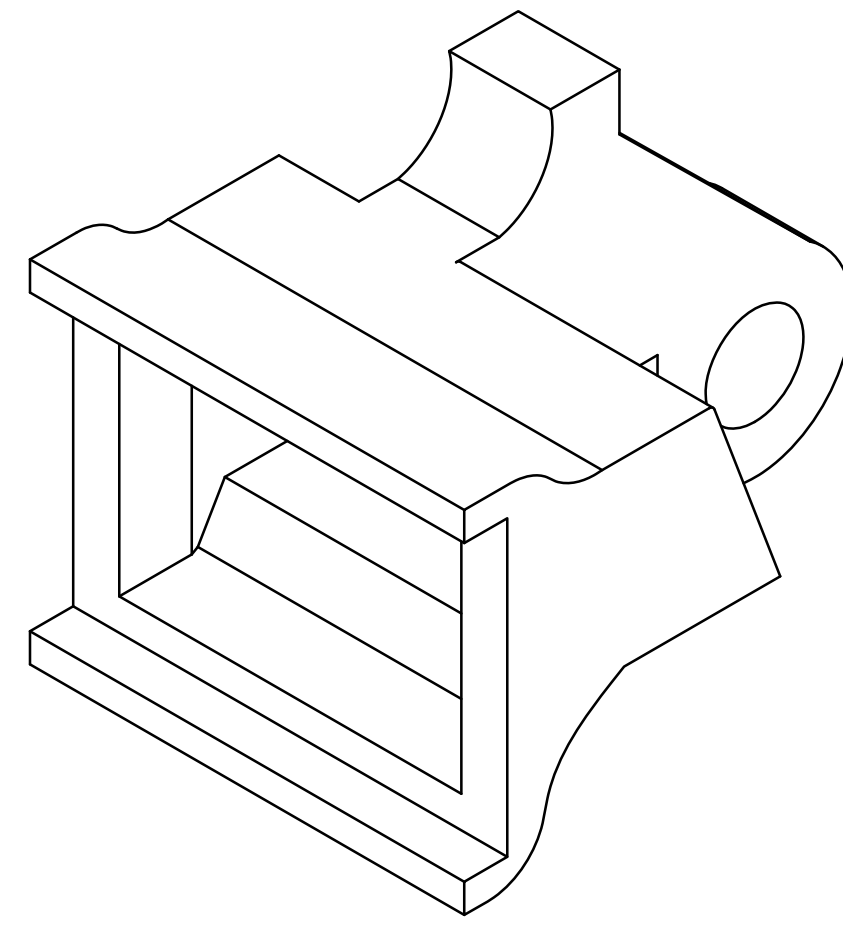
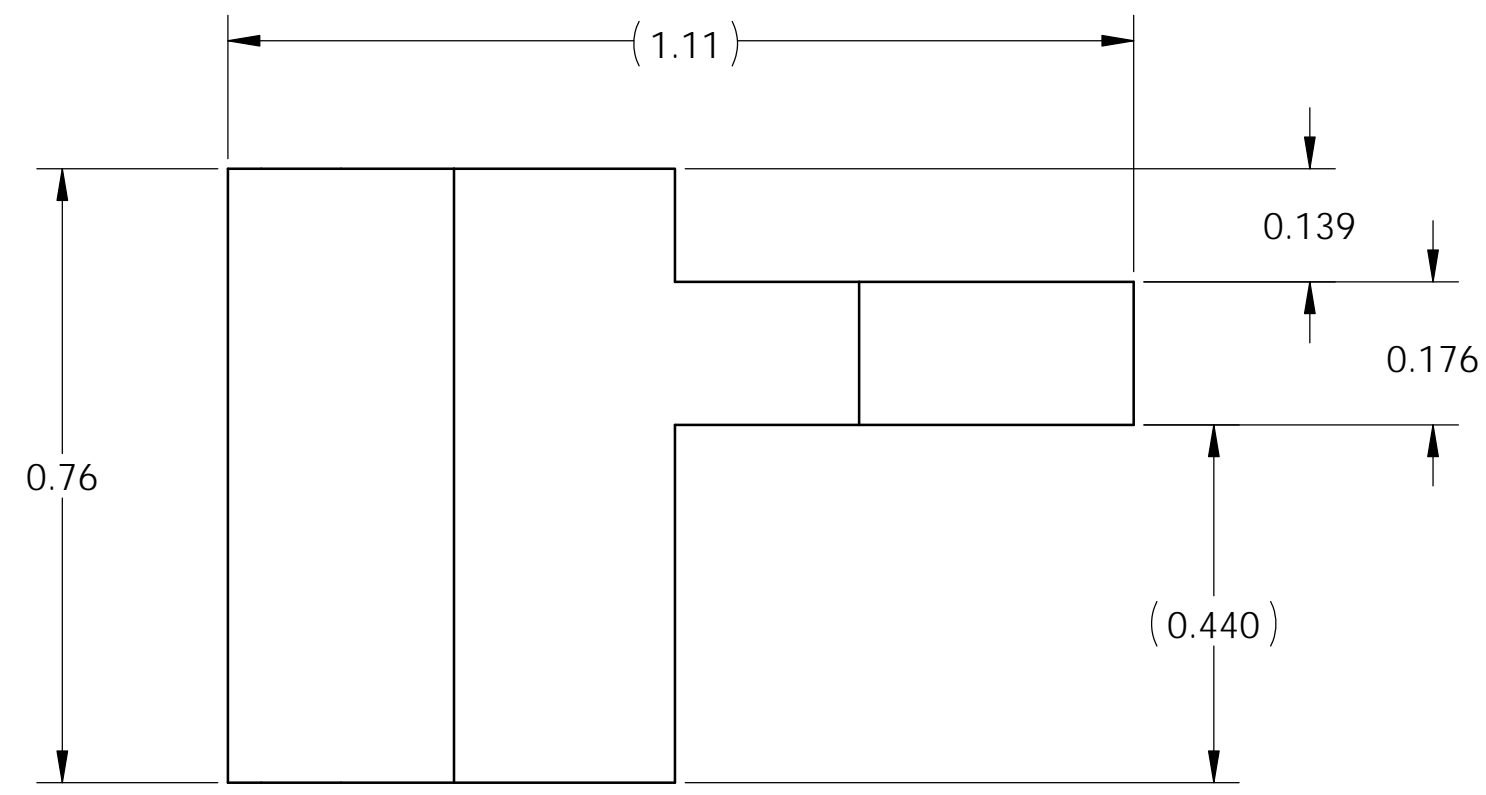
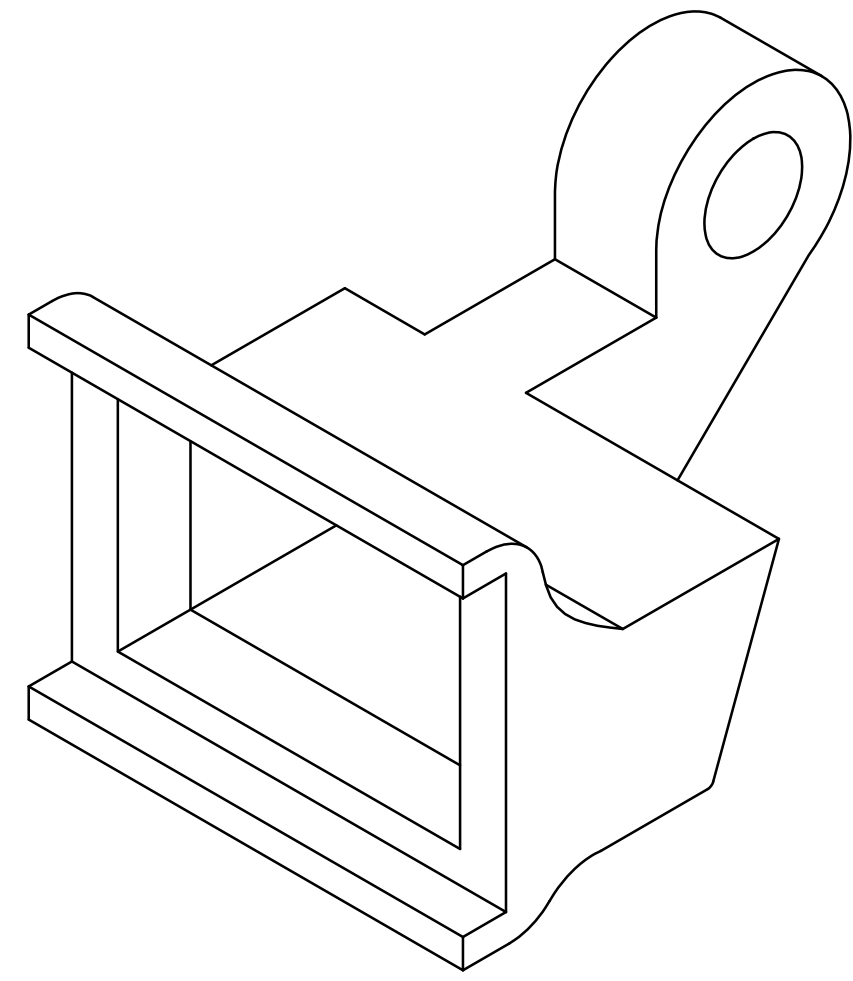
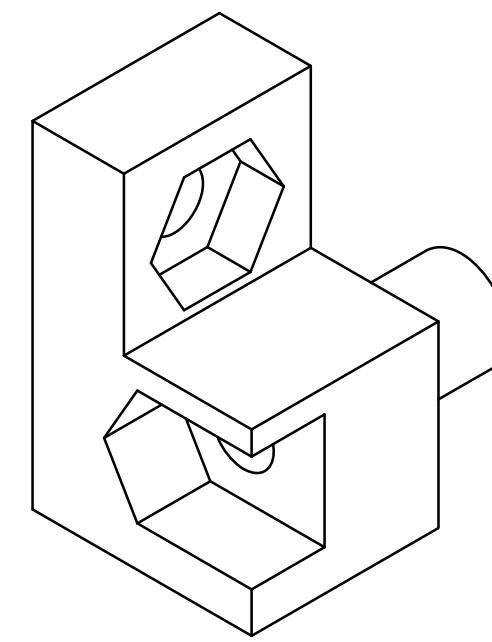


PROPRIETARY AND CONFIDENTIAL
 THE INFORMATION CONTAINED IN THIS DRAWING IS THE SOLE PROPERTY OF
 VECTOR ELECTRONICS & TECHNOLOGY, INC. ANY REPRODUCTION IN PART
 OR AS A WHOLE WITHOUT THE WRITTEN PERMISSION OF VECTOR ELECTRONICS
 & TECHNOLOGY, INC IS PROHIBITED.

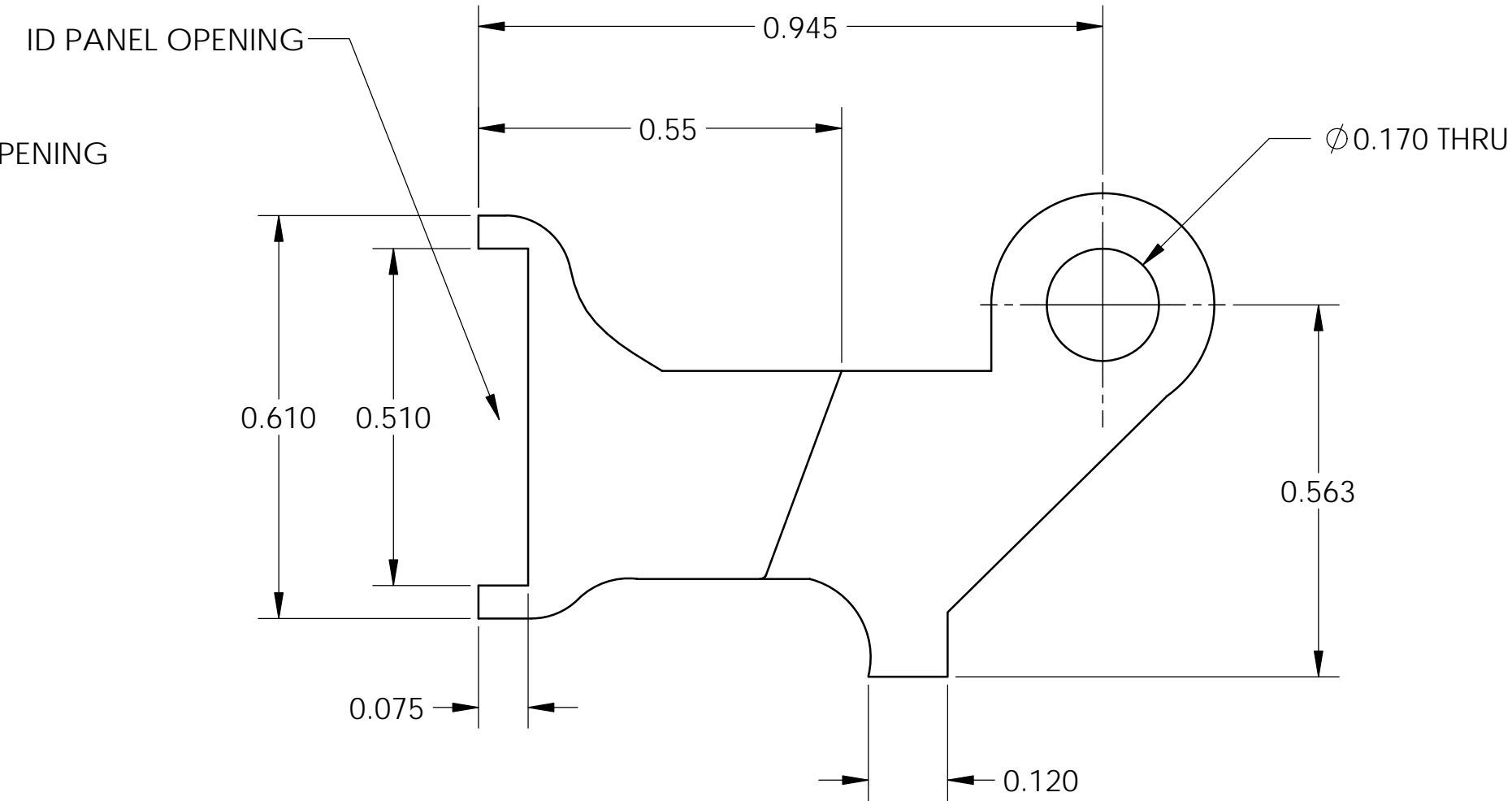
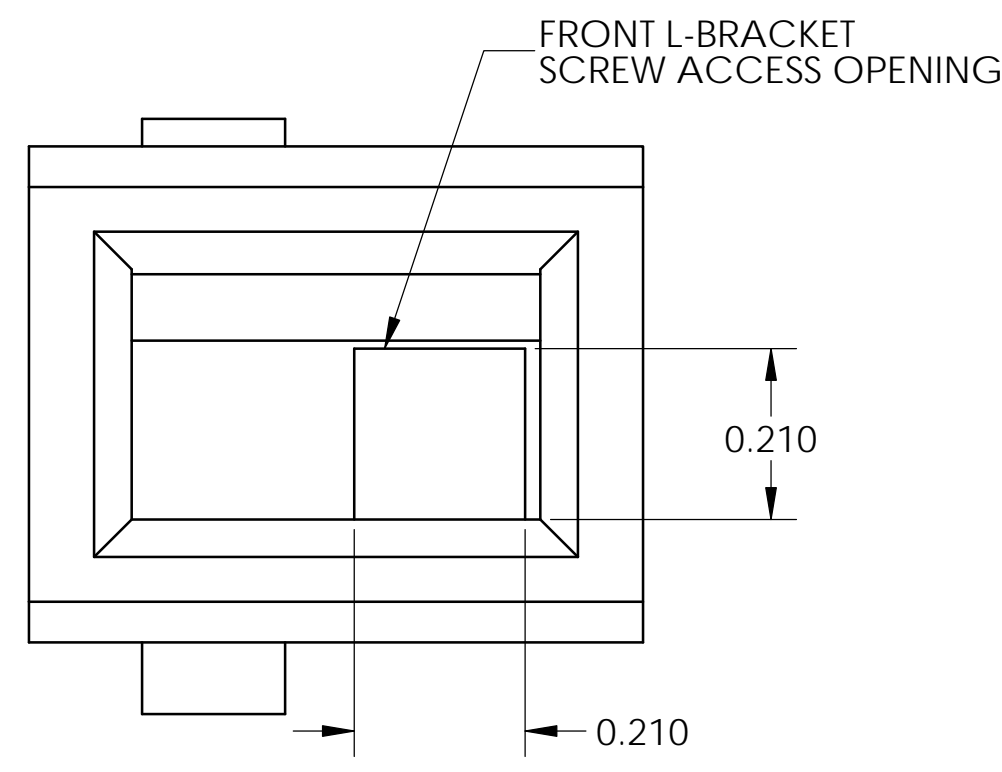
REVISIONS				
ZONE	REV	DESCRIPTION	DATE	APPROVED
ALL	A	INITIAL RELEASE	08/31/12	



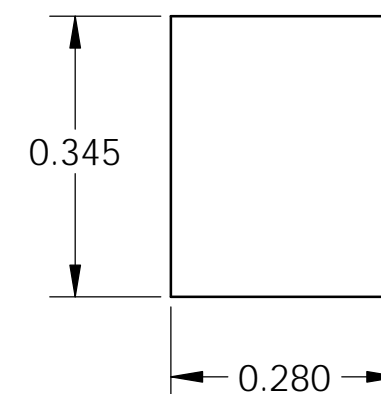
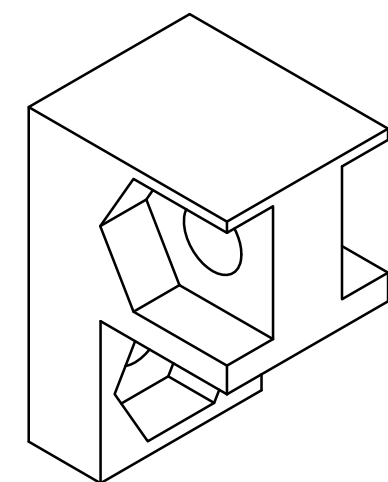
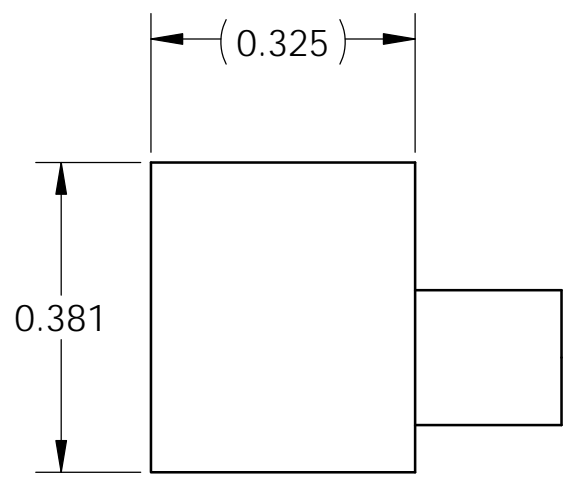
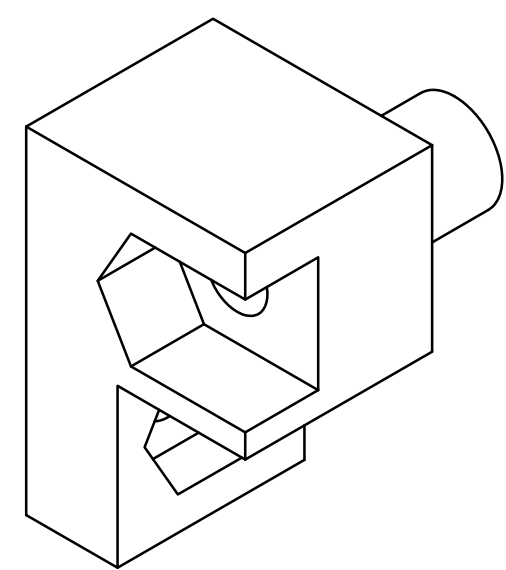
TOP EJECTOR HANDLE DETAIL
 MIRROR VIEW OF BOTTOM HANDLE



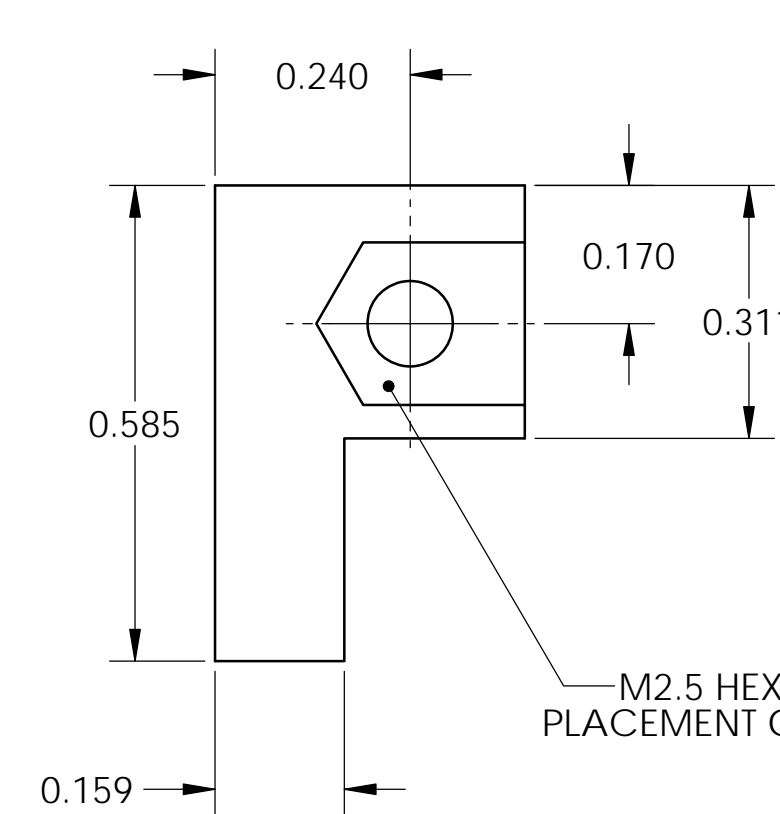
TOP SUPPORT BRACKET DETAIL
 MIRROR VIEW OF BOTTOM BRACKET



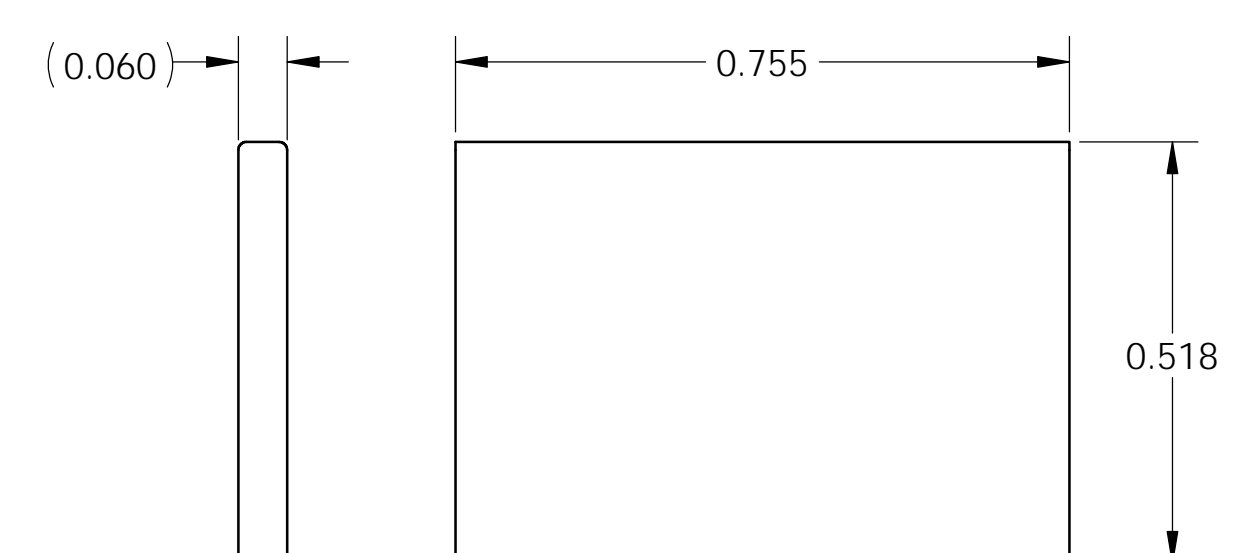
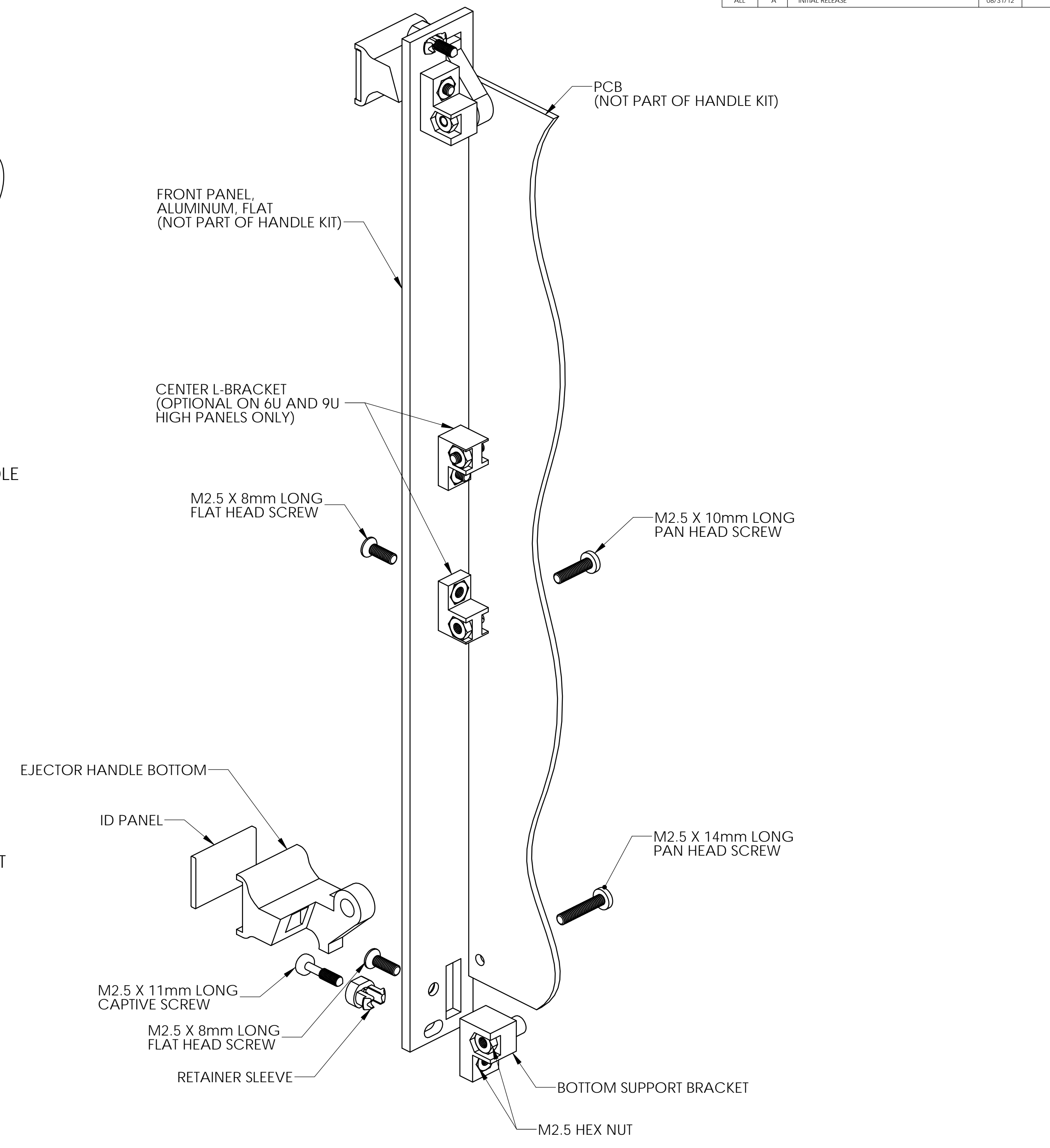
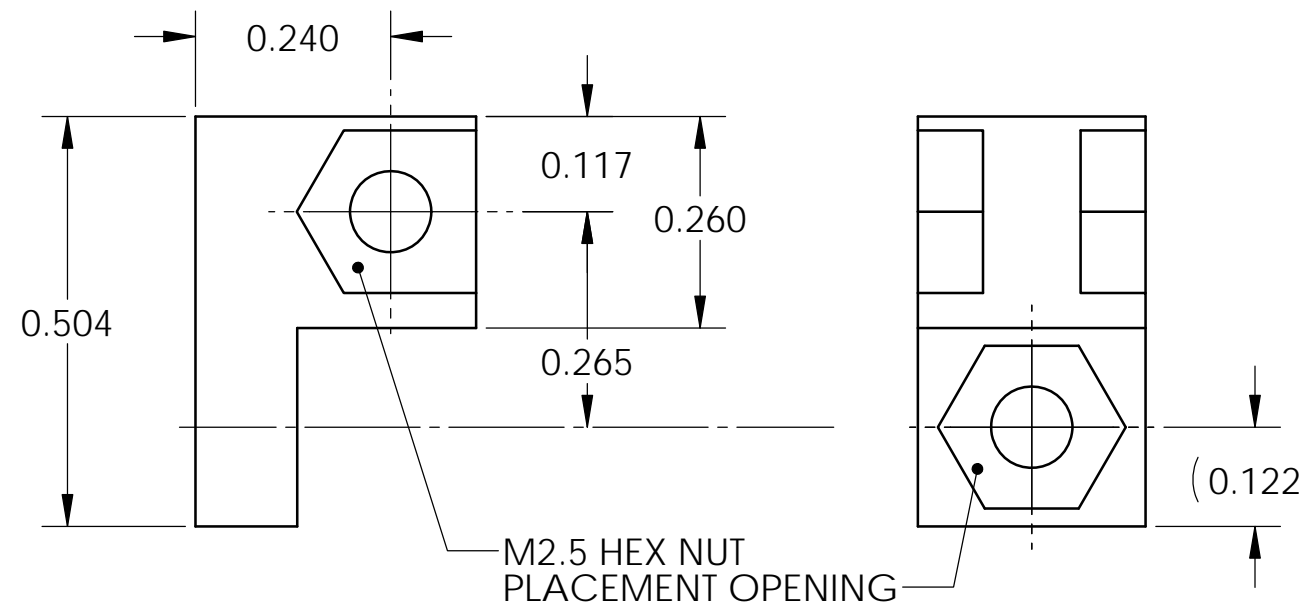
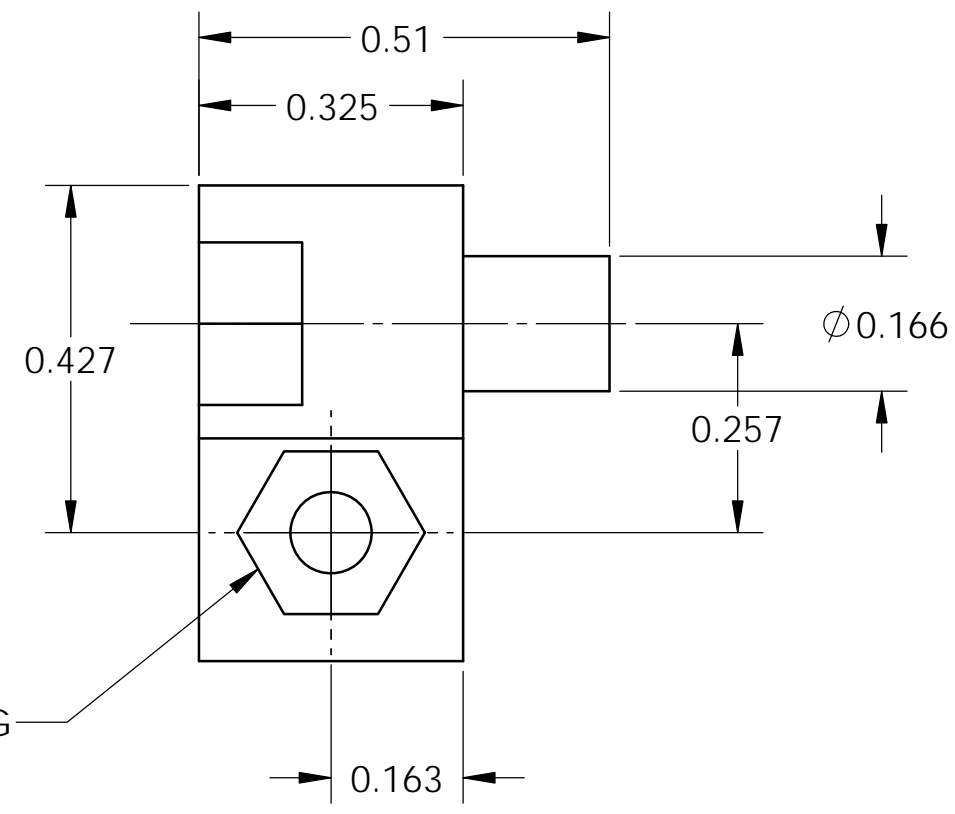
BOTTOM EJECTOR HANDLE DETAIL



CENTER L-BRACKET DETAIL



BOTTOM SUPPORT BRACKET DETAIL



ID PANEL DETAIL

CM10 PARTS LIST

ITEM NO	DESCRIPTION	QTY	U/M
1	EJECTOR HANDLE, BOTTOM	1	EACH
2	EJECTOR HANDLE, TOP	1	EACH
3	SUPPORT BRACKET, BOTTOM	1	EACH
4	SUPPORT BRACKET, TOP	1	EACH
5	ID PANEL	2	EACH
6	CENTER L-BRACKET	2	EACH
7	RETAINER SLEEVE	2	EACH
8	CAPTIVE SCREW, M2.5-0.45X11mm	2	EACH
9	SCREW, FLAT HEAD, M2.5-0.45X8mm	4	EACH
10	SCREW, PAN HEAD, M2.5-0.45X14mm	2	EACH
11	SCREW, PAN HEAD, M2.5-0.45X10mm	2	EACH
12	HEX NUT, M2.5X0.45-6H	8	EACH

UNLESS OTHERWISE SPECIFIED, DIMENSIONS ARE IN INCHES		NAME	DATE	VECTOR ELECTRONICS & TECHNOLOGY, INC. www.vectorselect.com	TITLE: YANQIEN SHI NORTH HOLLYWOOD, CA 91355
TOLERANCES:		DRAWN	TRG/SJH		
DEC. X.X	±0.1	CHECKED			
DEC. X.XXX	±0.03	ENG APPR.			
DEC. X.XXXX	±0.010	MFG APPR.			
FRACTIONS	±0.050	Q.A.			
ANGLES	±1°	COMMENTS:			
THIRD ANGLE PROJECTION					
MATERIAL					
FRESH					

SCALE: 4:1 CAGE CODE: 82893 SHEET 1 OF 1

EJECTOR HANDLE, TYPE II, 1101.1

SIZE DWG. NO. REV
D CM10 **A**
 SCALE: 4:1 CAGE CODE: 82893 SHEET 1 OF 1