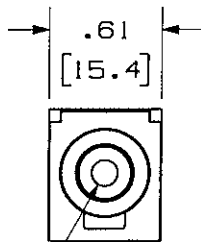
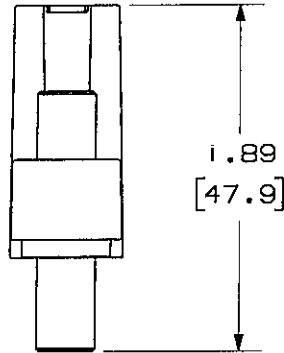
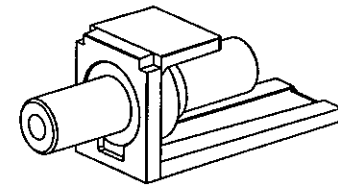
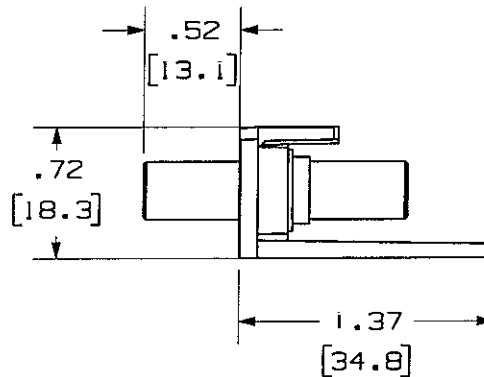


THIS COPY IS PROVIDED ON A RESTRICTED BASIS AND IS NOT TO BE USED IN ANY WAY DETRIMENTAL TO THE INTERESTS OF PANDUIT CORP.

PANDUIT P/N	WEIGHT
CM35MSC**Y	.08 LB/10 PCS (37.5 g/10 PCS)



.14 DIA
[3.6]



NOTES:

- SEE CURRENT CATALOG FOR ADDITIONAL PART NUMBER SUFFIXES TO INDICATE COLOR AND OR PACKAGE QUANTITY.
- SEE CATALOG FOR COMPLETE LIST OF PARTS APPLICABLE FOR USE WITH THIS PART.
- DIMENSIONS IN PARENTHESES ARE IN METRIC.
- PART INCLUDES:
 - 1- MODULE BASE
 - 1- 3.5mm (1/8") HEAD PHONE JACK COUPLER (ASSEMBLED TO MODULE BASE)

NETWORK SYSTEMS
MAY 25 2006
ENGINEERING DEPT

MODEL FILENAME	MO2109AA_CM35MSC_00.PRT	SIZE	A
DRAWING FILENAME	MO2479HF_DC190_00A.PRT		
MINI-COM 3.5mm (1/8") HEAD PHONE JACK COUPLER MODULE CUSTOMER DRAWING			
PANDUIT TM CORP. TINLEY PARK, ILL 60477		I.T. NUMBER	N/A
THIRD ANGLE PROJECTION		PRODUCT SPEC	N/A
ALL DIMENSIONS ARE GIVEN IN INCHES, UNLESS OTHERWISE SPECIFIED.		WORK INSTRUCTION	N/A
DIMENSIONAL TOLERANCES ARE: (.X) ± (.XXX) ± .010(.31) (.XX) ± .02(.8) ANGLES ±		SCALE	NONE
DRAWN BY	JsP	MATERIAL:	PART NO. CM35MSC**Y
DATE	4-25-06	MODULE: ABS CONNECTOR: ZINC PLATED	DRAWING NO. 02479-190

REV	DATE	BY	CHK	DESCRIPTION	ECN	R	CUST	SUP	OTH
R	4-25-06	JsP	<i>MJP</i>	RELEASED TO PRODUCTION	02479-190	<i>MJP</i>	<i>MJP</i>		