

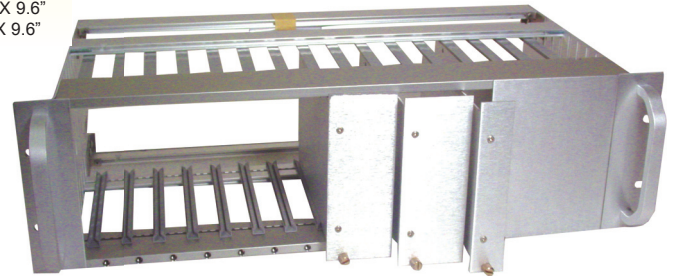
CCM13S/90 - shown fully assembled includes dress panels and handles

## Universal Card-Mount System

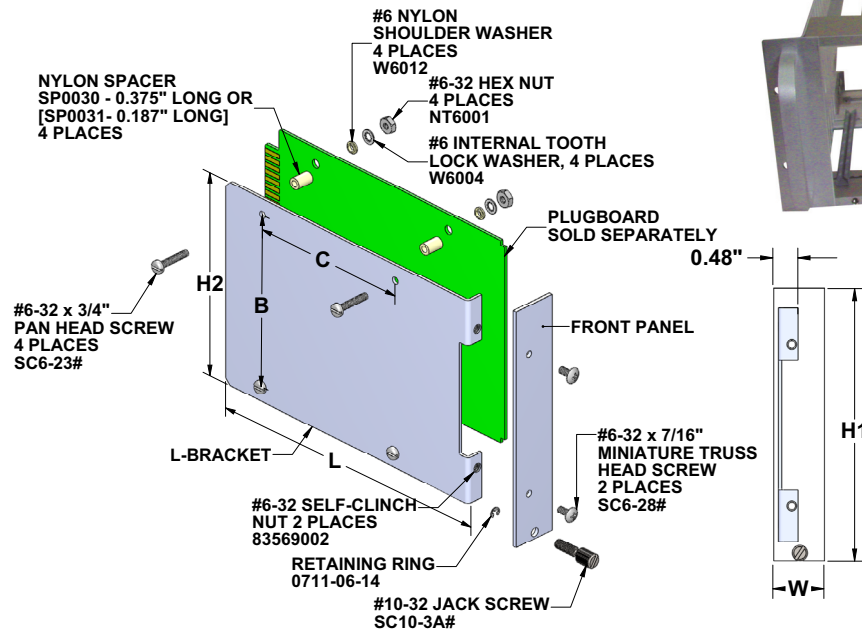
- Racks sold fully assembled only
- 3U, 4U and 6U Versions
- All racks include 16 slots on 1.0" centers
- Modules sold separately unassembled, easy to customize
- Modules of different width all in one rack, 1.0" to 4.0"
- Rear "T"-Struts included for mounting of connectors or backplanes (Vector P/N HD34)
- Aluminum plate slides into card guide
- Rack handles and dress panels included

## Assembled Card Mount Subracks

| Part No.  | Rack outer Dimensions       | # of Card Guides      | Versions  | Card Size    |
|-----------|-----------------------------|-----------------------|-----------|--------------|
| CCM13S/90 | 3U (5.25") X 19"W X 9"D     | 16 pair on 1" centers | Assembled | 4.5" X 6.5"  |
| CCM14S/90 | 3U (5.25") X 19"W X 12"D    | 16 pair on 1" centers | Assembled | 4.5" X 9.6"  |
| CCM15S/90 | 4U (7.00") X 19"W X 12"D    | 16 pair on 1" centers | Assembled | 6.25" X 9.6" |
| CCM18S/90 | 6U (10.5") X 19"W X 15.75"D | 16 pair on 1" centers | Assembled | 9.0" X 9.6"  |



CCM13S/90 - shown with CM45A65-1 and CM45A65-2



Card Mount Module Exploded View

## Card Mount Modules

| Part No.  | Height |       | Width |       | Length |      | Module Rack |
|-----------|--------|-------|-------|-------|--------|------|-------------|
|           | H1     | H2    | W     | L     | B      | C    |             |
| CM45A65-1 | 5.25"  | 4.5"  | 1.0"  | 6.57" | 3.8"   | 3.6" | CCM13S      |
| CM45A65-2 | 5.25"  | 4.5"  | 2.0"  | 6.57" | 3.8"   | 3.6" | CCM13S      |
| CM45A65-4 | 5.25"  | 4.5"  | 4.0"  | 6.57" | 3.8"   | 3.6" | CCM13S      |
| CM45B95-1 | 5.25"  | 4.5"  | 1.0"  | 9.57" | 3.8"   | 6.6" | CCM14S      |
| CM45B95-2 | 5.25"  | 4.5"  | 2.0"  | 9.57" | 3.8"   | 6.6" | CCM14S      |
| CM45B95-4 | 5.25"  | 4.5"  | 4.0"  | 9.57" | 3.8"   | 6.6" | CCM14S      |
| CM62F95-1 | 7.0"   | 6.25" | 1.0"  | 9.57" | 5.55"  | 6.6" | CCM15S      |
| CM62F95-2 | 7.0"   | 6.25" | 2.0"  | 9.57" | 5.55"  | 6.6" | CCM15S      |
| CM62F95-4 | 7.0"   | 6.25" | 4.0"  | 9.57" | 5.55"  | 6.6" | CCM15S      |
| CM90F95-1 | 10.5"  | 9.75" | 1.0"  | 9.57" | 9.05"  | 6.6" | CCM18S      |
| CM90F95-2 | 10.5"  | 9.75" | 2.0"  | 9.57" | 9.05"  | 6.6" | CCM18S      |
| CM90F95-4 | 10.5"  | 9.75" | 4.0"  | 9.57" | 9.05"  | 6.6" | CCM18S      |



Card Mount Module Plugboard™ sold separately

EIA Subracks

