

EIA-Based Vector-Pak™ Subrack Systems



Subracks for EFP Modules

CMA Module Racks

These 19" Rackmount Subracks provide attractive, sturdy, and mechanically excellent housings to enclose electronic assemblies.

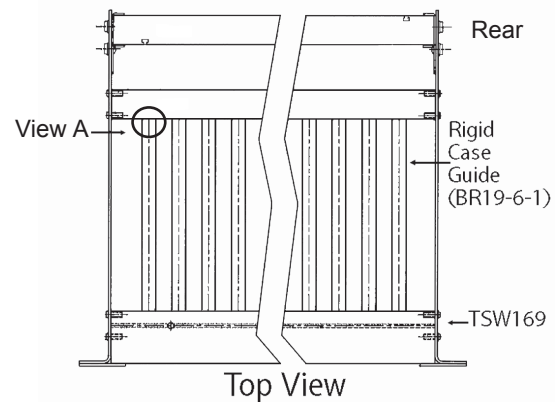
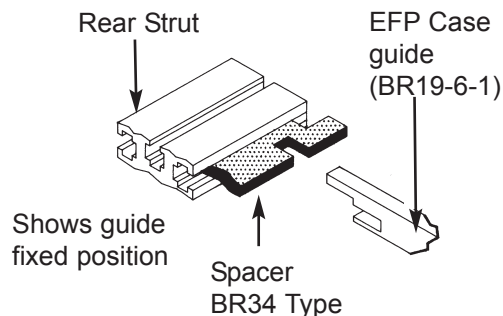
These units provide the benefits and features of custom enclosures without the expense.

EFP modules feature aluminum extruded sides to accept .062" thick P.C. cards. Extended front panels on modules allow thumb screw locking of module to subrack for easy insertion and extraction. The extended front panel also provides an attractive appearance.

Side panels fasten to sturdy Vector TSW model (1.75" wide) Struts with two screws. Subrack models accept widths of 1.6", 2.0" and 3.0" EFP modules; 4.5" module optional. Rear Struts are adjustable in width and height.

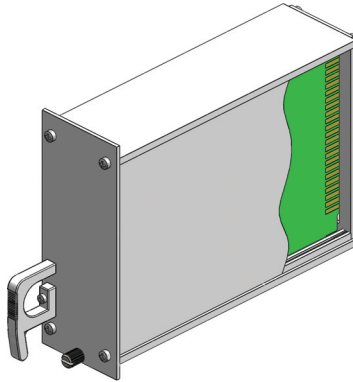


- 1.6", 2.0" and 3.0" evenly spaced modules are accepted
- Side Panels have double screw attachment to wide TSW (1.75") metal strut
- Rear Struts are adjustable in width and height with BR16-1 bracket
- Special aluminum extruded case guides and spacers provide secure mounting for modules.
- Standard 19" width. Other widths available by special order
- Filler panels available where mixing widths creates gaps
- Aluminum construction, brushed, with clear irridite finish
- Paint options available

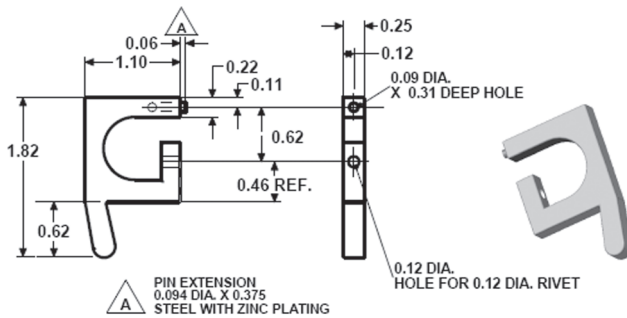


| Subrack Part Number | # Of Modules | Width | Height | Depth |
|---------------------|--------------|-------|--------|--------|
| CMA13-16/90 | 10 | 19" | 3U | 9.00" |
| CMA13-20/90 | 8 | 19" | 3U | 9.00" |
| CMA13-30/90 | 5 | 19" | 3U | 9.00" |
| CMA14-16/90 | 10 | 19" | 3U | 12.00" |
| CMA14-20/90 | 8 | 19" | 3U | 12.00" |
| CMA14-30/90 | 5 | 19" | 3U | 12.00" |
| CMA15-20/90 | 8 | 19" | 4U | 12.00" |





EFP204A66F - 2" EFP Modules with HA11 handle

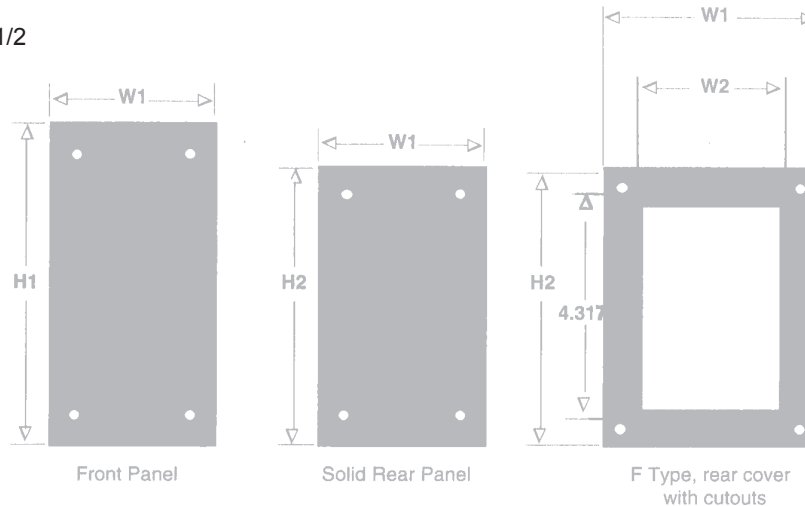
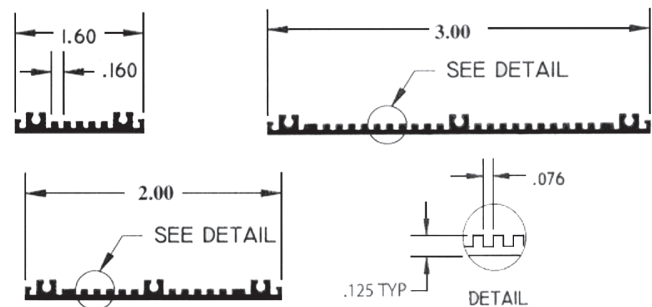


HA11 handle Pkg of 2,
order part number HA11/2

- Extended Front Panels provide thumb screw mounting and flush fit from module to module and with strut line.
- Modules provide shielding
- Front Panels may be customized with cutouts and/or color (Contact factory).
- All covers have locking detent; slides out of groove when released.
- Supplied in Kit form
- Modules with 6.5" depth accept 4.5" X 6.5" cards.
- Modules with 9.7" depth accept 4.5" X 9.6" cards.

Side Rail Extrusions: Grooves for card insertion

Side Rail Extrusions: Grooves for card insertion



- Front panel is removable and may be customized
- HA11 finger-pull handle available separately (order part #HA11/2)
- Rear panels: single piece with cutouts (F type)
- Replacement side panels PL4566 (4.5" X 6.6") and PL4597 (4.5" X 9.7")

| Kit Type Closed Rear Panel | Kit Type Open Rear Panel | L | W1 | W2 | H1 | H2 | Solid Front Panel # | Solid Rear Cover | Open Rear Panel |
|----------------------------------|--------------------------------|------|-------|-------|-------|-------|---------------------------|------------------------|-----------------------|
| EFP164A66 | EFP164A66F | 6.5" | 1.65" | 1.31" | 5.22" | 4.62" | FP16A52 | BP13-4 | BP13-40F |
| EFP164A97 | EFP164A97F | 9.6" | 1.65" | 1.31" | 5.22" | 4.62" | FP16A52 | BP13-4 | BP13-40F |
| EFP204A66 | EFP204A66F | 6.5" | 2.05" | 1.71" | 5.22" | 4.62" | FP2A52 | BP17-4 | BP17-40F |
| EFP204A97 | EFP204A97F | 9.6" | 2.05" | 1.71" | 5.22" | 4.62" | FP2A52 | BP17-4 | BP17-40F |
| EFP304A66 | EFP304A66F | 6.5" | 3.05" | 2.71" | 5.22" | 4.62" | FP3A52 | BP27-4 | BP27-40F |
| EFP304A97 | EFP304A97F | 9.6" | 3.05" | 2.71" | 5.22" | 4.62" | FP3A52 | BP27-4 | BP27-40F |
| EFP454A66 | EFP454A66F | 6.5" | 4.55" | 4.21" | 5.22" | 4.62" | FP3A52 | BP42-4 | BP27-40F |
| EFP454A97 | N/A | 9.6" | 4.55" | 4.21" | 5.22" | 4.62" | FP45A52 | BP42-4 | BP42-40F |
| *EFP206A97 | N/A | 9.6" | 2.05" | 1.71" | 6.97" | 6.37" | FP2A70 | BP17-6 | N/A |

* 4U for CMA15-20/90

