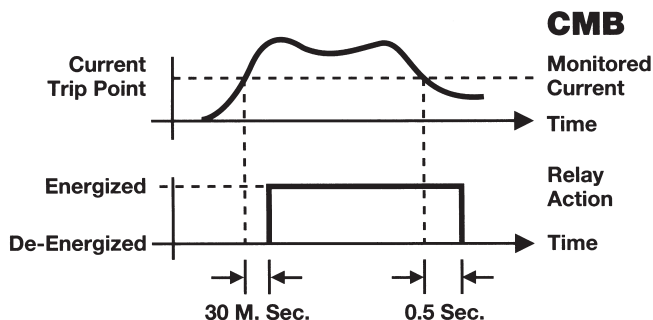


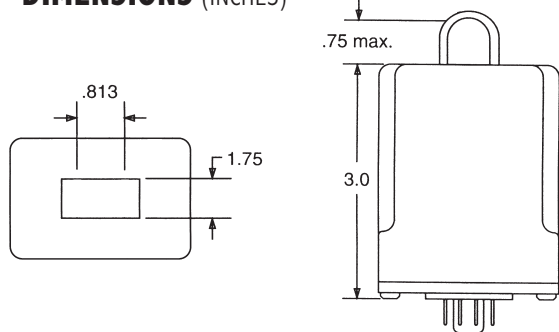
## OPERATION

The **CMB Series** relay is used to detect the presence of AC current. When the monitored current exceeds the trip point for longer than 30 milliseconds, the internal relay energizes. When the monitored current drops below the trip point for longer than 0.5 seconds, the internal relay de-energizes. The Delay-on-Release is incorporated to prevent nuisance tripping caused by momentary dips in the load line.

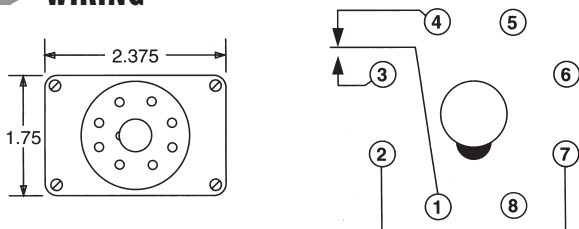
An External CT may be used to extend the range of the Current Monitor.



## DIMENSIONS (INCHES)



## WIRING



## MODEL NUMBER

MODEL NUMBER	CMB			F	A	
<b>CONTROL VOLTAGE</b>						
24 Volts AC		24	A			
24 Volts DC (Not c <sup>®</sup> us)		24	D			
120 Volts AC		120	A			
<b>CURRENT TRIP POINTS</b>						
1 amp						1
2 amps						2
3 amps						3
4 amps						4
5 amps						5
6 amps						6
7 amps						7
8 amps						8
9 amps						9
10 amps						10

**CAUS**  
E55826



## AC Go/No-Go Current Monitor/Relay

- Easy Installation
- No physical connection to the AC line that is being monitored
- Magnetically coupled by passing supply line through protruding Current Transformer
- 8-Pin, Plug-in

## SPECIFICATIONS

**CONTROL VOLTAGE** 24 or 120 VAC; 50/60 Hz, 24 VDC

**TRIP POINTS** 1-10 Amps, Fixed

**AC INPUT CURRENT** Up to 50 Amps

**OUTPUT** SPDT, 10 Amps @ 240 VAC Resistive;  
211 VA @ 120 VAC Inductive:  
1/6 Horsepower @ 120 VAC or  
1/3 Horsepower @ 240 VAC

**POWER CONSUMPTION** 3 Watts (Approximately)

**RESPONSE TIME** Operate 30 mSEC  
Release 0.5 SEC

**LIFE EXPECTANCY** Mechanical 10 Million Operations (Minimum)  
Electrical 100,000 Operations @  
Rated Load

**DUTY CYCLE** Continuous

**TEMPERATURE RATING** Operate 32° to 131°F (0° to +55°C)  
Storage -49° to 185°F (-45° to +85°C)

**SOCKETS** RB-08 or PF083A

**ENCLOSURE** Lexan Dust Cover; 8-Pin plug-in

**WEIGHT** 6 oz