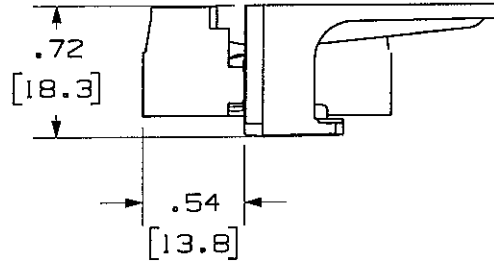
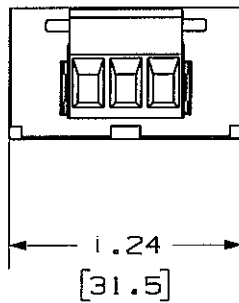


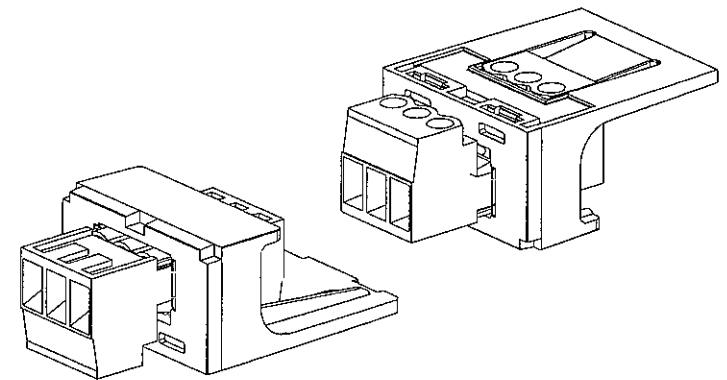
THIS COPY IS PROVIDED ON A RESTRICTED BASIS AND IS NOT TO BE USED IN ANY WAY DETRIMENTAL TO THE INTERESTS OF PANDUIT CORP.



| PANDUIT P/N | WEIGHT                            |
|-------------|-----------------------------------|
| CMBS485**   | .30 LB/10 PCS<br>(134.8 g/10 PCS) |

NOTES:

- SEE CURRENT CATALOG FOR ADDITIONAL PART NUMBER SUFFIXES TO INDICATE COLOR AND OR PACKAGE QUANTITY.
- SEE CATALOG FOR COMPLETE LIST OF PARTS APPLICABLE FOR USE WITH THIS PART.
- DIMENSIONS IN [ ] ARE IN METRIC.
- PART INCLUDES:
  - 1- MODULE BASE
  - 1- BAS CONNECTOR (ASSEMBLED TO MODULE BASE)
  - 1- BAS PLUG
- WIRE GAGE RANGE: 22-18



|                  |                             |      |   |
|------------------|-----------------------------|------|---|
| MODEL FILENAME   | M02531AA_RS485MODULE_06.PRT | SIZE | A |
| DRAWING FILENAME | M02531AA_DC_06B.PRT         |      |   |

MINI-COM BAS CONNECTOR MODULE  
CUSTOMER DRAWING

NETWORK SYSTEMS  
SEP 14 2006  
ENGINEERING DEPT



THIRD ANGLE PROJECTION  
ALL DIMENSIONS ARE GIVEN IN INCHES, UNLESS OTHERWISE SPECIFIED.  
DIMENSIONAL TOLERANCES ARE:  
(.X) ± (.XXX) ± .010(.3)  
(.XX) ± .031(.8) ANGLES ±

|                  |      |
|------------------|------|
| 1.1. NUMBER      | N/A  |
| PRODUCT SPEC     | N/A  |
| WORK INSTRUCTION | N/A  |
| SCALE            | NONE |

| REV | DATE    | BY  | CHK  | DESCRIPTION  | ECN      | R    | CUST | SUP | OTH  |
|-----|---------|-----|------|--|----------|------|------|-----|------|
| 1   | 9-12-06 | JsP | REFR | A. REVISED ORIENTATION OF MODULE TO SHOW MORE DETAIL OF SCREW TERMINALS. | 02531-04 | REFR | REFR |     |      |
| R   | 3-31-06 | JsP | REFR | RELEASED TO PRODUCTION   | 02531-04 | REFR | REFR |     | REFR |

|          |         |           |                                    |
|----------|---------|-----------|------------------------------------|
| DRAWN BY | JsP     | MATERIAL: | MODULE: V-0 ABS<br>CONNECTORS: PBT |
| DATE     | 3-31-06 |           |                                    |
| CHK'D    | REFR    |           |                                    |

|             |           |
|-------------|-----------|
| PART NO.    | CMBS485** |
| DRAWING NO. | 02531-04  |