

MODEL: CMC-6027-32T | **DESCRIPTION:** ELECTRET CONDENSER MICROPHONE

FEATURES

- omnidirectional
- high signal to noise ratio
- -32 dB sensitivity rating


SPECIFICATIONS

| parameter | conditions/description | min | typ | max | units |
|---------------------------------|-------------------------------------|-----|-----|--------|-------|
| directivity | omnidirectional | | | | |
| sensitivity [S] | f = 1 kHz, 1 Pa, 0 dB = 1 V/Pa | -35 | -32 | -29 | dB |
| standard operating voltage [Vs] | | | 2 | | Vdc |
| max operating voltage | | | | 10 | Vdc |
| output impedance [Zout] | f = 1 kHz, 1 Pa | | 2.0 | | kΩ |
| sensitivity reduction [ΔS-Vs] | f = 1 kHz, 1 Pa, Vs = 2.0 ~ 1.5 Vdc | | -3 | | dB |
| frequency [f] | | 100 | | 20,000 | Hz |
| current consumption [IDSS] | Vs = 2.0 Vdc, RL = 2.2 kΩ | | | 0.5 | mA |
| signal to noise ratio [S/N] | f = 1 kHz, 1 Pa, A-weighted | | 70 | | dBa |
| dimensions | Ø6.0 x 2.7 | | | | mm |
| material | Al | | | | |
| terminal | solder pads | | | | |
| weight | | | | 0.2 | g |
| operating temperature | | -40 | | 85 | °C |
| storage temperature | | -40 | | 85 | °C |
| RoHS | yes | | | | |

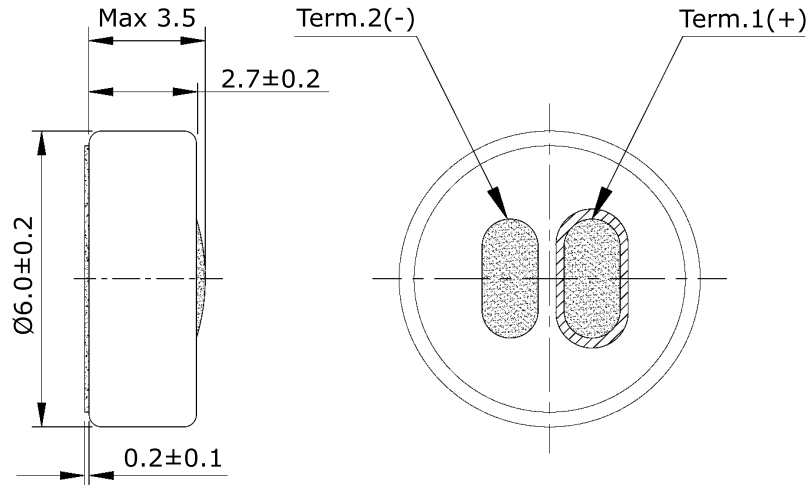
Notes: 1. We use the "Pascal [Pa]" indication of sensitivity as per the recommendation of I.E.C. (International Electrotechnical Commission). The sensitivity of "Pa" will increase 20 dB compared to the "ubar" indication. Example: -60 dB (0 dB = 1 V/ubar) = -40 dB (1 V/Pa)
 2. All specifications measured at 5-35°C, humidity at 45-85%, under 86-106 kPa pressure, unless otherwise noted.

SOLDERABILITY

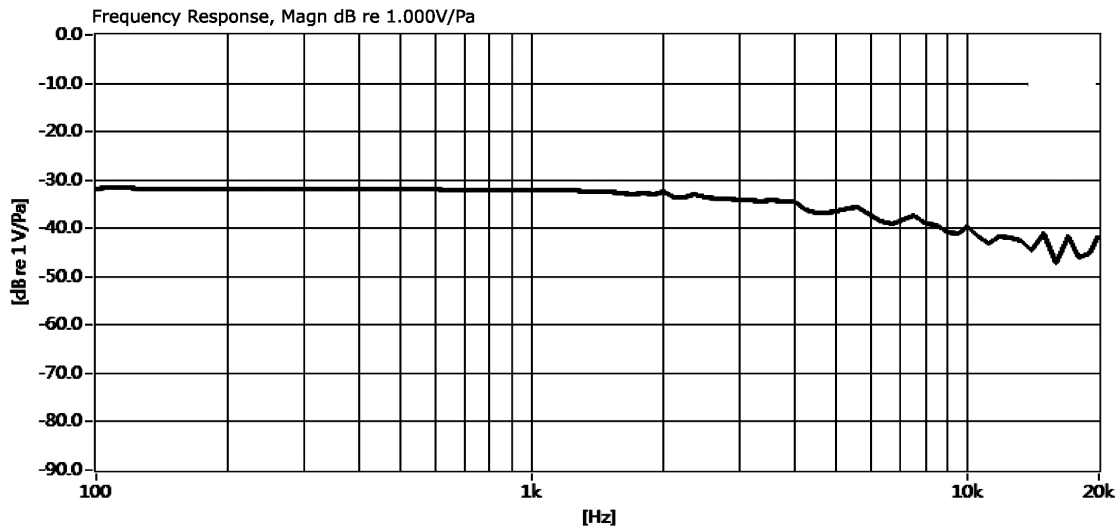
| parameter | conditions/description | min | typ | max | units |
|----------------|------------------------|-----|-----|-----|-------|
| hand soldering | for maximum 2 seconds | 310 | 320 | 330 | °C |

MECHANICAL DRAWING

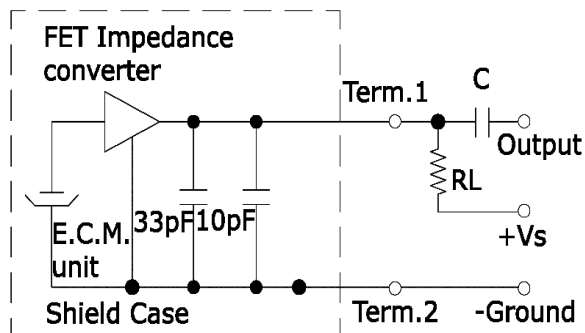
units: mm



FREQUENCY RESPONSE CURVE



MEASUREMENT CIRCUIT



RL = 2.2 kΩ
C = 1 μF

PACKAGING

units: mm

Inner Box Size: 62 x 62 x 3 mm
 Middle Box Size: 125 x 65 x 28 mm
 Outer Box Size: 210 x 210 x 280 mm
 Inner Box QTY: 100 pcs per box
 Middle Box QTY: 1,000 pcs per box
 Outer Box QTY: 40,000 pcs per box

