

MODEL: CMC-9745-L100 | **DESCRIPTION:** ELECTRET CONDENSER MICROPHONE**FEATURES**

- unidirectional
- high signal to noise ratio
- 100 mm lead wires

**SPECIFICATIONS**

parameter	conditions/description	min	typ	max	units
directivity	unidirectional				
sensitivity (S)	f = 1 kHz, 1 Pa, 0 dB = 1 V/Pa	-40	-37	-34	dB
standard operating voltage (Vs)			1.5		Vdc
max operating voltage				9	Vdc
output impedance (Zout)	f = 1 kHz, 1 Pa	1.4	2.0	2.6	kΩ
sensitivity reduction (ΔS-Vs)	f = 1 kHz, 1 Pa, Vs = 1.5 ~ 1.0 Vdc		-3		dB
frequency (f)		100		12,000	Hz
current consumption (IDSS)	Vs = 1.5 Vdc, RL = 2.0 kΩ			0.4	mA
signal to noise ratio (S/N)	f = 1 kHz, 1 Pa, A-weighted		69		dBA
dimensions	Ø9.7 x 4.5				mm
material	Al				
terminal	wire leads				
weight				1	g
operating temperature		-20		70	°C
storage temperature		-20		70	°C
RoHS	yes				

Notes: 1. We use the "Pascal (Pa)" indication of sensitivity as per the recommendation of I.E.C. (International Electrotechnical Commission). The sensitivity of "Pa" will increase 20 dB compared to the "ubar" indication. Example: -60 dB (0 dB = 1 V/ubar) = -40 dB (1 V/Pa)
 2. All specifications measured at 5~35°C, humidity at 45~85%, under 86~106 kPa pressure, unless otherwise noted.

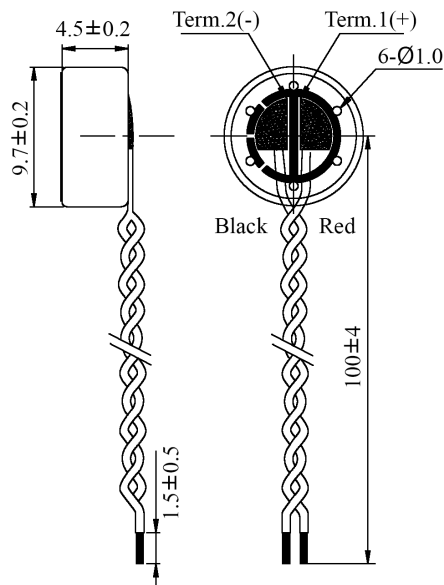
SOLDERABILITY

parameter	conditions/description	min	typ	max	units
hand soldering	for maximum 2 seconds	310	320	330	°C

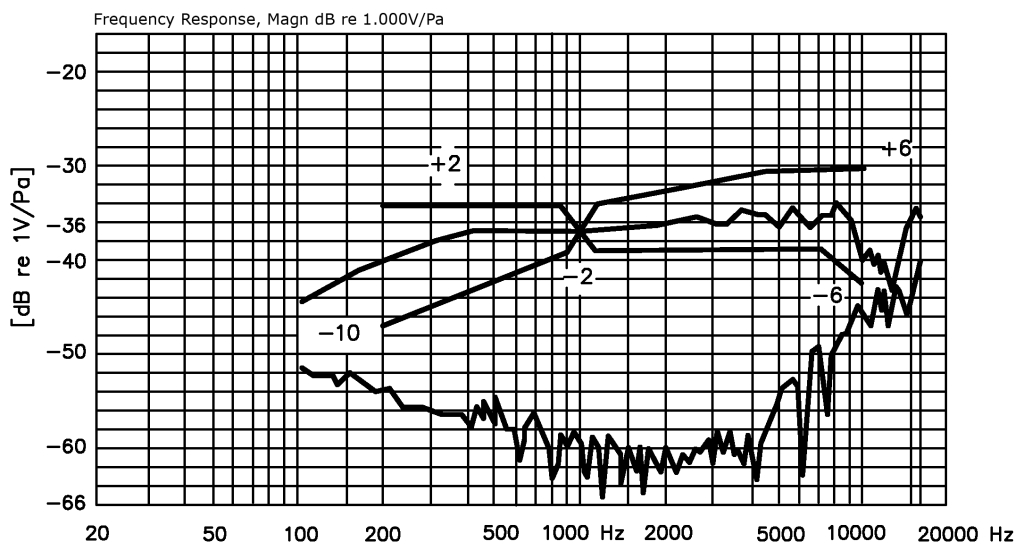
MECHANICAL DRAWING

units: mm
tolerance: ± 0.2 mm

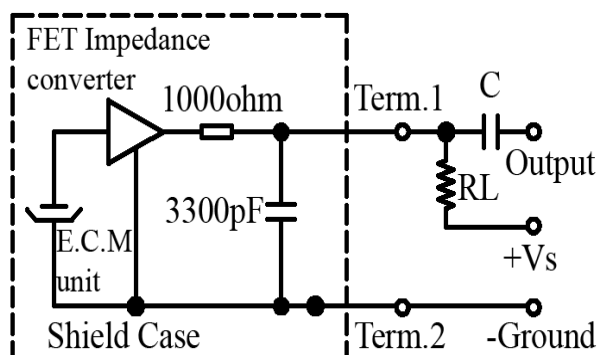
wire: UL1571 LF 30 AWG



FREQUENCY RESPONSE CURVE



MEASUREMENT CIRCUIT



RL = 2.0 k Ω
C = 1 μ F

PACKAGING

units: mm

Outer Box Size: 310 x 248 x 49 mm
 Carton Box Size: 550 x 330 x 290 mm
 Outer Box QTY: 1,500 pcs per box
 Carton Box QTY: 15,000 pcs per box

