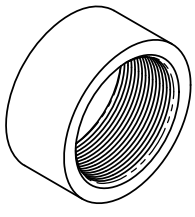


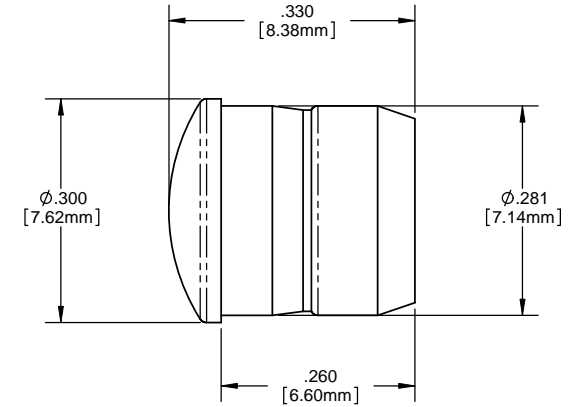
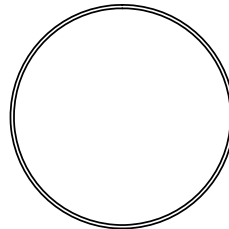
- NOTES:
1. MOUNTING: Mounts in a $\phi .281 \pm .002$ [$\phi 7.13\text{mm} \pm .05$] panel hole on $.375$ [9.5mm] centers. Panel thickness $.031$ [0.8mm] to $.250$ [6.35mm]. Panel hole should be deburred, but not chamfered.
 2. ASSEMBLY: Insert lens through panel hole, slide RNG 268 retainer on back of lens. PCB mounted LEDs slide into lens when the panel cover is closed or the PCB card is inserted into the case.
 3. MATERIAL: Polycarbonate, UL 94-V2
 4. U.S. & Foreign Pat. Issued & Pend.

| REVISIONS | | | | |
|-----------|------|---------------------------|---------|----------|
| ECN# | REV. | DESCRIPTION | DATE | INITIALS |
| | 001 | REVISED PER ECR111009AZ01 | 4-23-10 | SMU |

RETAINER
(ORDER SEPARATELY)



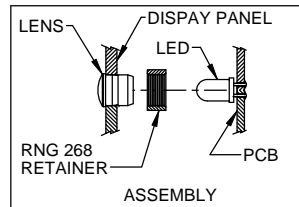
RNG 268



ORDERING CODE : **CMC 321 XXX**

MODEL

| LENS COLOR | |
|------------|--------------------|
| RTP | RED TRANSPARENT |
| ATP | AMBER TRANSPARENT |
| GTP | GREEN TRANSPARENT |
| BTP | BLUE TRANSPARENT |
| YTP | YELLOW TRANSPARENT |
| CTP | CLEAR TRANSPARENT |



| | | | |
|---|----------------------------|---|--------------------|
| <small>UNLESS OTHERWISE SPECIFIED DIMENSIONS ARE IN INCHES</small> ANGLES DECIMALS \pm .X \pm .020 .XXX \pm .010 .XXX \pm .005 FINISH BREAK ALL CORNERS AND SHARP EDGES (S1/16) | MATERIAL | VISUAL COMMUNICATIONS COMPANY, INC. 190 Bosstick Boulevard, Suite 101 San Marcos, CA 92069 USA Phone (760) 560-1300 Fax (760) 560-1301 email vccsales@vccite.com | |
| | POLYCARBONATE, UL 94-V2 | TITLE: 5MM ROUND FRESNEL LOW PROFILE LENS | |
| THIRD ANGLE PROJECTION | FINISH | SEE NOTES | |
| APPROVAL | DATE | SIZE | DWG. NO. |
| DRAWN: SMU | 4-23-10 | B | CMC 321 XXX |
| CHECKED: DZ | 4-23-10 | SCALE: 1:1 | REV 001 |
| DO NOT SCALE DRAWING | | SHEET 1 OF 1 | |