

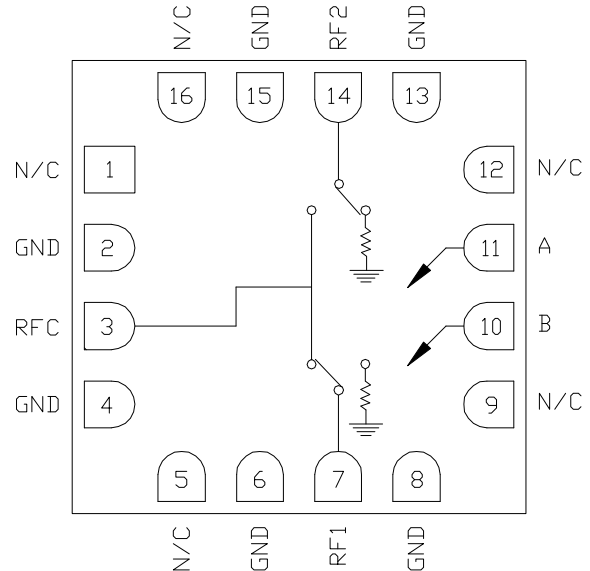
Features

- ▶ Positive gain slope
- ▶ High isolation
- ▶ Non-reflective design
- ▶ Pb-free RoHs compliant 3x3 SMT package

Description

The CMD195C3 is a broadband MMIC SPDT switch housed in a leadless 3x3 mm surface mount package. The CMD195C3 covers DC to 18 GHz and offers a low insertion loss of 2 dB and high isolation of 37 dB as well as positive gain slope. The positive gain slope feature allows for several switches to be cascaded together without the need for gain equalization circuitry. The CMD195C3 operates using complementary control voltage logic lines of 0/-5 V and requires no bias supply.

Functional Block Diagram



Electrical Performance - $V_{ctl} = 0/-5\text{ V}$, $T_A = 25\text{ }^\circ\text{C}$, $F = 18\text{ GHz}$

Parameter	Min	Typ	Max	Units
Frequency Range	DC - 18			GHz
Insertion Loss		2		dB
Isolation		37		dB
Return Loss - On State		13		dB
Return Loss RF1, RF2 - Off State		11		dB
Input P1dB		25		dBm
Switching Characteristics				
tRISE, tFALL (10/90% RF)		1.8		ns
tON, tOFF (50% CTL to 10/90% RF)		11/4		ns

ver 1.6 0319



CMD195C3

DC-18 GHz SPDT Non-reflective Switch

Specifications

Absolute Maximum Ratings

Parameter	Rating
RF Input Power	+27 dBm
Control Voltage Range (A,B)	+0.5V to -7.5V
Channel Temperature, T _{ch}	150 °C
Operating Temperature	-40 to 85 °C
Storage Temperature	-55 to 150 °C
Power Dissipation, P _{diss}	
Thermal Resistance, Θ_{JC}	

Exceeding any one or combination of the maximum ratings may cause permanent damage to the device.

Control Voltages

State	Bias Condition
Low	0 to -0.5V @ 1 uA Typ
High	-3V @ 1 uA Typ to -7V @ 6 uA Typ

Truth Table

Control Input		Signal Path State	
A	B	RFC to RF1	RFC to RF2
High	Low	On	Off
Low	High	Off	On

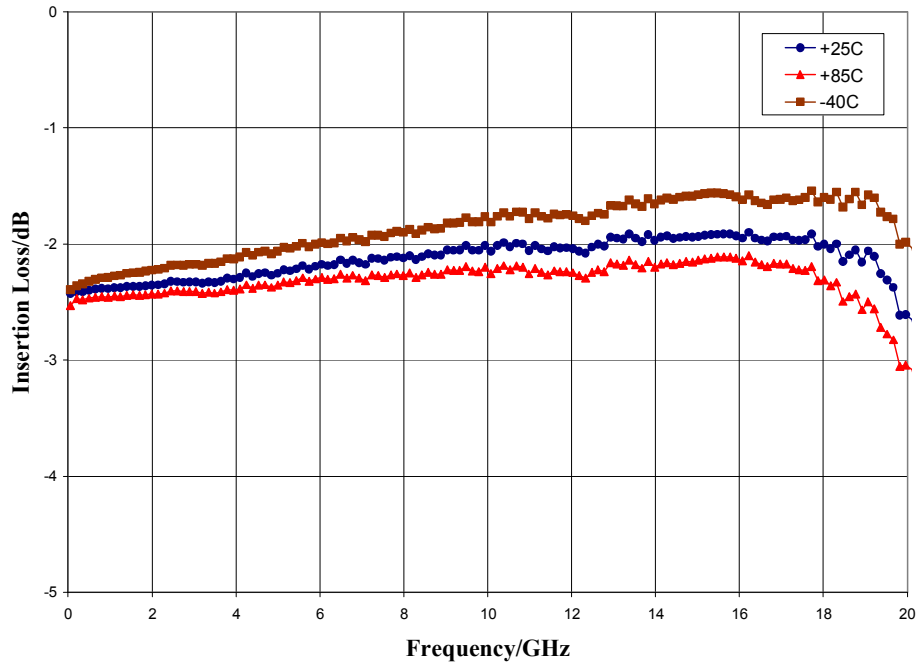
Electrical Specifications - V_{ctl} = 0/-5 V, T_A = 25 °C

Parameter	Min	Typ	Max	Min	Typ	Max	Units
Frequency Range	DC - 12		12 - 18				GHz
Insertion Loss		2.4	2.8		2.0	2.4	dB
Isolation	40	45		32	37		dB
Return Loss - On State		13			15		dB
Return Loss - RF1, 2 - Off State		17			12		dB
Input P1dB		25			25		dBm
Input IP3		38			40		dBm
Switching Characteristics t _{RISE} , t _{FALL} (10/90% RF)		1.8			1.8		ns
t _{ON} , t _{OFF} (50% CTL to 10/90% RF)		11/4			11/4		ns

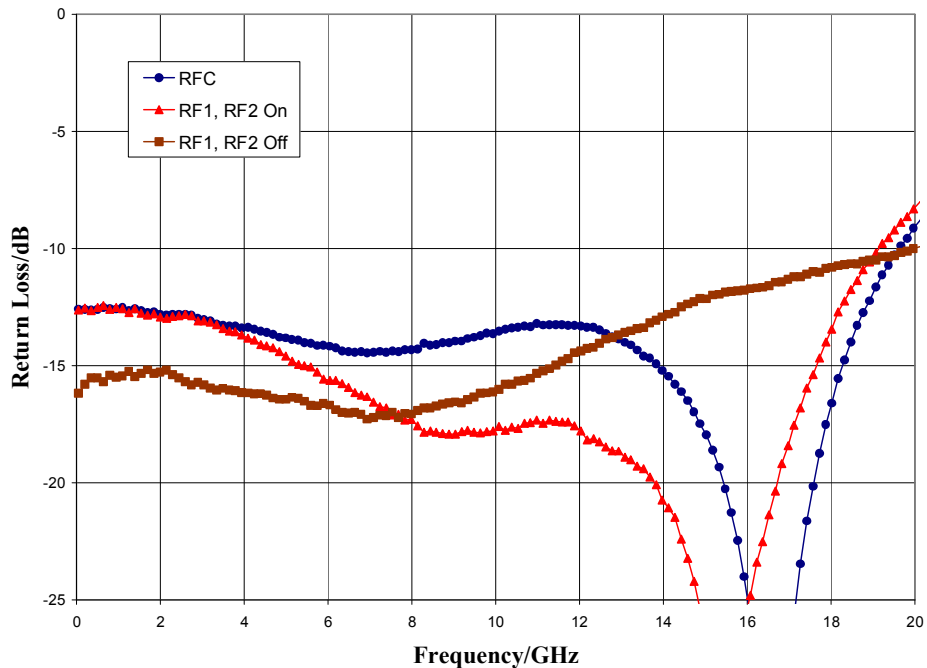
ver 1.6 0319

Typical Performance

Insertion Loss vs. Temperature



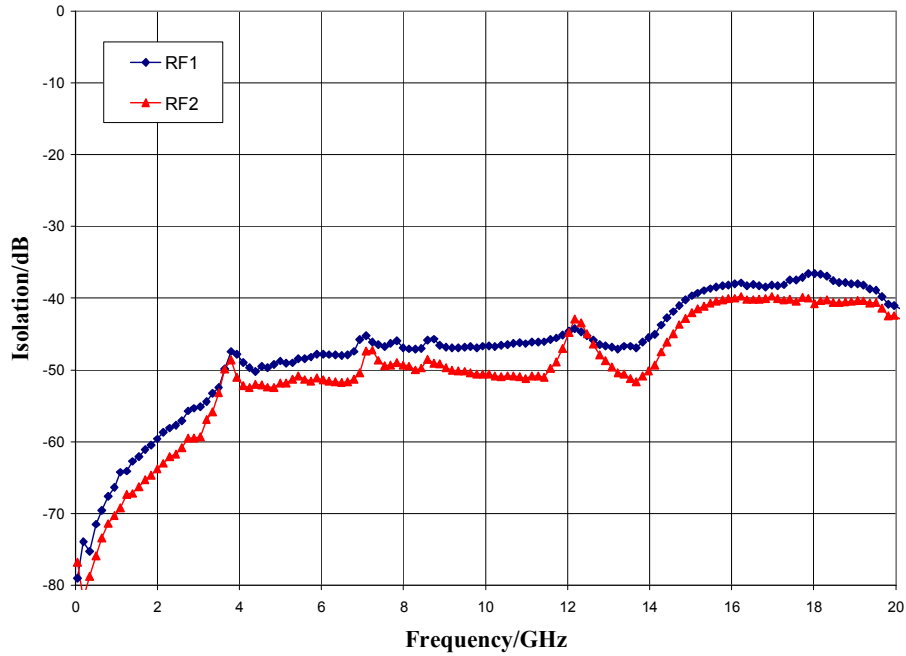
Return Loss



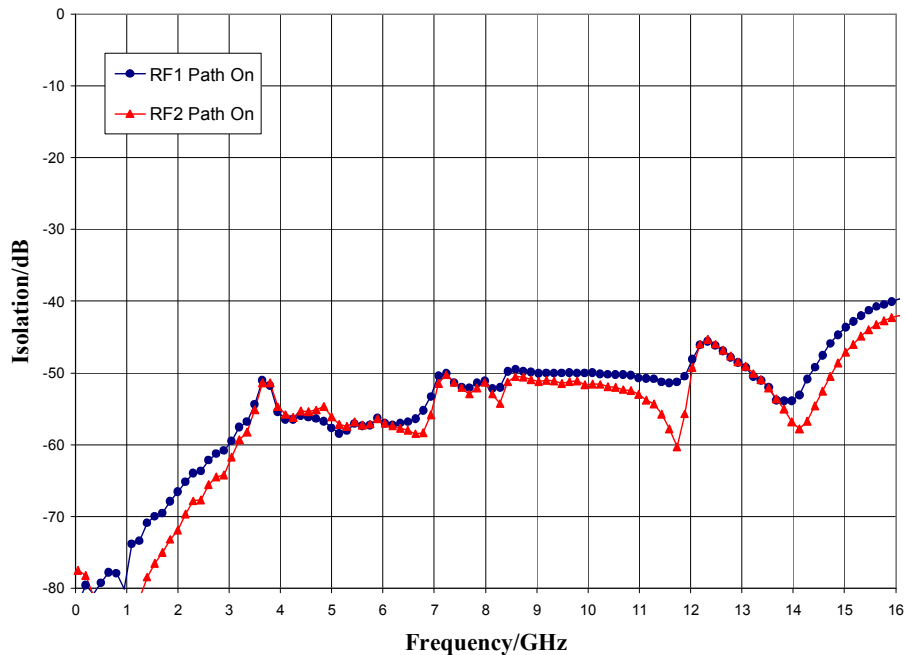
ver 1.6 0319

Typical Performance

Isolation Between Ports RFC and RF1/RF2



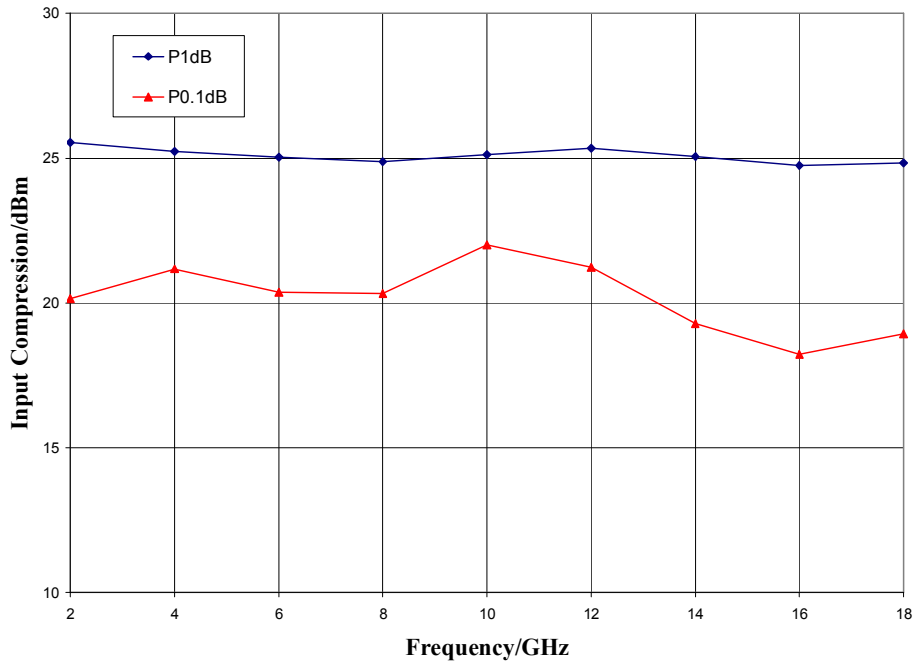
Isolation Between Ports RF1 and RF2



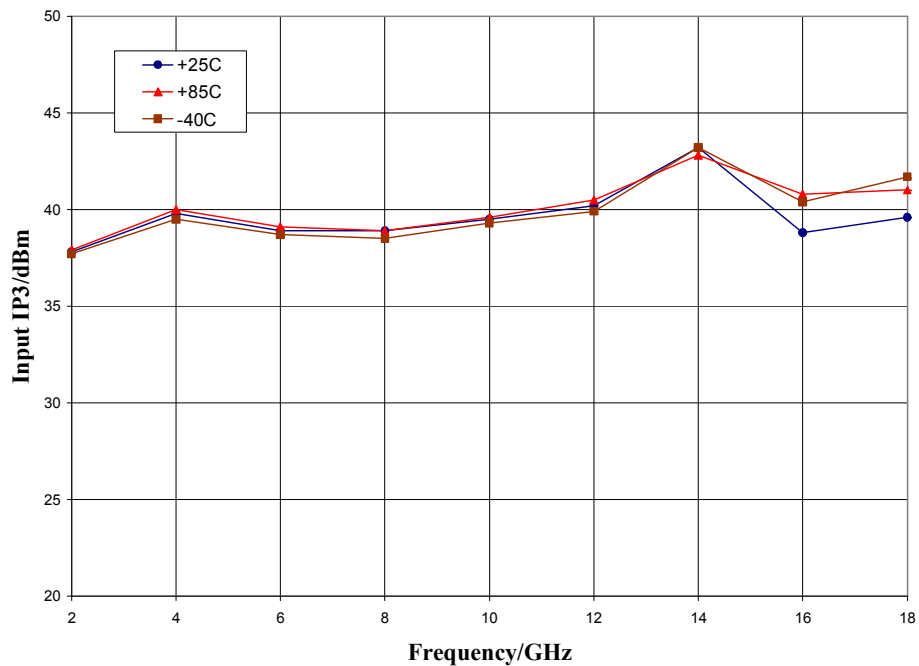
ver 1.6 0319

Typical Performance

Input P1dB and P0.1dB Compression Point



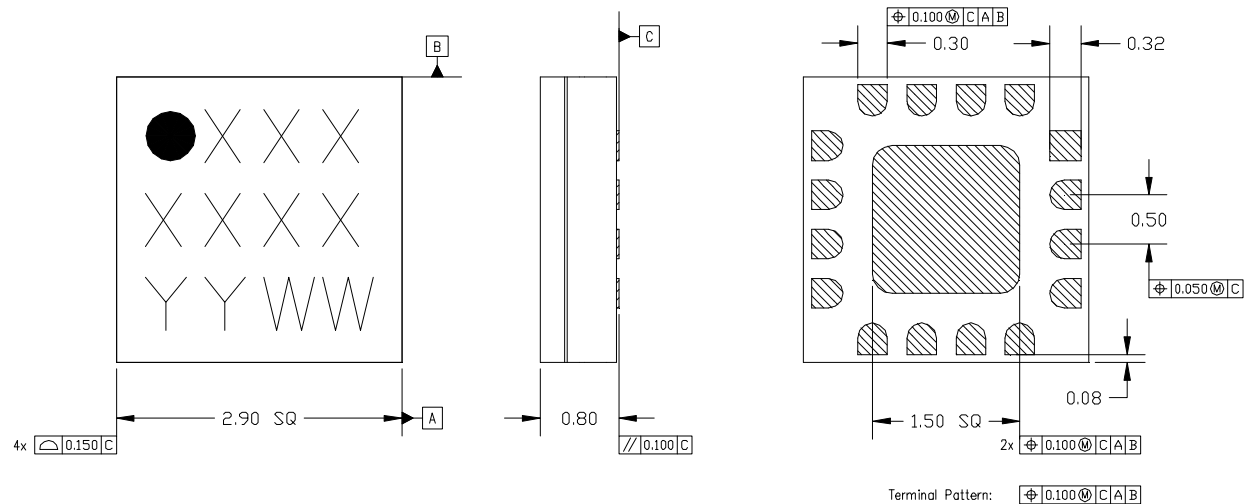
Input Third Order Intercept Point



ver 1.6 0319

Mechanical Information

Package Information and Dimensions



NOTES:

1. ALL DIMENSIONS SHOWN IN mm.
2. MATERIAL: BLACK ALUMINA
3. LEAD FINISH:
 - 3.1. Ni: 8.89um MAX, 1.27um MIN
 - 3.2. Pd: 0.17um MAX, 0.07um MIN
 - 3.3. Au: 0.254um MAX, 0.03um MIN
4. MARKING
 - 4.1. LINE 1: PART NUMBER
 - 4.1.1. EXAMPLE: CMD196C3 SHALL BE MARKED AS 196
 - 4.2. LINE 2: LOT NUMBER
 - 4.3. LINE 3: DATE CODE - LAST 2 DIGITS OF THE YEAR OF MANUFACTURE FOLLOWED BY A 2 DIGIT WEEK CODE
5. ALTERNATE PIN #1 IDENTIFIER IS A SINGLE SQUARE PAD
6. ALTERNATE DIE PADDLE MAY HAVE CHAMFERED CORNERS

Recommended PCB Land Pattern

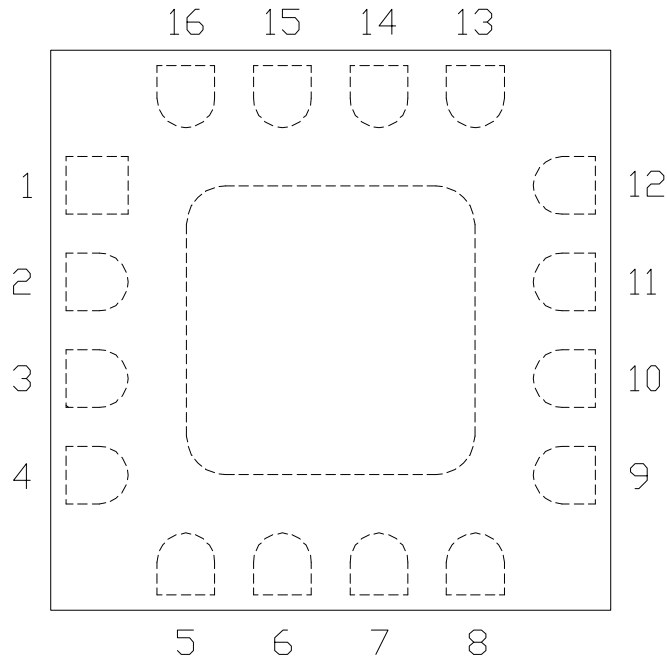
Custom MMIC Design Services recommends that the user develop the land pattern that will provide the best design for proper solder reflow and device attach for their specific application. Please review Custom MMIC Application Note AN 105 for a recommended land pattern approach.

Recommended Solder Reflow Profile

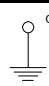
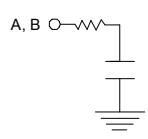
Custom MMIC Design Services recommends screen printing with belt furnace reflow to ensure proper solder reflow and device attach. Please review Custom MMIC Application Note AN 102 for a recommended solder reflow profile.

Pin Description

Pin Diagram



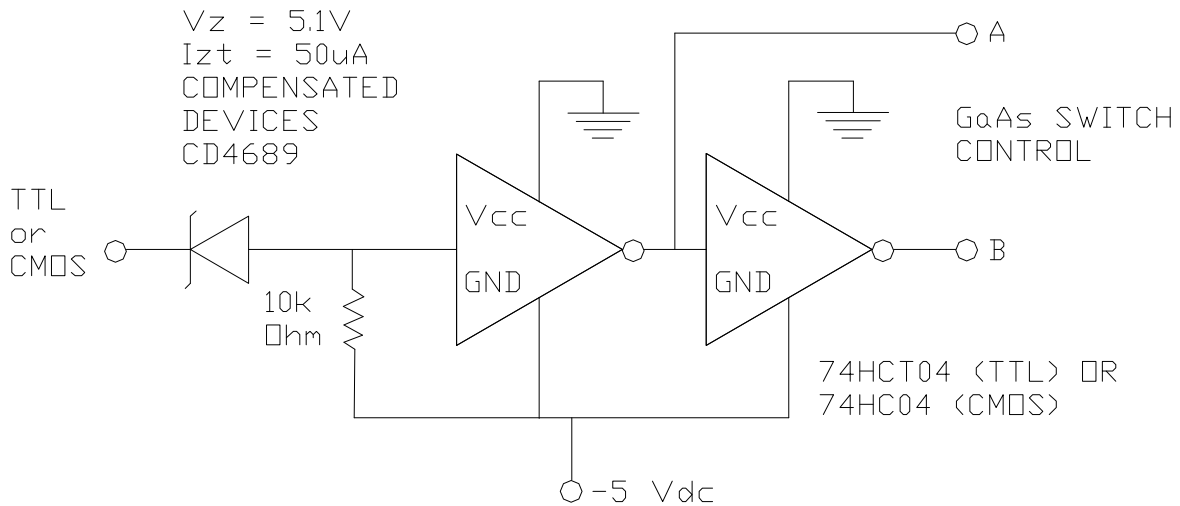
Functional Description

Pin	Function	Description	Schematic
1,5,9,12,16	N/C	No connection required. These pins may be connected to RF/DC ground	
2,4,6,8,13,15 and die paddle	Ground	Connect to RF / DC ground	
3,7,14	RFC, RF1, RF2	These pins are DC coupled and matched to 50 Ohm. Blocking capacitors are required if RF line potential is not equal to 0V	
10	CTLB	See truth table and control voltage table	
11	CTLA	See truth table and control voltage table	

ver 1.6 0319

Applications Information

Suggested Driver Circuit



GaAs MMIC devices are susceptible to damage from Electrostatic Discharge. Proper precautions should be observed during handling, assembly and test.

ver 1.6 0319