

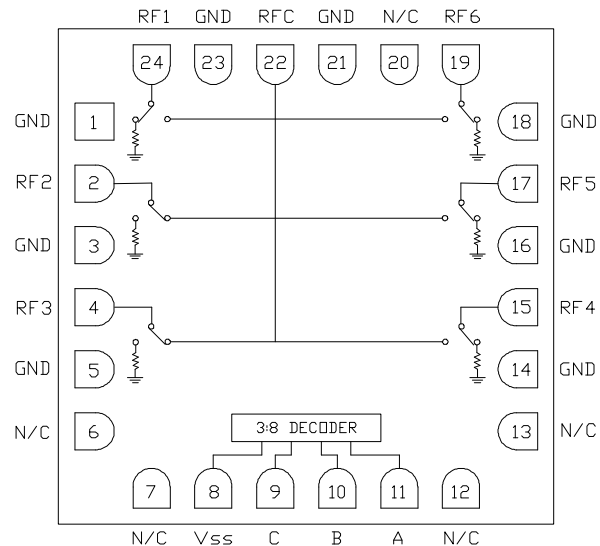
### Features

- ▶ Low loss broadband performance
- ▶ High isolation
- ▶ Non-reflective design
- ▶ Integrated 3:8 TTL decoder
- ▶ Pb-free RoHs compliant 4x4 SMT package

### Description

The CMD236C4 is a broadband MMIC SP6T switch housed in a leadless 4x4 mm surface mount package. The CMD236C4 covers DC to 18 GHz and offers a low insertion loss of 2.5 dB and high isolation of 42 dB at 10 GHz. The switch also includes an on board binary decoder circuit which reduces the number of required logic control lines from five to three. The CMD236C4 operates using complementary control voltage logic lines of 0/-5 V and consumes little DC current.

### Functional Block Diagram



### Electrical Performance - $V_{ctl} = 0/-5\text{ V}$ , $V_{ss} = -5\text{ V}$ , $T_A = 25\text{ }^\circ\text{C}$ , $F = 10\text{ GHz}$

Parameter	Min	Typ	Max	Units
Frequency Range	DC - 18			GHz
Insertion Loss		2.5		dB
Isolation		42		dB
Return Loss - On State		9		dB
Return Loss RF1, 2, 3, 4, 5, 6 - Off State		9		dB
Input P0.1dB		18		dBm
Switching Speed		60		ns

ver 1.0 0318



# CMD236C4

## DC-18 GHz SP6T Non-reflective Switch

### Specifications

#### Absolute Maximum Ratings

Parameter	Rating
RF Input Power	+27 dBm
Bias Voltage (Vss)	-7V
Control Voltage Range (A,B)	+0.5V to -7.5V
Channel Temperature, Tch	150 °C
Thermal Resistance, $\Theta_{jc}$	64.1 °C/W
Operating Temperature	-40 to 85 °C
Storage Temperature	-55 to 150 °C

Exceeding any one or combination of the maximum ratings may cause permanent damage to the device.

#### Bias Voltage & Current

Vss Range = -5.0V ± 10%		
Vss (V)	Iss (Typ) (mA)	Iss (Max) (mA)
-5	9	18

#### TTL/CMOS Control Voltages

State	Bias Condition
Low	-1V to 0V @ 1 mA Typ
High	-7V to -3V @ 1 uA Typ

#### Truth Table

Control Input			Signal Path State
A	B	C	RFC to:
High	High	High	RF1
Low	High	High	RF2
High	Low	High	RF3
Low	Low	High	RF4
High	High	Low	RF5
Low	High	Low	RF6
Low	Low	Low	All OFF *

\* RFC is reflective in All Off state

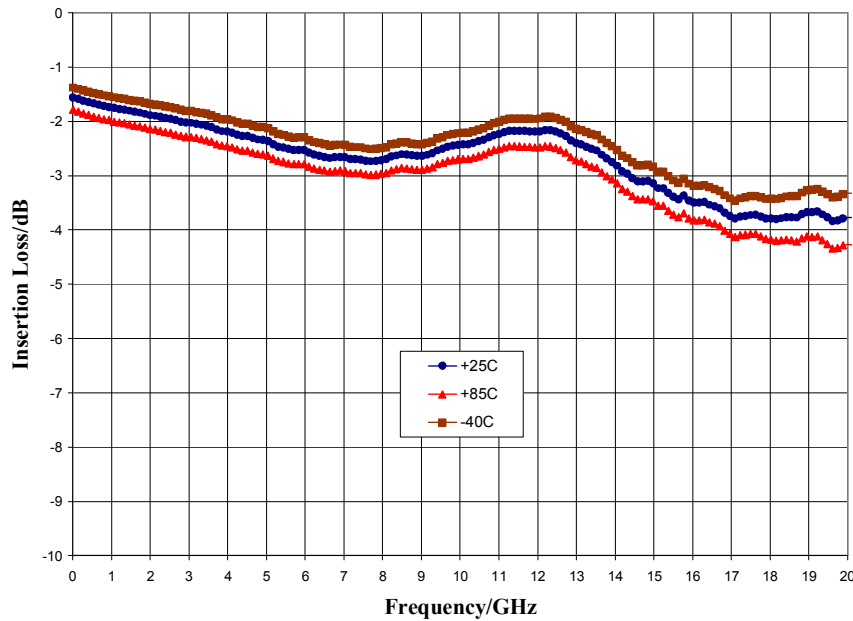
#### Electrical Specifications - $V_{ctl} = 0/-5 V$ , $V_{ss} = -5 V$ $T_A = 25 °C$

Parameter	Min	Typ	Max	Min	Typ	Max	Min	Typ	Max	Units
Frequency Range	DC - 6			DC - 14			DC - 18			GHz
Insertion Loss		2.5	3		2.8	3.3		3.5	4.3	dB
Isolation	42	47		31	36		29	35		dB
Return Loss - On State		12			9			10		dB
Return Loss - Off State		12			9			8		dB
Input P0.1dB		16			16			16		dBm
Input IP3		34			34			34		dBm
Switching Speed		60			60			60		ns

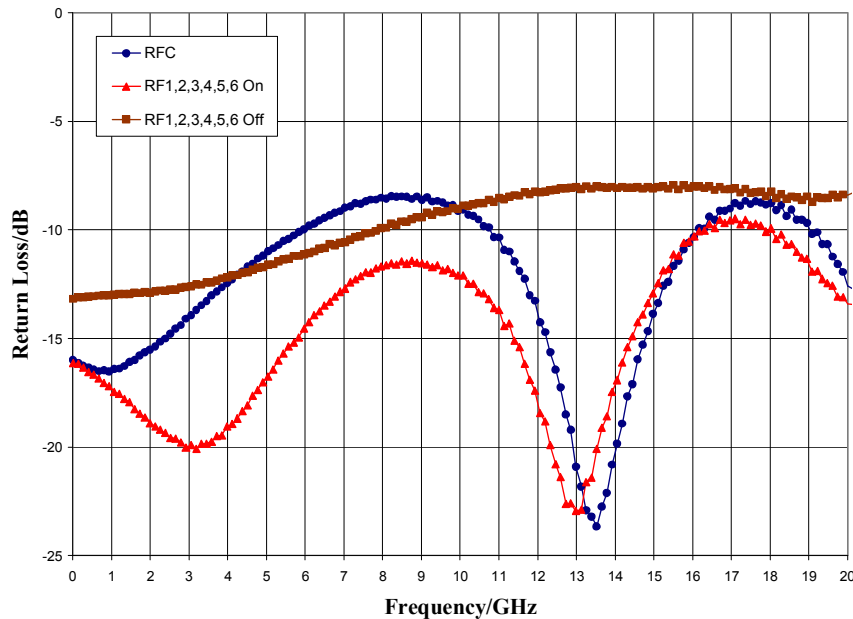
ver 1.0 0318

### Typical Performance

#### Insertion Loss vs. Temperature



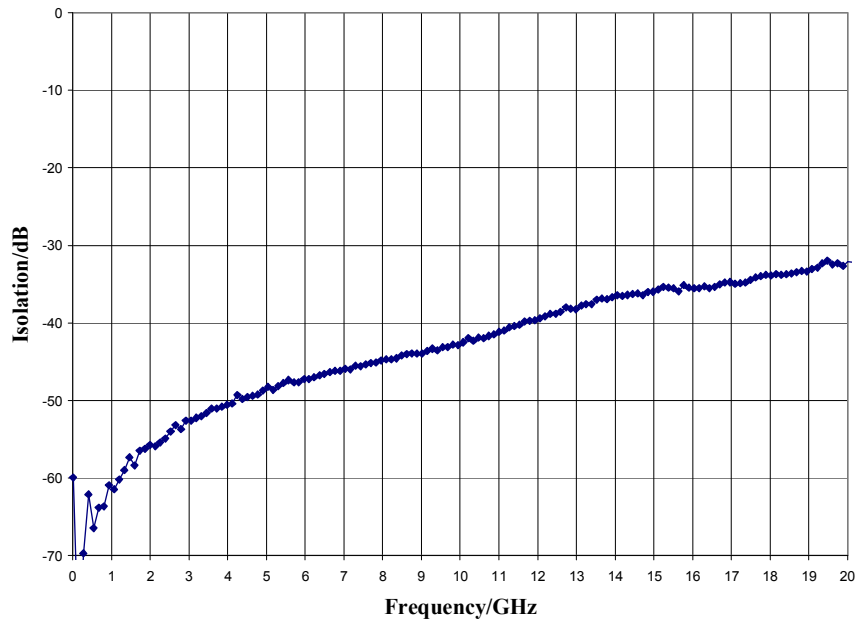
#### Return Loss



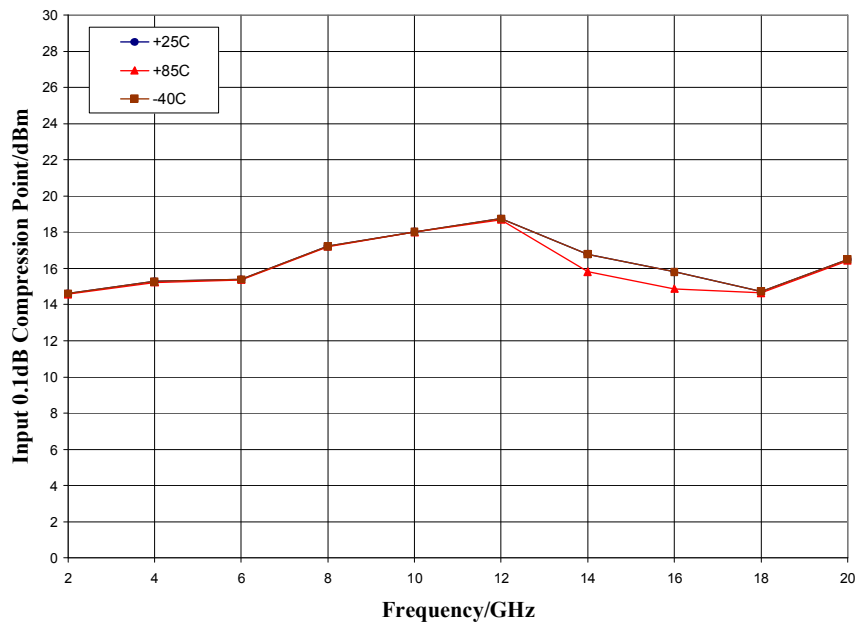
ver 1.0 0318

### Typical Performance

#### Isolation Between Ports RFC and RF1/RF2/RF3/RF4/RF5/RF6

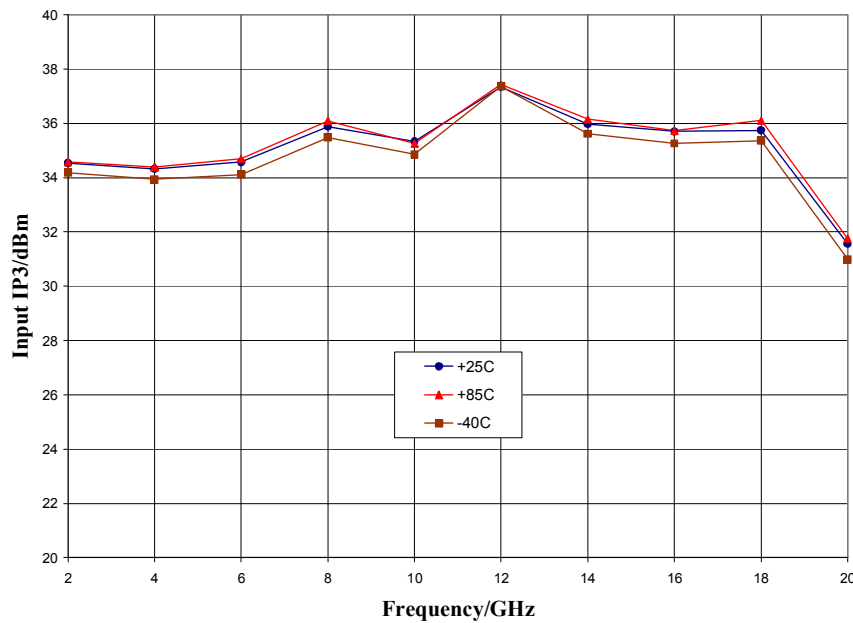


#### Input P0.1dB Compression Point vs. Temperature

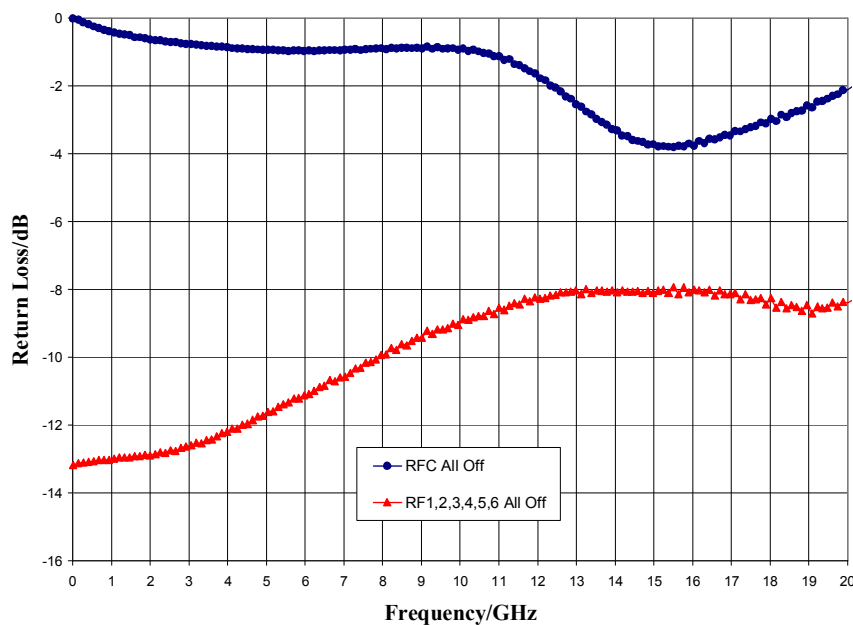


### Typical Performance

#### Input Third Order Intercept Point vs. Temperature

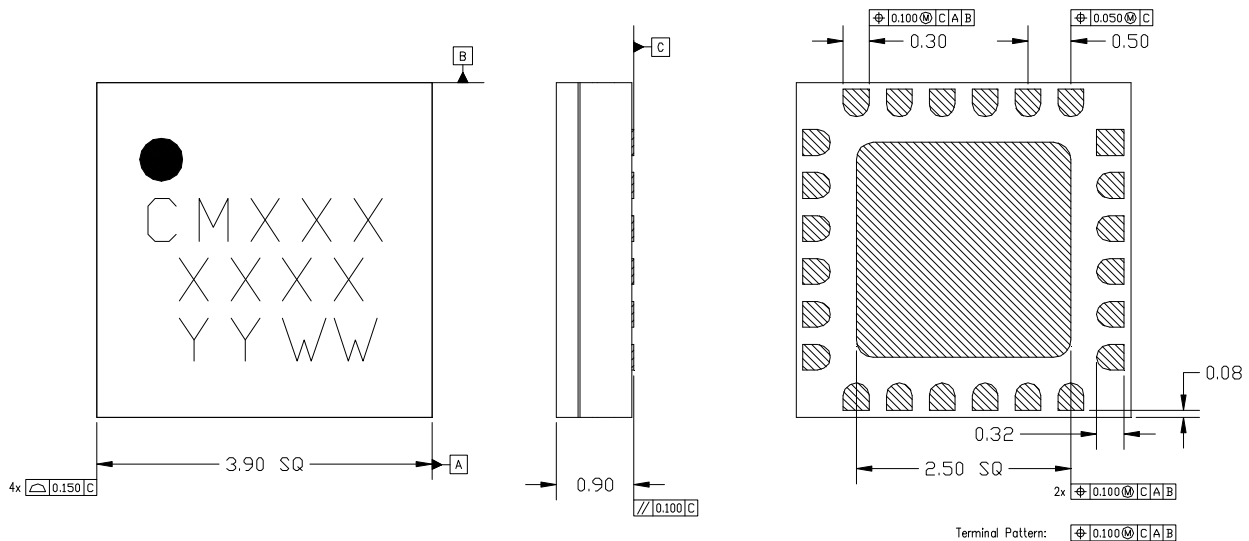


#### Return Loss, All Off State



### Mechanical Information

#### Package Information and Dimensions



- NOTES:
1. ALL DIMENSIONS SHOWN IN mm.
  2. MATERIAL: BLACK ALUMINA
  3. LEAD FINISH:
    - 3.1. Ni: 8.89um MAX, 1.27um MIN
    - 3.2. Pd: 0.17um MAX, 0.07um MIN
    - 3.3. Au: 0.254um MAX, 0.03um MIN
  4. MARKING
    - 4.1. LINE 1: PART NUMBER
      - 4.1.1. EXAMPLE: CMD191C4 SHALL BE MARKED AS CM191
    - 4.2. LINE 2: LOT NUMBER
    - 4.3. LINE 3: DATE CODE - LAST 2 DIGITS OF THE YEAR OF MANUFACTURE FOLLOWED BY A 2 DIGIT WEEK CODE
  5. ALTERNATE PIN #1 IDENTIFIER IS A SINGLE SQUARE PAD
  6. ALTERNATE DIE PADDLE MAY HAVE CHAMFERED CORNERS

#### Recommended PCB Land Pattern

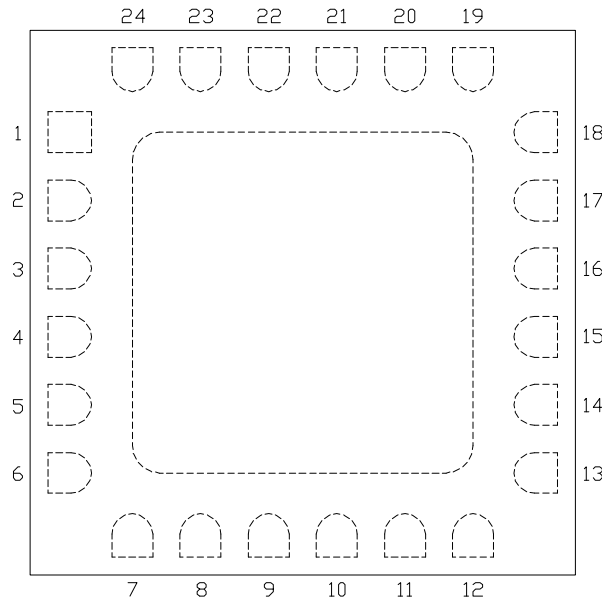
Custom MMIC Design Services recommends that the user develop the land pattern that will provide the best design for proper solder reflow and device attach for their specific application. Please review Custom MMIC Application Note AN 105 for a recommended land pattern approach.

#### Recommended Solder Reflow Profile

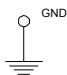
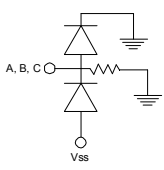
Custom MMIC Design Services recommends screen printing with belt furnace reflow to ensure proper solder reflow and device attach. Please review Custom MMIC Application Note AN 102 for a recommended solder reflow profile.

### Pin Description

#### Pin Diagram



#### Functional Description

Pin	Function	Description	Schematic
1,3,5,14,16, 18,21,23 and die paddle	Ground	Connect to RF/DC ground	
6, 7,12,13,20	N/C	No connection required. These pins may be connected to RF/DC ground	
2,4,15,17, 19,22,24	RF2, RF3, RF4, RF5, RF6, RFC, RF1	These pins are DC coupled and matched to 50 Ohm. Blocking capacitors are required if RF line potential is not equal to 0V	
8	Vss	Power supply voltage	
9	CTLC	See truth table and control voltage table	
10	CTLB	See truth table and control voltage table	
11	CTLA	See truth table and control voltage table	

ver 1.0 0318