



## CMD69423P

### 2-Port MIMO Ceiling Mount Antenna

#### 698-960 MHz/1300-4200 MHz

The CMD69423P, using patent pending technology, is an indoor, low PIM, 2-port, omni-directional, ceiling mount antenna. The antenna is designed to deliver best-in-class performance for indoor requirements, operating between 698-960 MHz and 1300-4200 MHz. The individual antenna elements are designed with linear, vertical, and horizontal components and are optimized to radiate a specifically shaped pattern for optimal performance when installed on a ceiling.

### FEATURES AND BENEFITS

- Wide bandwidth: 698-960 MHz and 1300-4200 MHz
- Services CBRS and 5G spectrum to 4200 MHz
- Low profile aesthetically-neutral housing
- Full Plenum rating
- Low port-to-port correlation, ensuring optimal MIMO performance
- Low PIM

#### ELECTRICAL SPECIFICATION

Operating Frequency (MHz)	698-806	824 - 960	1350 - 1550	1690 - 2180	2300 - 2700	3300 - 4200
Number of Ports	2 x 2 MIMO					
VSWR - Max	2:1					
Gain (dBi) - Max	3.9	5.3	6.0	6.1	6.8	6.7
PIM - 2x20W (dBc)	< -150					
Isolation Port 1 - 2 (dB) - Max	-15	-15	-15	-16	-26	-20
Nominal Impedance (Ohms)	50					
Max Power - Ambient 25°C (W)	50					
Polarization	Linear, vertical and horizontal					
Vertical Plane 3 dB Beamwidth Port N	See radiation patterns					
Horizontal Plane 3 dB Beamwidth Port N	See radiation patterns					

#### MECHANICAL SPECIFICATION

Dimensions - diameter x height - mm (inches)	218.7 x 43.5 (8.6 x 1.71)
Weight - g (lbs.)	430 (0.95)
Cable Length cm (in)	30 (11.8)
Radome Material	PC + ABS
Mounting	Ceiling mount (flush mount with screws and anchors)

## ENVIRONMENTAL SPECIFICATION

Operating Environment (Indoor or Outdoor)	Indoor
Operating Temperature - °C (°F)	-30 to +70°C (-22 to +158°F)
Storage Temperature - °C (°F)	-40 to +85°C (-22 to +158°F)
Flammability Rating	UL94-V0
Material Substance Compliance	RoHS
Standard for Safety: Information Technology Equipment	UL/CSA/EN/IEC/CB-Scheme 60950-1 Listed
Standard for Safety: Fire and Smoke (Plenum)*	UL 2043 Certified

## CONFIGURATION

PART NUMBER	CABLE LENGTH	CONNECTOR	PACKAGING
CMD69423P-30D43F	Dual 30 cm	Dual Female 4.3-10	Unit-packed
CMD69423P-30NF	Dual 30 cm	Dual Female N	Unit-packed
CMD69423P-B30D43F	Dual 30 cm	Dual Female 4.3-10	Bulk-packed
CMD69423P-B30NF	Dual 30 cm	Dual Female N	Bulk-packed

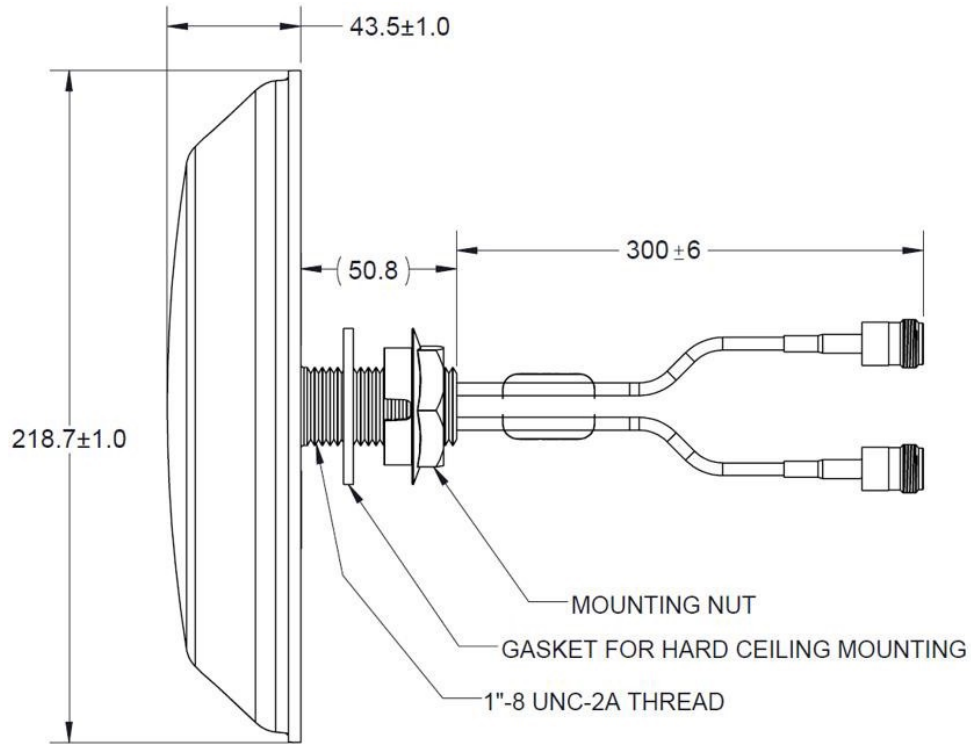
## PACKAGING INFORMATION

PART NUMBER	DESCRIPTION
161-00155	Master carton
161-00070-B	Carton insert
161-00070-A	Unit carton

PACKAGED DIMENSION	CARTON	AIR PALLET	OCEAN PALLET
Number of Antennas	3	72	90
Height - cm (in.)	31.7 (12.48)	141.0 (55.51)	173.0 (68.11)
Length - cm (in.)	53.4 (21.02)	120.0 (47.24)	120.0 (47.24)
Width - cm (in.)	26.5 (10.43)	80.0 (31.50)	80.0 (31.50)
Shipping Weight - kg (lb.)	-	122 (270.0)	145 (320.0)

PACKAGED DIMENSION -BULK	CARTON	AIR PALLET	OCEAN PALLET
Number of Antennas	8	192	240
Height - cm (in.)	31.7 (12.48)	141.0 (55.51)	173.0 (68.11)
Length - cm (in.)	53.4 (21.02)	120.0 (47.24)	120.0 (47.24)
Width - cm (in.)	26.5 (10.43)	80.0 (31.50)	80.0 (31.50)
Shipping Weight - kg (lb.)	-	155 (341.7)	185 (407.9)

## MECHANICAL DRAWING



## RADIATION PATTERNS

