



Features

- Two resistance-matched PTCs in a plastic housing
- Narrow resistance tolerance
- RoHS compliant*

Applications

Used as a secondary overcurrent protection device in:

- Customer Premise Equipment (CPE)
- Central Office (CO)
- Access equipment

CMF-SDP Series - Telecom CPTC Resettable Fuses

Electrical Characteristics

Model	Induction Voltage Withstand	Rated Voltage	Rated Resistance (RN)		Resistance Matching in Housing	Hold Current	Trip Current	Imax @ 230 VAC	Typ. Time to Trip @ Imax / 230 VAC
	VAC		Volts	Ohms	Tolerance				
CMF-SDP07	250	230	7	±20 %	≤1.0	0.080	0.200	3.0	0.45
CMF-SDP10	250	230	10	±20 %	≤1.0	0.180	0.360	1.0	3.8
CMF-SDP10A	250	230	10	±20 %	≤1.0	0.150	0.360	1.0	3.8
CMF-SDP25	250	230	25	±20 %	≤1.0	0.130	0.260	2.8	0.2
CMF-SDP25A	250	230	25	±20 %	≤1.0	0.130	0.260	2.8	0.3
CMF-SDP35	600	230	35	+15/-20 %	≤1.0	0.110	0.230	4.6	0.06
CMF-SDP35A	600	230	35	+15/-20 %	≤1.0	0.110	0.230	2.5	0.2
CMF-SDP50	600	230	50	±15 %	≤1.0	0.090	0.190	2.5	0.13
CMF-SDP50A	600	230	50	±15 %	≤1.0	0.090	0.190	2.5	0.2
CMF-SDP75	600	230	75	±20 %	≤2.0	0.070	0.150	2.5	0.12

Operating Temperature Range: -40 °C to +125 °C.

Test Procedures And Requirements For Model CMF-SDP Series

Test	Primary Protection	Test Condition	Requirements
Mains Power Contact - ITU-T K.20, K.21	None	230 V rms, 10 ohms, 15 Min.	(Ri-Rf) / Ri < ±10 %
Power Induction - ITU-T K.20, K.21	None	600V rms, 600 ohms, 0.2 seconds, 10 cycles, every 1 Min.	(Ri-Rf) / Ri < ±10 %
Power Induction - ITU-T K.20, K.21	GDT	600 V rms, 600 ohms, 1 second, 10 cycles, every 1 Min.	(Ri-Rf) / Ri < ±10 %
Power Induction - ITU-T K.20, K.21	GDT	600 V rms, 200 ohms, 1 second, 10 cycles, every 1 Min.	(Ri-Rf) / Ri < ±10 %
Lightning Surge - ITU-T K.20, K.21		10/700 μs, 25 ohms, 1.0 kV, 10 Tests, every 1 Min.	(Ri-Rf) / Ri < ±10 %
Lightning Surge		10/1000 μs, 60 ohms, 1.5 kV, 30 Tests, every 3 Min.	(Ri-Rf) / Ri < ±10 %

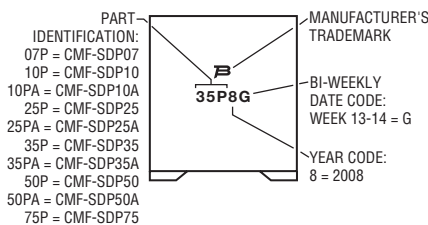
Ri = R initial; Rf = R final

Moisture Sensitivity Level (MSL) Level 1

ESD Classification - HBM Class 6

Typical Part Marking

Represents total content. Layout may vary.



How to Order

CMF - SD P 35 A - XX - 2

Product Designator	CMF - SD P 35 A - XX - 2
Style	SD = Surface Mount Dual Pkg.
Housing	P = Plastic
Rated Resistance (RN)	7-75 (7-75 Ohms)
Footprint and Height Option	Blank = Standard Product A = Reduced Footprint and Height
Resistance Tolerance Option	Blank = Standard -XX = XX %; e.g. -10 = ±10 %
Packaging	- 2 = Tape & Reel

BOURNS®

Asia-Pacific:

Tel: +886-2 2562-4117

Email: asiacus@bourns.com

Europe:

Tel: +36 88 520 390

Email: eurocus@bourns.com

The Americas:

Tel: +1-951 781-5500

Email: americus@bourns.com

www.bourns.com



WARNING Cancer and Reproductive Harm - www.P65Warnings.ca.gov

*RoHS Directive 2002/95/EC Jan. 27, 2003 including annex and RoHS Recast 2011/65/EU June 8, 2011. Specifications are subject to change without notice.

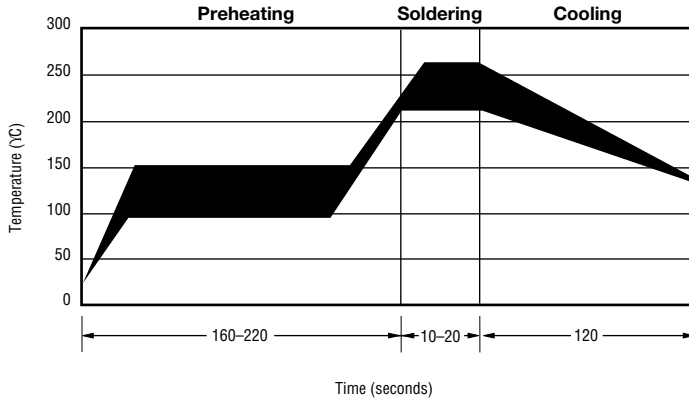
Users should verify actual device performance in their specific applications.

The products described herein and this document are subject to specific legal disclaimers as set forth on the last page of this document, and at www.bourns.com/docs/legal/disclaimer.pdf.

CMF-SDP Series - Telecom CPTC Resettable Fuses

BOURNS®

Solder Reflow Recommendations



Solder reflow

- Recommended reflow methods: IR, vapor phase oven, hot air oven.
- Devices are not designed to be wave soldered to the bottom side of the board.
- Gluing the devices is not recommended.
- Recommended maximum paste thickness is 0.25 mm (.010 inch).
- Devices can be cleaned using standard industry methods and solvents.

Note:

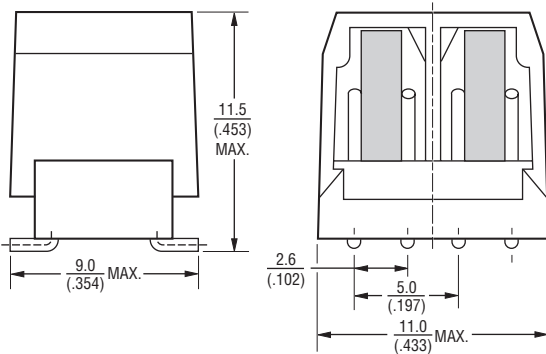
- If reflow temperatures exceed the recommended profile, devices may not meet the performance requirements.

Rework

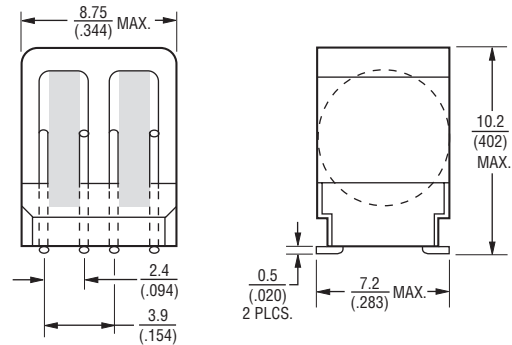
- A device should not be reworked.

Product Dimensions

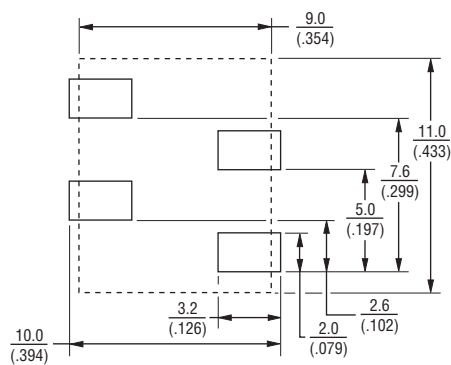
CMF-SDP05, 07, 10, 25, 35, 50 & 75



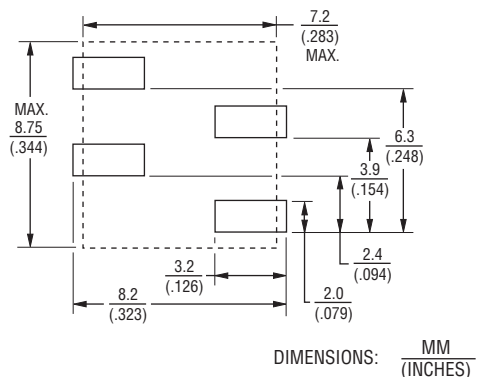
CMF-SDP10A, 25A, 35A, 50A & 75A



Recommended Pad Layout



Packaging - Tape and Reel: 350 pcs. per reel



Packaging - Tape and Reel: 400 pcs. per reel

CMF-SDP SERIES, REV. F, 04/18

Specifications are subject to change without notice.

Users should verify actual device performance in their specific applications.

The products described herein and this document are subject to specific legal disclaimers as set forth on the last page of this document, and at www.bourns.com/docs/legal/disclaimer.pdf.

CMF-SDP Series Tape and Reel Specifications

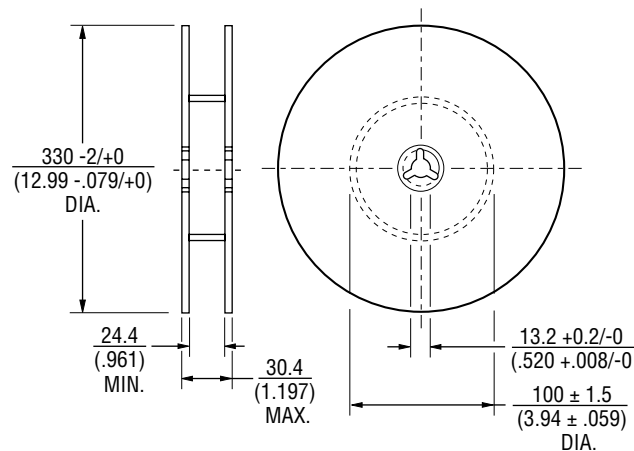
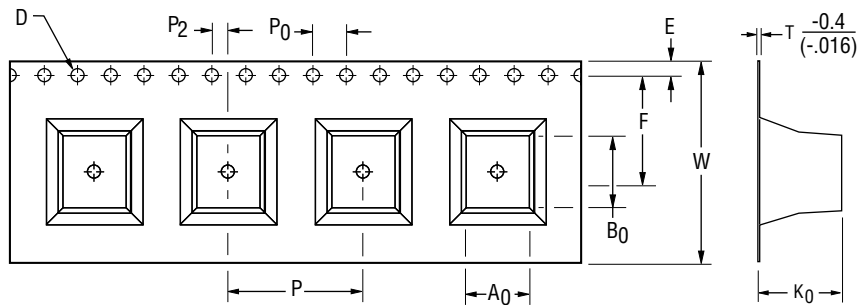
BOURNS®

Tape Dimensions per EIA 481-2

CMF-SDP10-2, CMF-SDP25-2,
CMF-SDP-35-2, CMF-SDP50-2,
CMF-SDP75-2

CMF-SDP10A-2, CMF-SDP25A-2,
CMF-SDP35A-2, CMF-SDP50A-2

W	$\frac{24.0 \pm 0.5}{(0.945 \pm 0.020)}$	$\frac{24.0 \pm 0.5}{(0.945 \pm 0.020)}$
P ₀	$\frac{4.0}{(0.157)}$	$\frac{4.0}{(0.157)}$
P	$\frac{16.0}{(0.630)}$	$\frac{16.0}{(0.630)}$
P ₂	$\frac{2.0}{(0.079)}$	$\frac{2.0}{(0.079)}$
A ₀	$\frac{9.2 \pm 0.2}{(0.362 \pm 0.008)}$	$\frac{7.5 \pm 0.2}{(0.295 \pm 0.008)}$
B ₀	$\frac{11.0 \pm 0.2}{(0.441 \pm 0.008)}$	$\frac{9.0 \pm 0.2}{(0.354 \pm 0.008)}$
D	$\frac{1.5}{(0.059)}$	$\frac{1.5}{(0.059)}$
F	$\frac{11.5}{(0.453)}$	$\frac{11.5}{(0.453)}$
E	$\frac{1.75}{(0.069)}$	$\frac{1.75}{(0.069)}$
t	$\frac{0.5 \pm 0.15}{(0.020 \pm 0.006)}$	$\frac{0.5 \pm 0.15}{(0.020 \pm 0.006)}$
K ₀	$\frac{11.5 \pm 0.2}{(0.453 \pm 0.008)}$	$\frac{10.0 \pm 0.2}{(0.394 \pm 0.008)}$



DIMENSIONS: $\frac{\text{MM}}{\text{(INCHES)}}$

Specifications are subject to change without notice.

Users should verify actual device performance in their specific applications.

The products described herein and this document are subject to specific legal disclaimers as set forth on the last page of this document, and at www.bourns.com/docs/legal/disclaimer.pdf.