



INCLUDES MANUAL RESET

AC Over Current Monitor

SPECIFICATIONS

CONTROL VOLTAGE	24 or 120 VAC; 50/60 Hz	
TRIP POINTS	Pick-up	See order information
	Drop-out	5% below Pick-up (After Manual Reset)
OUTPUT	DPDT, 10 Amp @ 120 VAC Resistive	
HYSTERESIS	5%	
RESPONSE TIME	Operate	0.1 to 5 SEC, Adjustable
INDICATORS	LED Glows On Over Current (Style "E" Enclosure Only)	
RESET	Manual	
TEMPERATURE RATING	Operate	32° to 131°F (0° to +55°C)
	Storage	-49° to 185°F (-45° to +85°C)
ENCLOSURE	Style A	Lexan Dust Cover; 11-pin Plug-in
	Style E	Lexan Surface Mounted: #8-32 Screw Terminals
SOCKET	Style A: RB-11 Style E: 13 oz.	
WEIGHT	6 oz.	

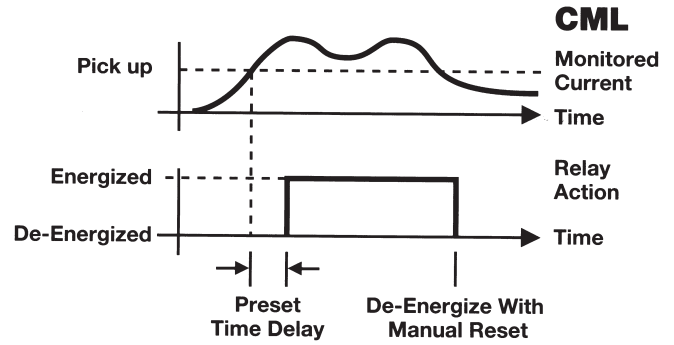
MODEL NUMBER

MODEL NUMBER	CML		A	S		
CONTROL VOLTAGE		24				
24 Volts		24				
120 Volts		120				
TYPE OF CONTROL VOLTAGE			A			
AC			A			
ENCLOSURE STYLE					A	
Plug-In					A	
Surface Mount					E	
CURRENT TRIP POINTS						
0.05 to 0.25 amp adj.						.25
0.2 to 1 amp adj.						1
1.0 to 5.0 amps adj.						5
2.0 to 10 amps adj.						10
4.0 to 20 amps adj. (E Housing Only)						20

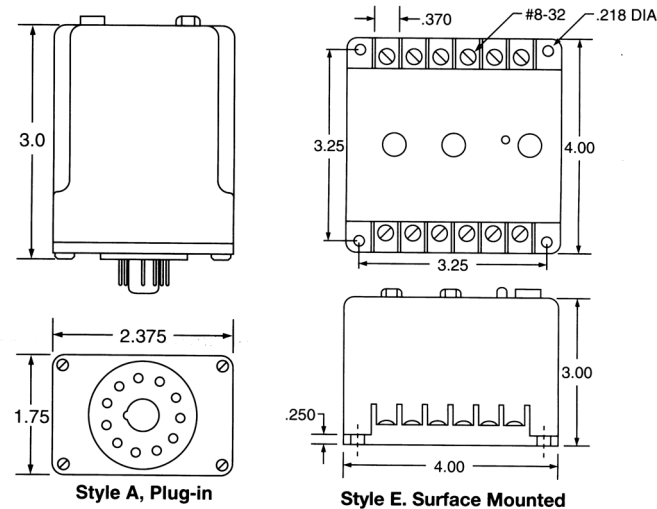
OPERATION

The **CML Series** is used to detect **OVER CURRENT** conditions. The internal relay energizes (Pick-up) when the monitored current exceeds the preset trip point for longer than the adjustable time delay period. The adjustable delay is incorporated to prevent nuisance tripping caused by motor inrush currents. The CML has the **MANUAL RESET** feature. The internal relay de-energizes (Drop-out) when the reset button is pressed. If the current is below the trip point when the button is released, the relay will remain de-energized. If the current is above the trip point, the relay will re-energize.

An External CT may be used to extend the range of the Current Monitor.



DIMENSIONS (INCHES)



WIRING

