



INCLUDES MANUAL RESET

## AC Over Current Monitor

### SPECIFICATIONS

<b>CONTROL VOLTAGE</b>	24 or 120 VAC; 50/60 Hz	
<b>TRIP POINTS</b>	Pick-up	See order information
	Drop-out	5% below Pick-up (After Manual Reset)
<b>OUTPUT</b>	DPDT, 10 Amp @ 120 VAC Resistive	
<b>HYSTERESIS</b>	5%	
<b>RESPONSE TIME</b>	Operate	0.1 to 5 SEC, Adjustable
<b>INDICATORS</b>	LED Glows On Over Current (Style "E" Enclosure Only)	
<b>RESET</b>	Manual	
<b>TEMPERATURE RATING</b>	Operate	32° to 131°F (0° to +55°C)
	Storage	-49° to 185°F (-45° to +85°C)
<b>ENCLOSURE</b>	Style A	Lexan Dust Cover; 11-pin Plug-in
	Style E	Lexan Surface Mounted: #8-32 Screw Terminals
<b>SOCKET</b>	Style A: RB-11 Style E: 13 oz.	
<b>WEIGHT</b>	6 oz.	

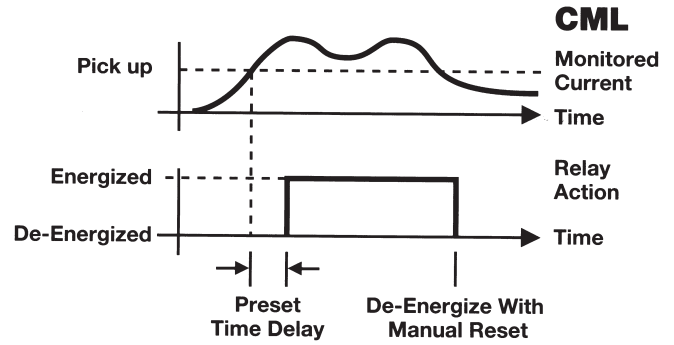
### MODEL NUMBER

<b>MODEL NUMBER</b>	CML		A	S		
<b>CONTROL VOLTAGE</b>						
24 Volts		24				
120 Volts		120				
<b>TYPE OF CONTROL VOLTAGE</b>						
AC			A			
<b>ENCLOSURE STYLE</b>						
Plug-In					A	
Surface Mount					E	
<b>CURRENT TRIP POINTS</b>						
0.05 to 0.25 amp adj.						.25
0.2 to 1 amp adj.						1
1.0 to 5.0 amps adj.						5
2.0 to 10 amps adj.						10
4.0 to 20 amps adj. (E Housing Only)						20

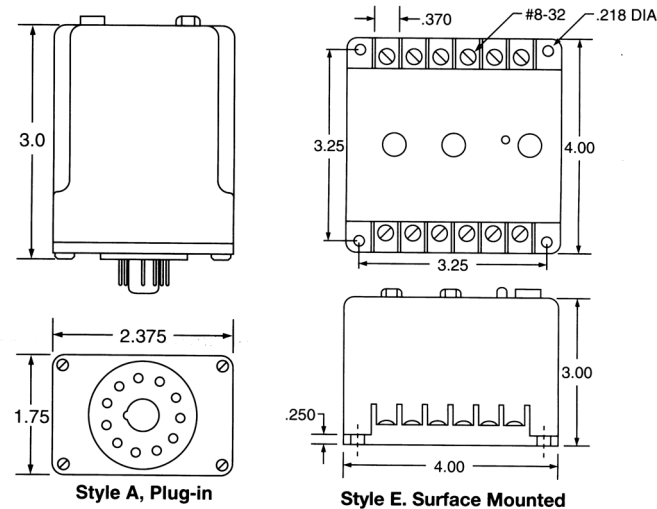
### OPERATION

The **CML Series** is used to detect **OVER CURRENT** conditions. The internal relay energizes (Pick-up) when the monitored current exceeds the preset trip point for longer than the adjustable time delay period. The adjustable delay is incorporated to prevent nuisance tripping caused by motor inrush currents. The CML has the **MANUAL RESET** feature. The internal relay de-energizes (Drop-out) when the reset button is pressed. If the current is below the trip point when the button is released, the relay will remain de-energized. If the current is above the trip point, the relay will re-energize.

An External CT may be used to extend the range of the Current Monitor.



### DIMENSIONS (INCHES)



### WIRING

