

MODEL: CMP-5247TF-K | **DESCRIPTION:** ELECTRET CONDENSER MICROPHONE

FEATURES

- noise cancelling
- 9.7 mm diameter
- solder pads


SPECIFICATIONS

parameter	conditions/description	min	typ	max	units
directivity	noise cancelling				
sensitivity [S]	f = 1 kHz, 1 Pa, 0 dB = 1 V/Pa	-50	-47	-44	dB
standard operating voltage [Vs]			1.5		Vdc
max operating voltage				10	Vdc
output impedance [Zout]	f = 1 kHz, 1 Pa		680		Ω
sensitivity reduction [ΔS -Vs]	f = 1 kHz, 1 Pa, Vs = 1.5 ~ 1.0 Vdc		-3		dB
frequency [f]		100		20,000	Hz
current consumption [IDSS]	Vs = 1.5 Vdc, RL = 680 Ω			0.5	mA
signal to noise ratio [S/N]	f = 1 kHz, 1 Pa, A-weighted		58		dBa
dimensions	$\varnothing 9.7 \times 5.2$				mm
material	aluminum				
terminal	solder pads				
weight				0.75	g
operating temperature		-20		70	$^{\circ}\text{C}$
storage temperature		-20		70	$^{\circ}\text{C}$
RoHS	yes				

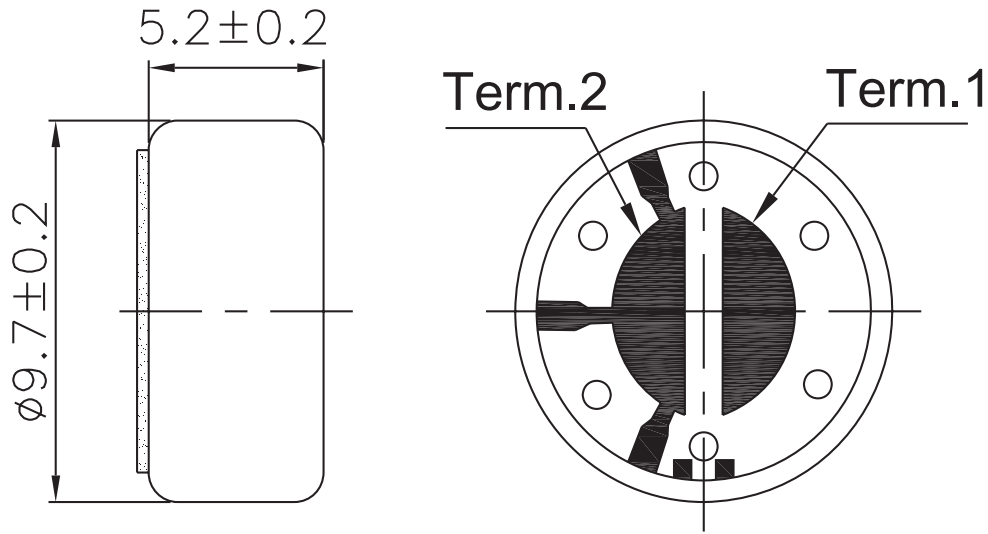
Notes: 1. We use the "Pascal [Pa]" indication of sensitivity as per the recommendation of I.E.C. (International Electrotechnical Commission). The sensitivity of "Pa" will increase 20 dB compared to the "ubar" indication. Example: -60 dB (0 dB = 1 V/ubar) = -40 dB (1 V/Pa)
 2. All specifications measured at 5-35 $^{\circ}\text{C}$, humidity at 45-85%, under 86-106 kPa pressure, unless otherwise noted.

SOLDERABILITY

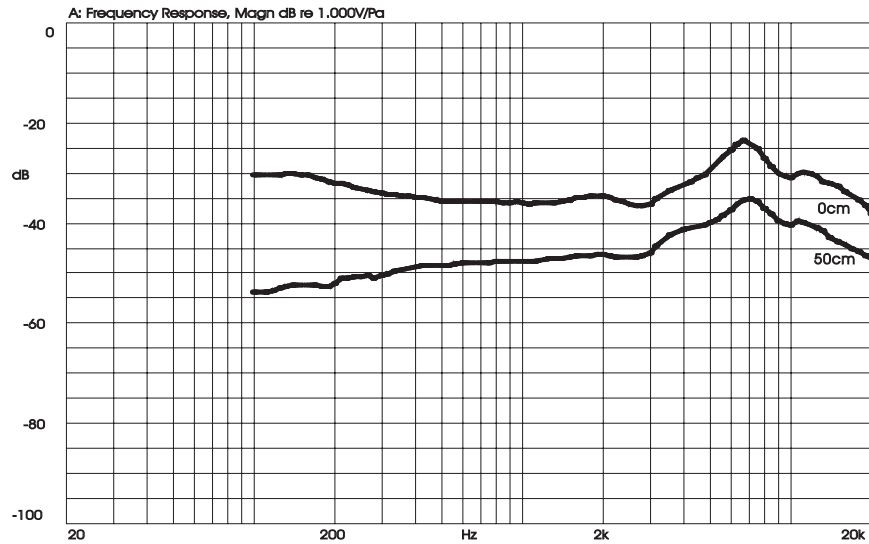
parameter	conditions/description	min	typ	max	units
hand soldering	for 2 ± 0.5 seconds	310	320	330	$^{\circ}\text{C}$

MECHANICAL DRAWING

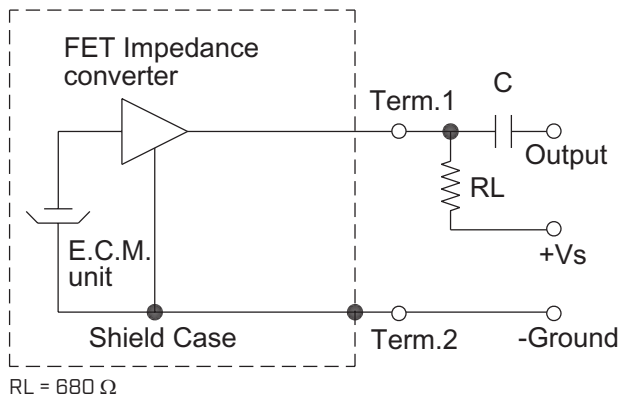
units: mm



FREQUENCY RESPONSE CURVE



APPLICATION CIRCUIT



PACKAGING

units: mm

Inner Box Size: 100 x 100 x 18 mm
 Outer Box Size: 425 x 265 x 110 mm
 Inner Box QTY: 100 pcs per box
 Outer Box QTY: 10,000 pcs per box

Lot No.	XXXXXXXXXX
Model No.	XXXXXXXXXX
Quantity.	XXXX Pcs
Date:	DD MM YY
	MADE IN CHINA

* The label stuck on inner boxes and the outer of carton.

