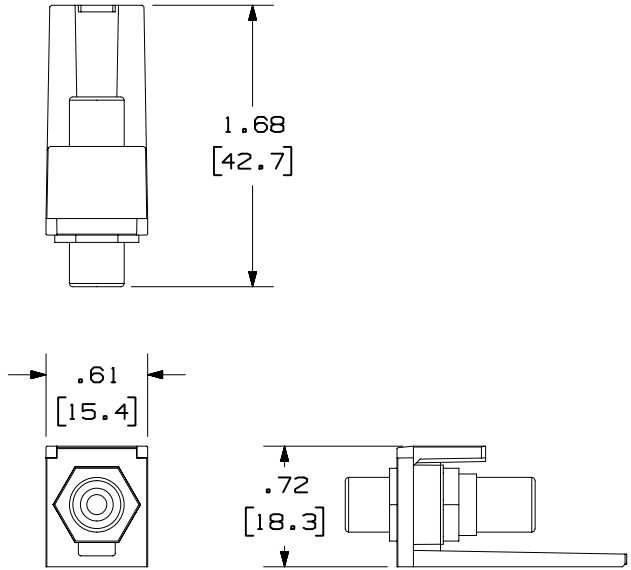


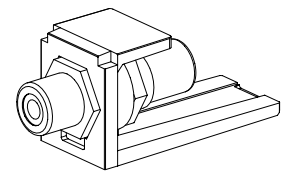
THIS COPY IS PROVIDED ON A RESTRICTED BASIS AND IS NOT TO BE USED IN ANY WAY DETRIMENTAL TO THE INTERESTS OF PANDUIT CORP.



PANDUIT P/N	WEIGHT
CMRPR**	.27 LB/10 PCS (122.5 g/10 PCS)
CMRPW**	
CMRPY**	
CMRPB**	
CMRPG**	



- NOTES:
- SEE CURRENT CATALOG FOR ADDITIONAL PART NUMBER SUFFIXES TO INDICATE COLOR AND OR PACKAGE QUANTITY.
 - SEE CATALOG FOR COMPLETE LIST OF PARTS APPLICABLE FOR USE WITH THIS PART.
 - DIMENSIONS IN PARENTHESES ARE IN METRIC.
 - "**" INDICATES COLOR SUFFIX.



CAD FILENAME/LAYERS		M00829AA_DC_00C.PRT	
PANDUIT CORP. TINLEY PARK, ILLINOIS			
RCA COUPLER MODULE (CMRPX**) CUSTOMER DRAWING			
UNLESS OTHERWISE SPECIFIED, DIMENSIONAL TOLERANCES ARE: (.X) ± (.XXX) ±.010 (.3) (.XX) ±.03 (.8) ANGLES ±		UNLESS OTHERWISE SPECIFIED, ALL DIMENSIONS ARE GIVEN IN INCHES, THIRD ANGLE PROJECTION.	
2	9-10-03	JsP	B. ADDED CMRPB** AND CMRPG**.
1	3-23-01	JsP	SEZ A. REVISED NOTES.
R	3-30-00	JsP	SEZ RELEASED TO PRODUCTION.
REV	DATE	BY	CHK DESCRIPTION ECN CHK CUST SUP
DRAWN BY		MAT'L:	
DATE		SCALE	
CHECKED BY		DRAWING NO.	
		DWG	
		SIZE	
		NONE	
		00829-03	
		A	