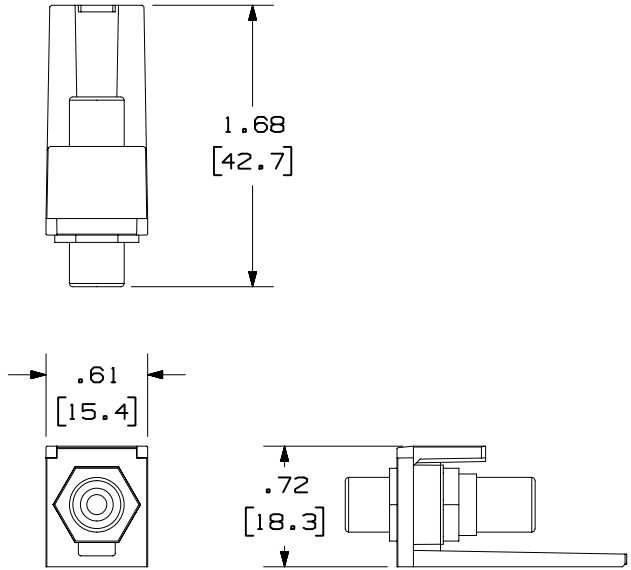


THIS COPY IS PROVIDED ON A RESTRICTED BASIS AND IS NOT TO BE USED IN ANY WAY DETRIMENTAL TO THE INTERESTS OF PANDUIT CORP.

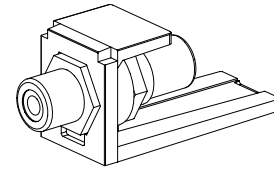


| PANDUIT P/N | WEIGHT |
|-------------|-----------------------------------|
| CMRPR** | .27 LB/10 PCS (122.5 g/10 PCS) |
| CMRPW** | |
| CMRPY** | |
| CMRPB** | |
| CMRPG** | |



NOTES:

1. SEE CURRENT CATALOG FOR ADDITIONAL PART NUMBER SUFFIXES TO INDICATE COLOR AND OR PACKAGE QUANTITY.
2. SEE CATALOG FOR COMPLETE LIST OF PARTS APPLICABLE FOR USE WITH THIS PART.
3. DIMENSIONS IN PARENTHESES ARE IN METRIC.
4. "***" INDICATES COLOR SUFFIX.



CAD FILENAME/LAYERS M00829AA_DC_00C.PRT

PANDUIT CORP. TINLEY PARK, ILLINOIS

RCA COUPLER MODULE
(CMRPX**) CUSTOMER DRAWING

UNLESS OTHERWISE SPECIFIED,
DIMENSIONAL TOLERANCES ARE:
(.X) ± (.XXX) ±.010 (.3)
(.XX) ±.03 (.8) ANGLES ±

UNLESS OTHERWISE SPECIFIED,
ALL DIMENSIONS ARE GIVEN
IN INCHES, THIRD ANGLE PROJECTION.

| REV | DATE | BY | CHK | DESCRIPTION | ECN | CHK | CUST | SUP |
|-----|---------|-----|-----|-------------------------------|----------|-----|------|-----|
| 2 | 9-10-03 | JsP | | B. ADDED CMRPB** AND CMRPG**. | 00829-03 | | | |
| 1 | 3-23-01 | JsP | SEZ | A. REVISED NOTES. | 00829-03 | | | |
| R | 3-30-00 | JsP | SEZ | RELEASED TO PRODUCTION. | 00829-03 | SEZ | | |

| | | |
|-------------------|--------|-------------------------|
| DRAWN BY JsP | MAT'L: | SCALE NONE |
| DATE 3-30-00 | | DRAWING NO. 00829-03 |
| CHECKED BY SEZ | | DWG A SIZE |