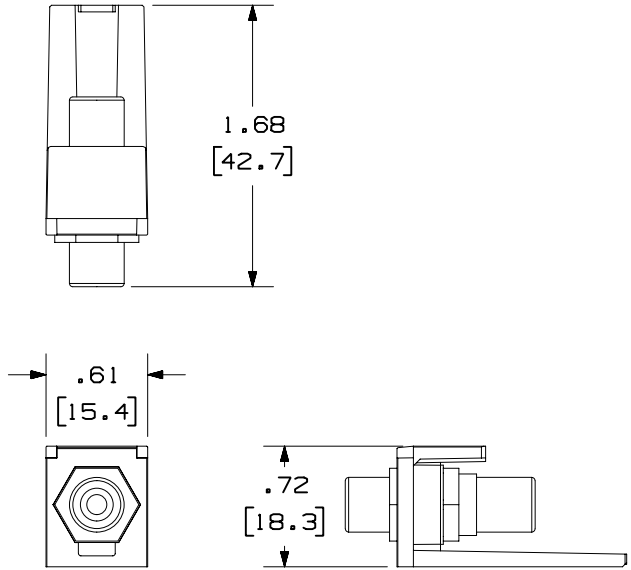


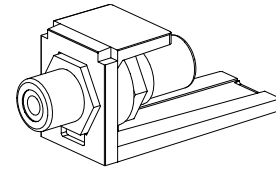
THIS COPY IS PROVIDED ON A RESTRICTED BASIS AND IS NOT TO BE USED IN ANY WAY DETRIMENTAL TO THE INTERESTS OF PANDUIT CORP.



PANDUIT P/N	WEIGHT
CMRPR**	.27 LB/10 PCS (122.5 g/10 PCS)
CMRPW**	
CMRPY**	
CMRPB**	
CMRPG**	



- NOTES:
- SEE CURRENT CATALOG FOR ADDITIONAL PART NUMBER SUFFIXES TO INDICATE COLOR AND OR PACKAGE QUANTITY.
  - SEE CATALOG FOR COMPLETE LIST OF PARTS APPLICABLE FOR USE WITH THIS PART.
  - DIMENSIONS IN PARENTHESES ARE IN METRIC.
  - "\*\*" INDICATES COLOR SUFFIX.



CAD FILENAME/LAYERS M00829AA\_DC\_00C.PRT

**PANDUIT** CORP. TINLEY PARK, ILLINOIS

RCA COUPLER MODULE  
(CMRPX\*\*) CUSTOMER DRAWING

UNLESS OTHERWISE SPECIFIED,  
DIMENSIONAL TOLERANCES ARE:  
(.X) ± (.XXX) ±.010 (.3)  
(.XX) ±.03 (.8) ANGLES ±

UNLESS OTHERWISE SPECIFIED,  
ALL DIMENSIONS ARE GIVEN  
IN INCHES, THIRD ANGLE PROJECTION.

REV	DATE	BY	CHK	DESCRIPTION	ECN	CHK	CUST	SUP
2	9-10-03	JSP		B. ADDED CMRPB** AND CMRPG**.	00829-03			
1	3-23-01	JSP	SEZ	A. REVISED NOTES.	00829-03			
R	3-30-00	JSP	SEZ	RELEASED TO PRODUCTION.	00829-03	SEZ		

DRAWN BY JSP	MAT'L:	SCALE NONE
DATE 3-30-00		DRAWING NO. 00829-03
CHECKED BY SEZ		DWG A SIZE