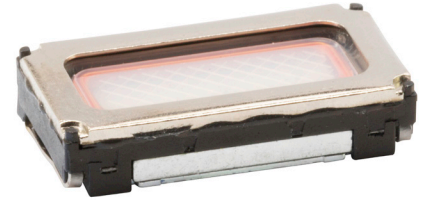


**MODEL:** CMS-150803-088S-X8 | **DESCRIPTION:** SPEAKER**FEATURES**

- IPX8 rated
- 8  $\Omega$
- rated 0.8 W

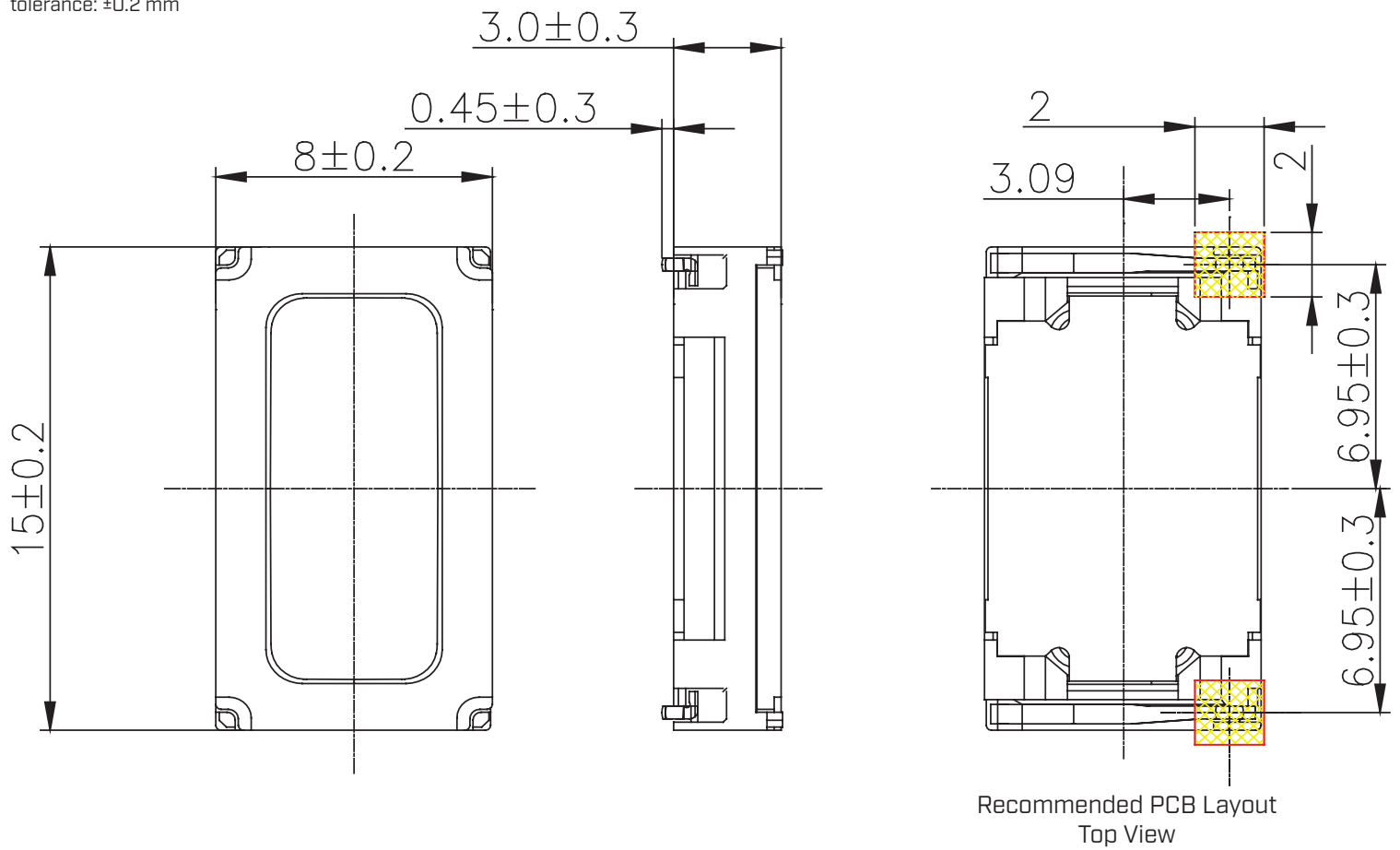
**SPECIFICATIONS**

parameter	conditions/description	min	typ	max	units
input power	max power: as per IEC-268-5, in 3.5 cc box		0.8	1.2	W
impedance	at 2.0 kHz, 2.53 Vrms	6.4	8	9.6	$\Omega$
resonant frequency (Fo)	at 2.53 Vrms, 10 cm in 3.5 cc box	960	1,200	1,440	Hz
frequency response		Fo		20,000	Hz
sound pressure level	at 2.53 Vrms, 10 cm, avg at 1.2, 1.5, 2.0 kHz in 3.5 cc box	90	93	96	dB
distortion	at 2.0 kHz, 2.53 Vrms, 10 cm			10	%
buzz, rattle, etc.	must be normal at sine wave, 0.2~ 2 kHz in 3.5 cc box			2.53	V
polarity	cone moves forward w/ positive dc current to "+" terminal				
dimensions	15 x 8 x 3				mm
magnet	Nd-Fe-B				
frame material	PPA				
cone material	PEEK				
terminal	spring contacts				
weight			1.5		g
operating temperature		-20		70	$^{\circ}$ C
storage temperature		-40		85	$^{\circ}$ C
RoHS	yes				
IP level	IPX8 (front side)				

Notes: 1. All specifications measured at 15~35 $^{\circ}$ C, humidity at 25~75%, under 86~106 kPa pressure, unless otherwise noted.

## MECHANICAL DRAWING

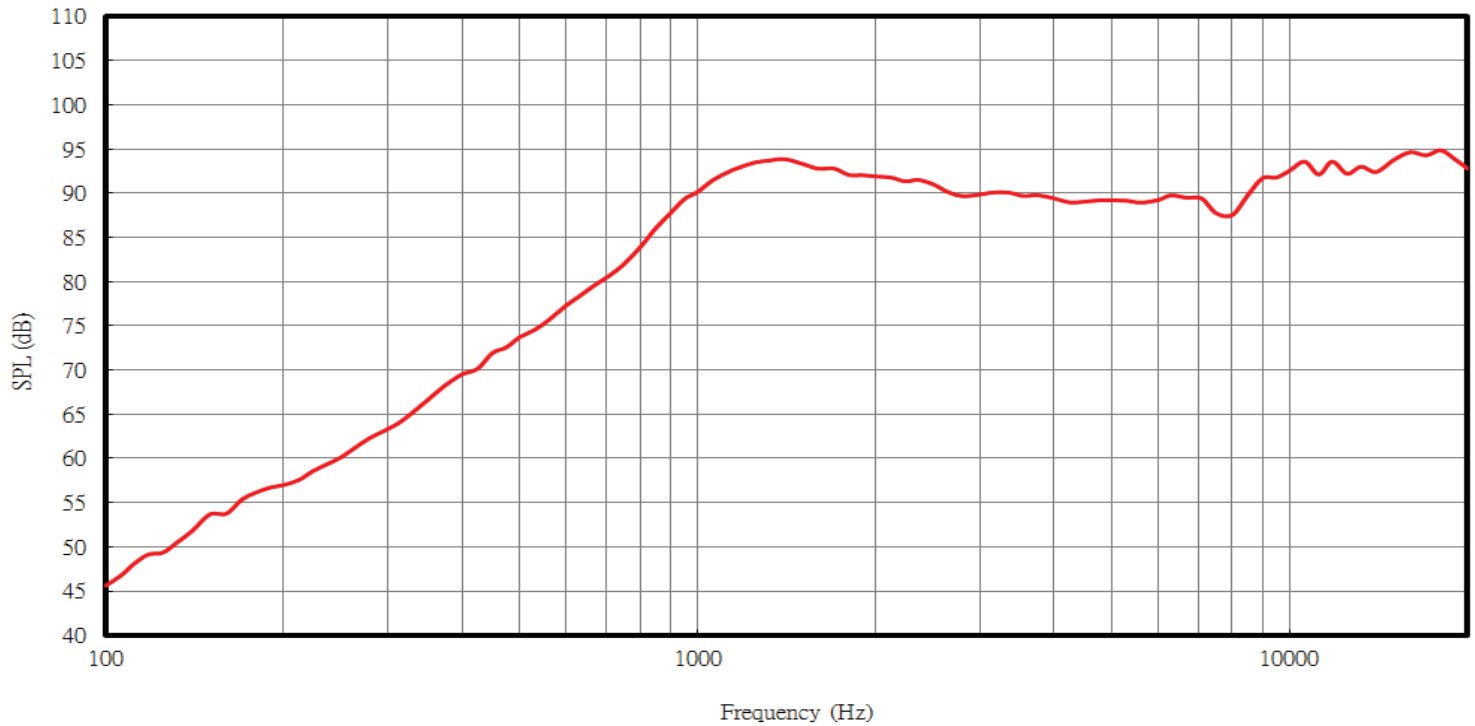
units: mm  
tolerance:  $\pm 0.2$  mm



## RESPONSE CURVES

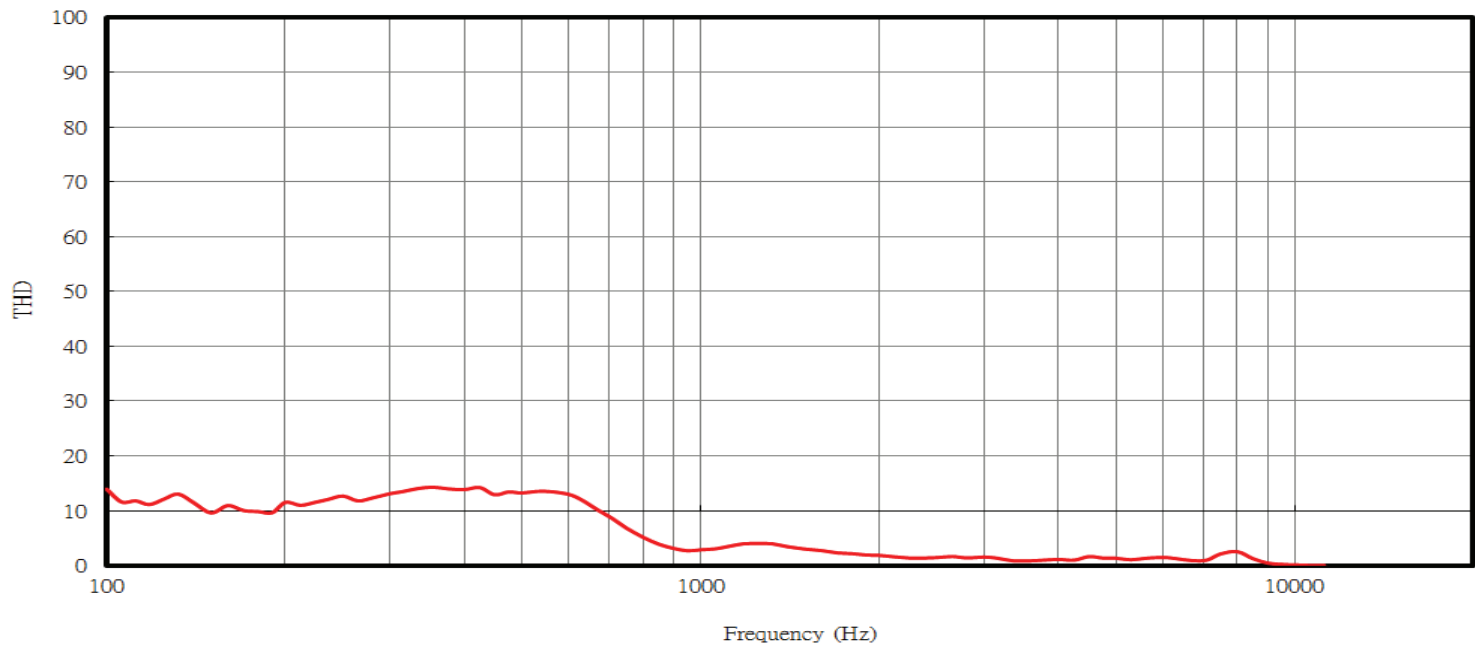
### Frequency Response Curve

Test Conditions: 2.53 Vrms / 10 cm, in 3.5 cc box



### Total Harmonic Distortion Curve

Test Conditions: 2.53 Vrms / 10 cm, in 3.5 cc box



## PACKAGING

units: mm

Tray QTY: 100 pcs per tray  
 Carton Size: 470 x 300 x 310 mm  
 Carton QTY: 5,000 pcs per carton

