

**SERIES:** CMS-151125-076X | **DESCRIPTION:** SPEAKER**FEATURES**

- micro-speaker
- 6  $\Omega$  impedance
- rated 0.7 W
- 5 available terminal options

**SPECIFICATIONS**

| parameter               | conditions/description                                    | min  | typ  | max    | units        |
|-------------------------|---|------|------|--------|--------------|
| input power             | max power: as per IEC-268-5, in 1 cc box                  |      | 0.7  | 1.0    | W            |
| impedance               | at 2.0 kHz, 2.05 Vrms                                     | 4.8  | 6    | 7.2    | $\Omega$     |
| coil resistance         |   | 4.86 | 5.4  | 5.94   | $\Omega$     |
| resonant frequency (Fo) | at 1.0 Vrms in free air, 10 cm                            | 440  | 550  | 660    | Hz           |
|                         | at 2.05 Vrms in 1 cc box, 10 cm                           | 680  | 850  | 1,020  | Hz           |
| frequency response      |   | 100  |      | 20,000 | Hz           |
| sound pressure level    | at 0.7 W, 10 cm, avg 0.8, 1.0, 1.5, 2.0 kHz, 1 cc box     | 89.5 | 92.5 | 95.5   | dB           |
| distortion              | at 800~1,200 Hz, 2.05 Vrms, 10 cm                         |      |      | 15     | %            |
|                         | at 1,201~5,000 Hz, 2.05 Vrms, 10 cm                       |      |      | 10     | %            |
| buzz, rattle, etc.      | must be normal at sine wave, 0.2~2 kHz, 1 cc box          |      |      | 2.05   | Vrms         |
| polarity                | cone moves forward w/ positive dc current to "+" terminal |      |      |        |              |
| dimensions              | 15 x 11 x 2.5   |      |      |        | mm           |
| magnet                  | Nd-Fe-B   |      |      |        |              |
| cone material           | mylar   |      |      |        |              |
| weight                  |   |      | 1.5  |        | g            |
| operating temperature   |   | -20  |      | 70     | $^{\circ}$ C |
| storage temperature     |   | -40  |      | 85     | $^{\circ}$ C |
| hand soldering          | for maximum 3 seconds (N/A for spring contacts)           |      |      | 380    | $^{\circ}$ C |
| RoHS                    | yes   |      |      |        |              |

Notes: 1. All specifications measured at 15~35 $^{\circ}$ C, humidity at 25~75%, under 86~106 kPa pressure, unless otherwise noted.

**PART NUMBER KEY****CMS-151125-076 XX**

Base Number

Termination Options:

S = spring contacts

SP = solder pads

L100 = wire leads, no connector

L100A = wire leads with Molex housing 51021-0200

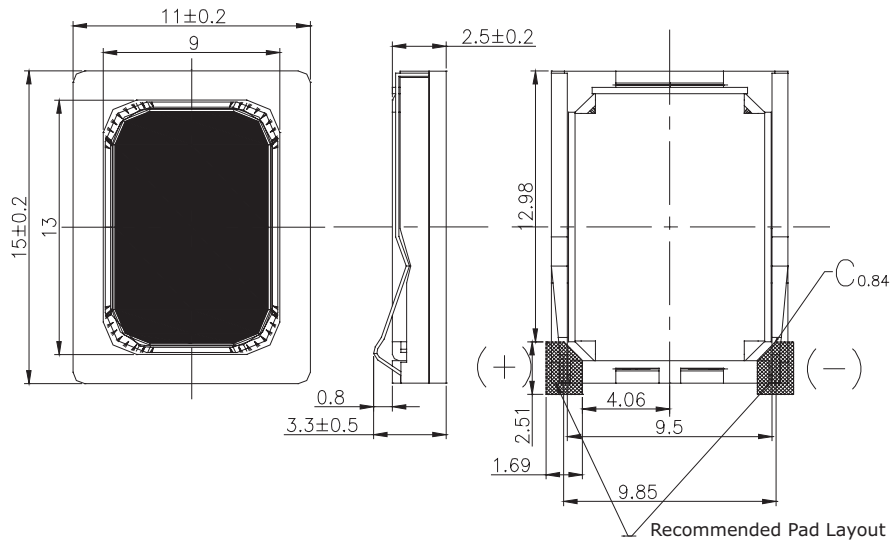
L100B = wire leads with JST housing SHR-02V-S-B

## MECHANICAL DRAWINGS

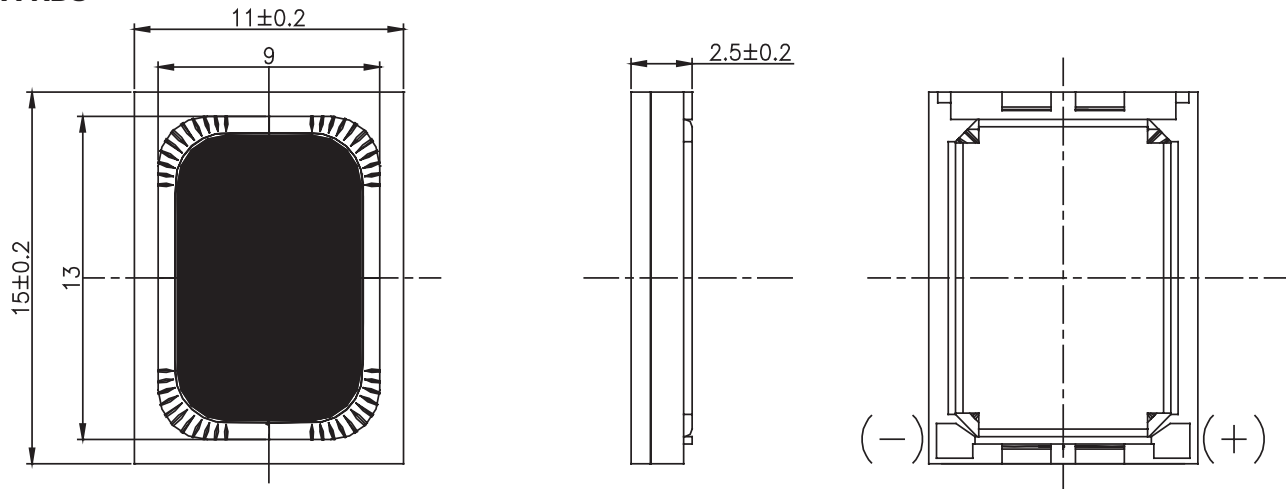
units: mm

tolerance:  $\pm 0.2$  mm

### SPRING CONTACTS



### SOLDER PADS

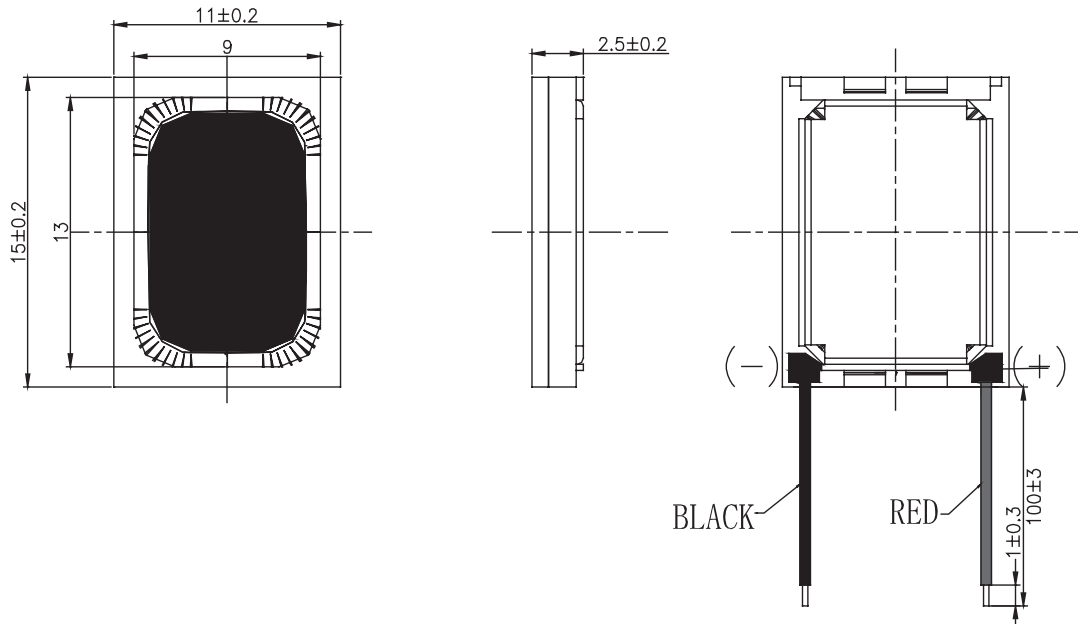


## MECHANICAL DRAWINGS (CONTINUED)

units: mm  
tolerance:  $\pm 0.2$  mm

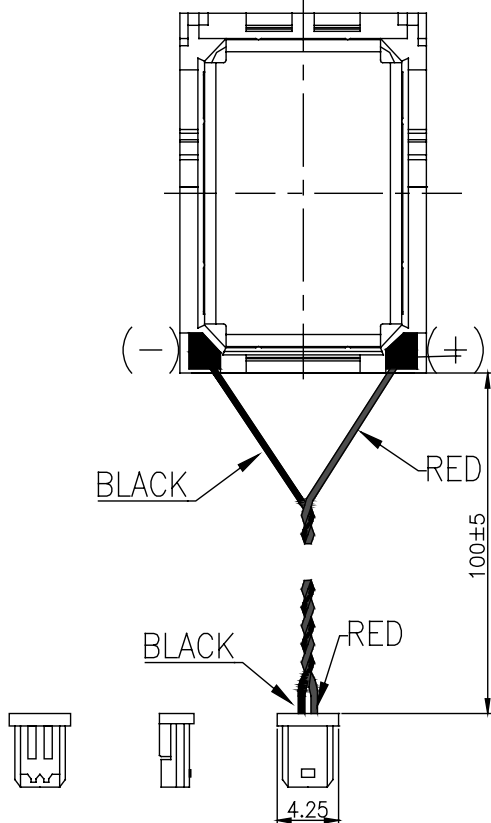
### WIRE LEADS, NO CONNECTOR

wire: UL 1571 32 AWG



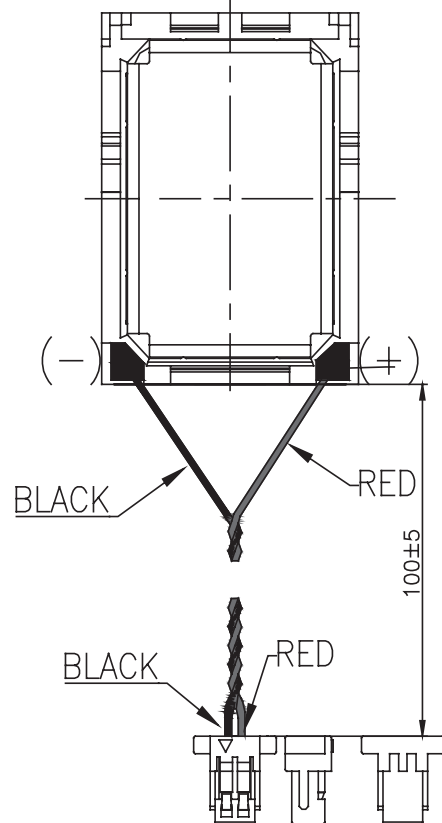
### WIRE LEADS WITH MOLEX CONNECTOR

wire: UL 1571 30 AWG  
connector: Molex 51021-0200  
mating connector: Molex 53261-0271



### WIRE LEADS WITH JST CONNECTOR

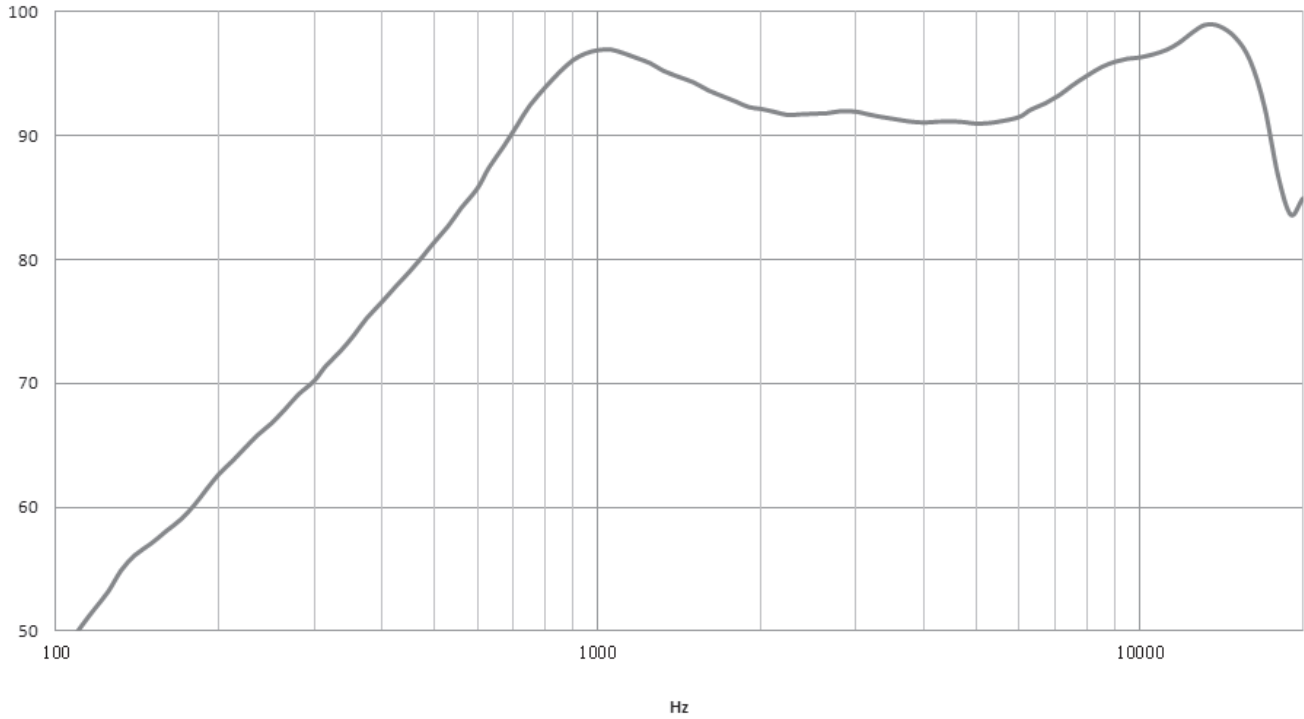
wire: UL 1571 30 AWG  
connector: JST SHR-02V-S-B  
mating connector: JST BM02B-SRSS-TB



## RESPONSE CURVES

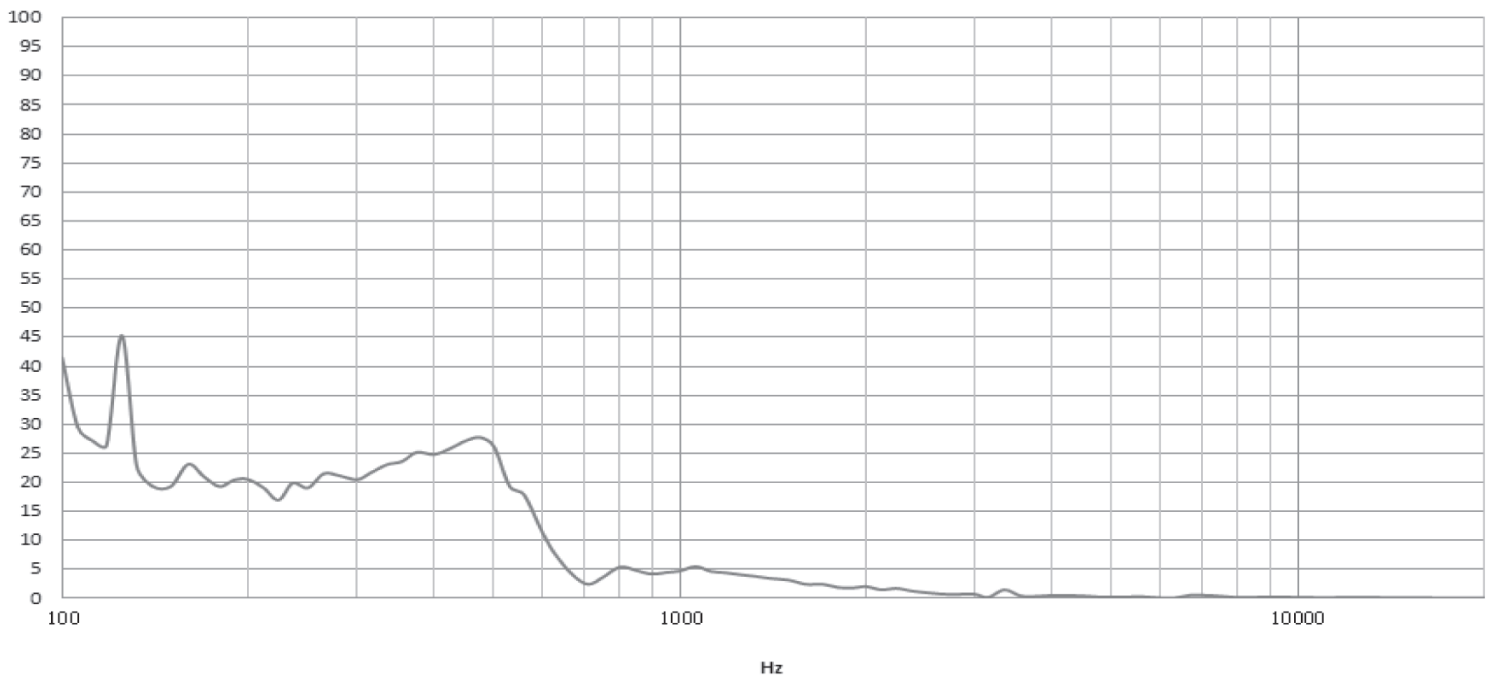
### Frequency Response Curve

Test Conditions: 2.05 Vrms / 10 cm in 1 cc box



### Total Harmonic Distortion Curve

Test Conditions: 2.05 Vrms / 10 cm in 1 cc box



## PACKAGING

units: mm

Tray Size: 290 x 215 mm  
 Tray QTY: 100 pcs per tray  
 Carton Size: 470 x 300 x 310 mm  
 Carton QTY: 5,000 pcs per carton

