

MODEL: CMS-160903-16SP | **DESCRIPTION:** SPEAKER**FEATURES**

- 0.94 W
- miniature
- mylar cone
- solder pad

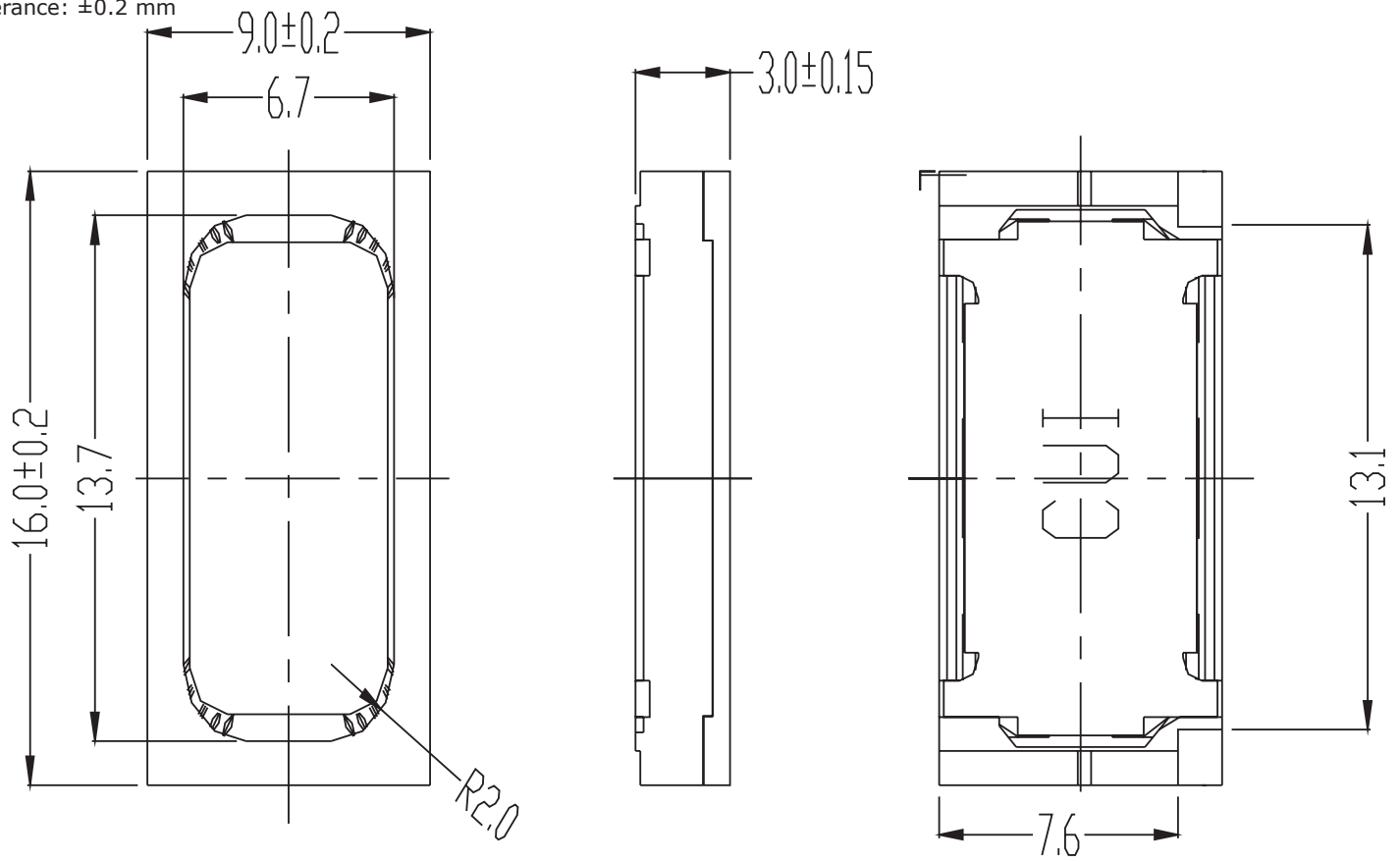
**SPECIFICATIONS**

parameter	conditions/description	min	typ	max	units
input power	max power: as per IEC-268-5, in 1 cc box		0.94	1.2	W
impedance	at 2.0 kHz, 2.37 Vrms	4.8	6	7.2	Ω
resonant frequency (Fo)	at 2.37 Vrms, 10 cm in 1 cc box	680	850	1,020	Hz
frequency response		500		10,000	Hz
sound pressure level	at 0.94 W, 10 cm, avg at 2.0 kHz in 1 cc box	88	91	94	dB
distortion	at 1.0 kHz, rated power, 10 cm in 1 cc box			10	%
buzz, rattle, etc.	must be normal at sine wave, 0.2~2 kHz, 1 cc box			2.37	V
polarity	cone moves forward w/ positive dc current to "+" terminal				
dimensions	16 x 9 x 3				mm
magnet	Nd-Fe-B				
frame material	PPA				
cone material	PEEK				
terminal	solder pads				
weight			1.4		g
operating temperature		-20		60	$^{\circ}\text{C}$
storage temperature		-40		70	$^{\circ}\text{C}$
hand soldering	for maximum 3 seconds			380	$^{\circ}\text{C}$
RoHS	yes				

Notes: 1. All specifications measured at 15~35 $^{\circ}\text{C}$, humidity at 25~75%, under 86~106 kPa pressure, unless otherwise noted.

MECHANICAL DRAWING

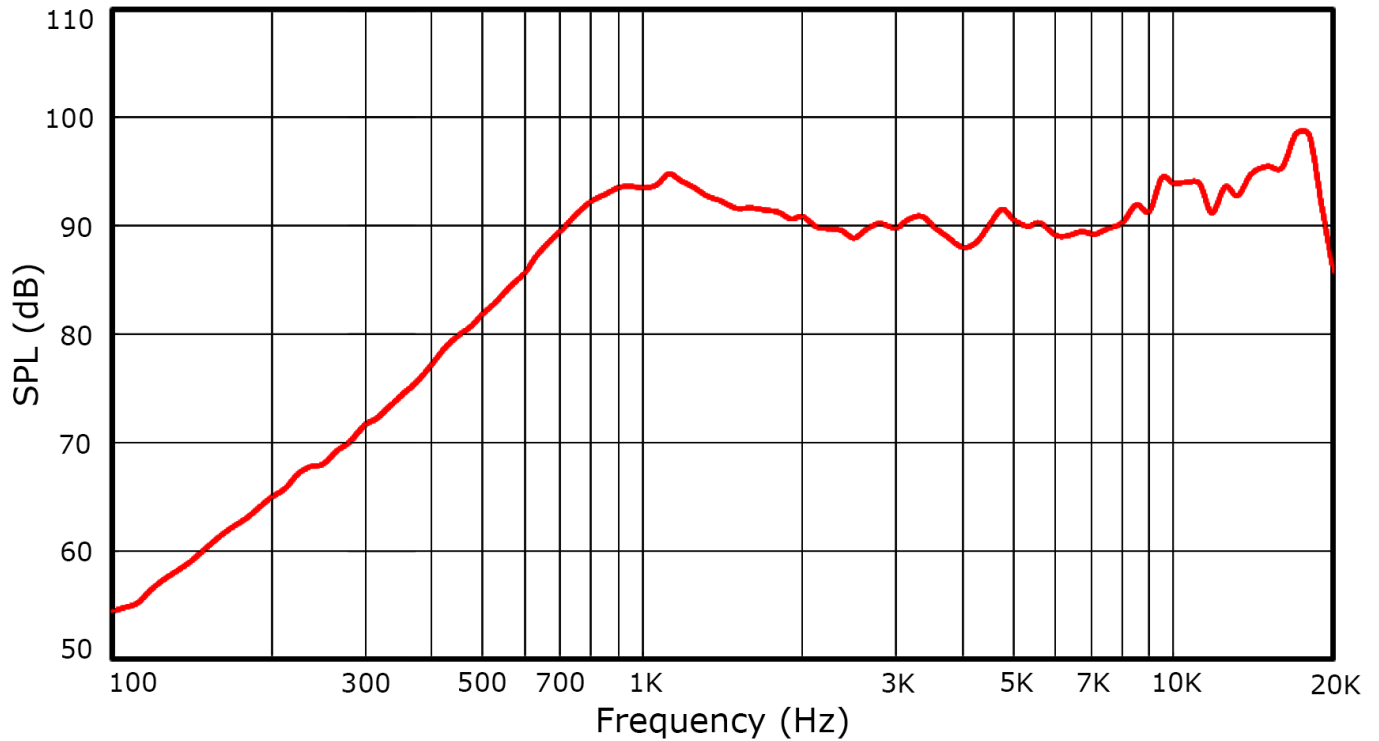
units: mm
tolerance: ± 0.2 mm



RESPONSE CURVES

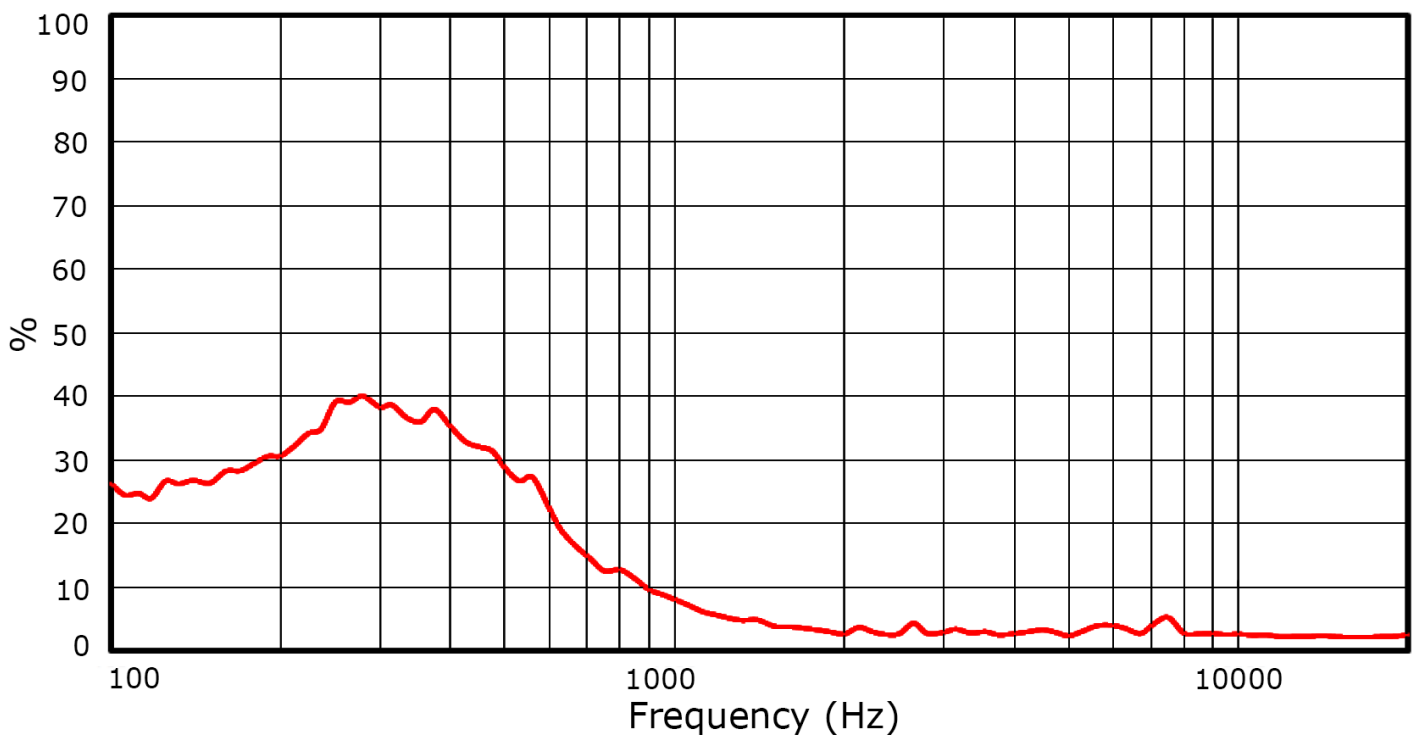
Frequency Response Curve

Test Conditions: 0.94 W / 10 cm in 1 cc box



Total Harmonic Distortion Curve

Test Conditions: 0.94 W / 10 cm in 1 cc box



PACKAGING

units: mm

Tray QTY: 100 pcs per tray
 Carton Size: 300 x 470 x 310 mm
 Carton QTY: 5,000 pcs per carton

