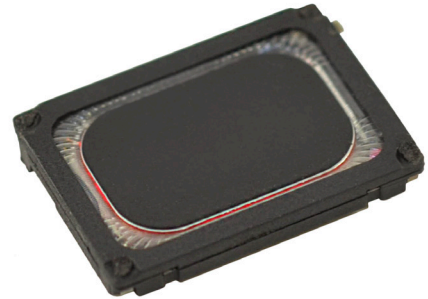


MODEL: CMS-18138A-SP | **DESCRIPTION:** SPEAKER**FEATURES**

- micro-speaker
- small footprint
- low profile
- spring leads

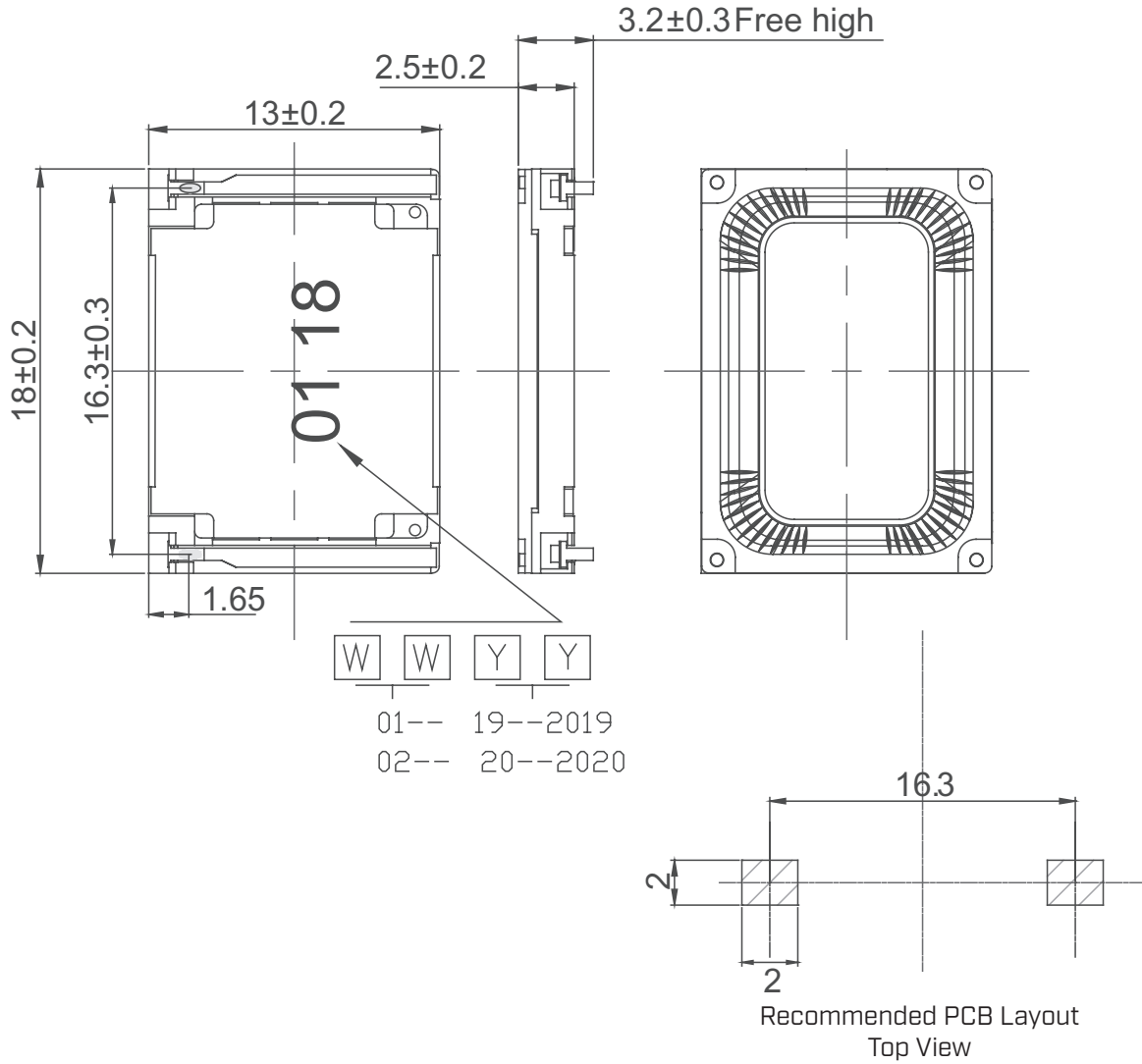
**SPECIFICATIONS**

parameter	conditions/description	min	typ	max	units
input power	maximum power: IEC-60268-5, filter 60s on/120s off, 10 cycles at room temp in 1 cc closed box		0.8	1.0	W
impedance	at 2.0 kHz, 1.0 V	6.8	8	9.2	Ω
resonant frequency (Fo)	at 1.0 V at 1.0 V in 1 cc closed box	400 850	500 1,000	600 1,150	Hz Hz
frequency response	output SPL ± 10 dB	Fo		10,000	Hz
sound pressure level	at 0.8 W, 0.1 m, at 2.0 kHz in 1 cc closed box	89	92	95	dB
distortion	at 1.0 kHz, 0.8 W			10	%
buzz, rattle, etc.	must be normal at sine wave between Fo ~ 20 kHz in 1 cc closed box		2.53		V
polarity	cone will move forward with positive dc current to "+" terminal				
dimensions	18 x 13 x 2.5				mm
magnet	Nd-Fe-B				
material	PPA				
cone material	mylar				
terminal	spring contact				
weight			1.8		g
operating temperature		-20		75	$^{\circ}\text{C}$
storage temperature		-30		85	$^{\circ}\text{C}$
RoHS	yes				

Notes: 1. All specifications measured at 5-35 $^{\circ}\text{C}$, humidity at 45-85%, under 86-106 kPa pressure, unless otherwise noted.

MECHANICAL DRAWING

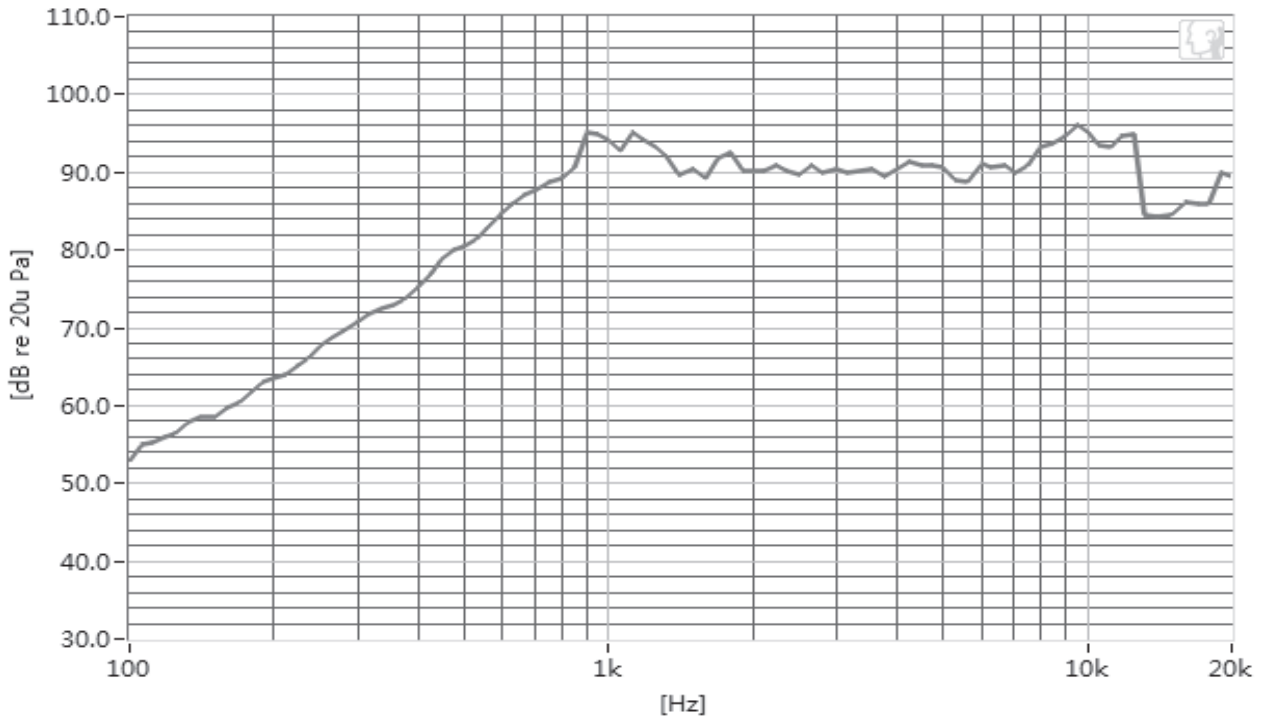
units: mm
tolerance: ± 0.2 mm



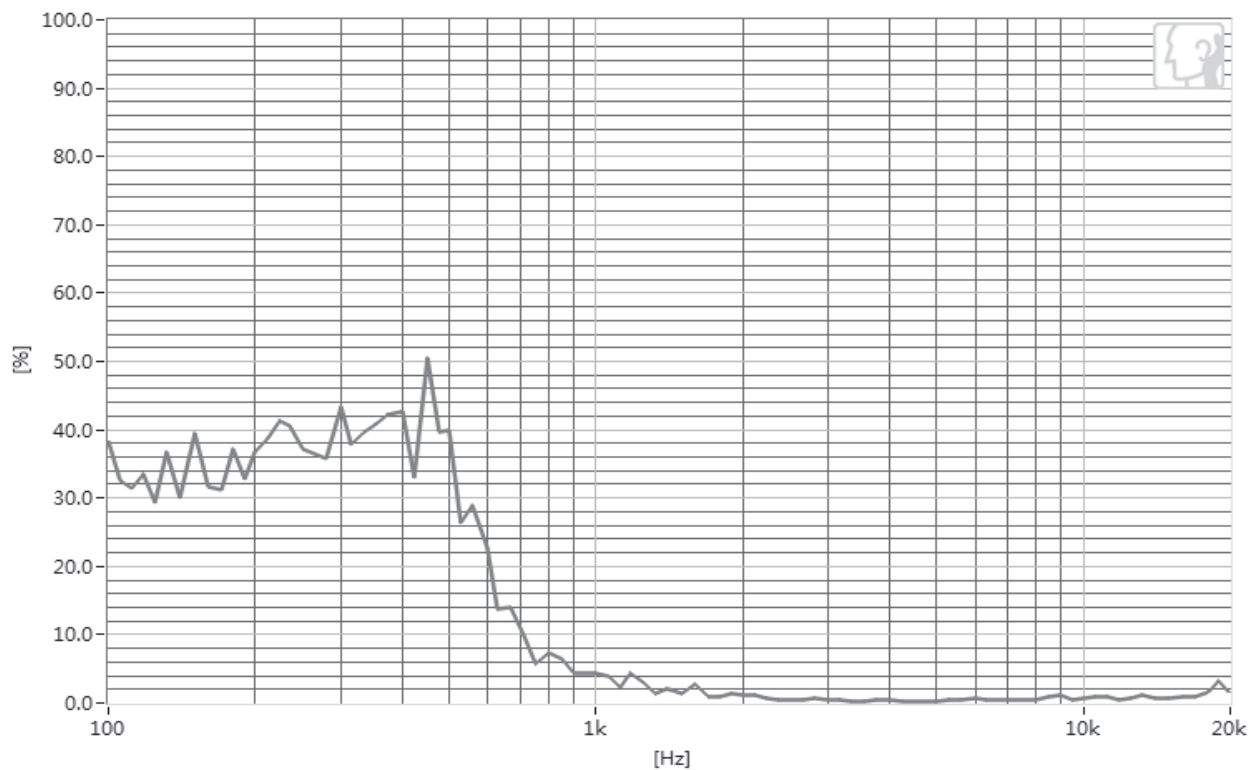
Note: 1. Maximum compression force between front frame and back frame & yoke is 5 N.

RESPONSE CURVES

Frequency Response Curve



Total Harmonic Distortion Curve

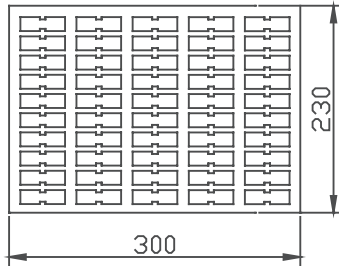


PACKAGING

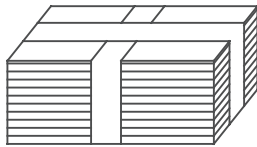
units: mm

Tray Size: 300 x 230 x 11.5 mm
 Carton Size: 590 x 350 x 290 mm
 Tray QTY: 100 pcs per tray
 Carton QTY: 5,000 pcs per carton

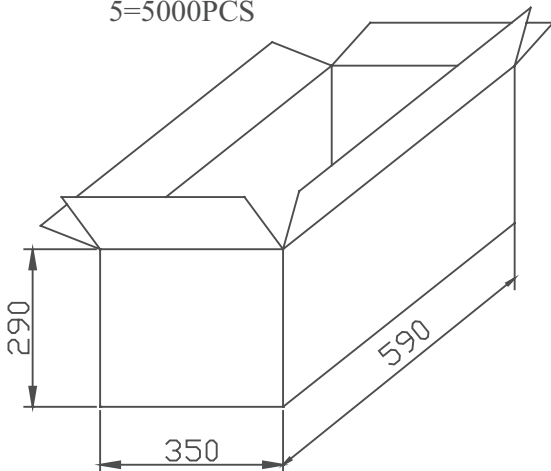
100PCS



100 ×
10 = 1000PCS



1000 ×
5 = 5000PCS



Lot No.	XXXXXXXXXXXX
Part No.	CUI Inv#. CUI Part#.
Quantity.	XXXX Pcs
Date:	
	DD MM YY
	MADE IN CHINA

RoHs Compliant