

MODEL: CMS-1852-24SP | **DESCRIPTION:** SPEAKER**FEATURES**

- 4 ohm
- rated 2.0 W
- solder pads

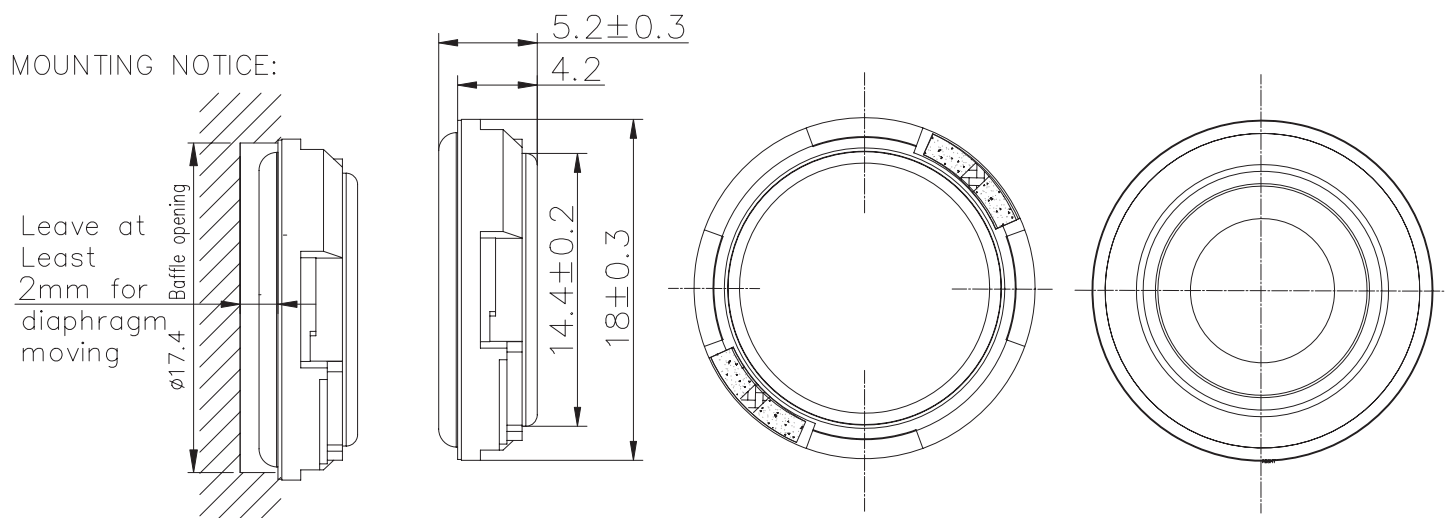
**SPECIFICATIONS**

| parameter | conditions/description | min | typ | max | units |
|-------------------------|---|------|------|--------|--------------------|
| input power | | | 2 | 2.5 | W |
| impedance | | 3.4 | 4 | 4.6 | Ω |
| resonant frequency (Fo) | | 400 | 500 | 600 | Hz |
| frequency response | | 300 | | 20,000 | Hz |
| sound pressure level | at 2.0 W, 50 cm, 670 Hz~10 KHz, for calculation of mean SPL (1/12 octave) | 77.3 | 80.3 | 83.3 | dB |
| distortion | at 2.0 W, 50 cm, 560 Hz ~ 20 kHz (with barrier) | | | 10 | % |
| buzz, rattle, etc. | must be normal at sine wave | | | 2.83 | V |
| polarity | cone moves forward w/ positive dc current to "+" terminal | | | | |
| dimensions | $\varnothing 18 \times 5.2$ | | | | mm |
| magnet | Nd-Fe-B | | | | |
| frame material | PBT + 15% GF | | | | |
| cone material | foam + paper | | | | |
| terminal | solder pads | | | | |
| weight | | 3.99 | 4.2 | 4.41 | g |
| operating temperature | | -20 | | 55 | $^{\circ}\text{C}$ |
| storage temperature | | -25 | | 60 | $^{\circ}\text{C}$ |
| hand soldering | for maximum 2 seconds | 360 | | 380 | $^{\circ}\text{C}$ |
| RoHS | yes | | | | |

Notes: 1. All specifications measured at 15~35 $^{\circ}\text{C}$, humidity at 25~75%, unless otherwise noted.

MECHANICAL DRAWING

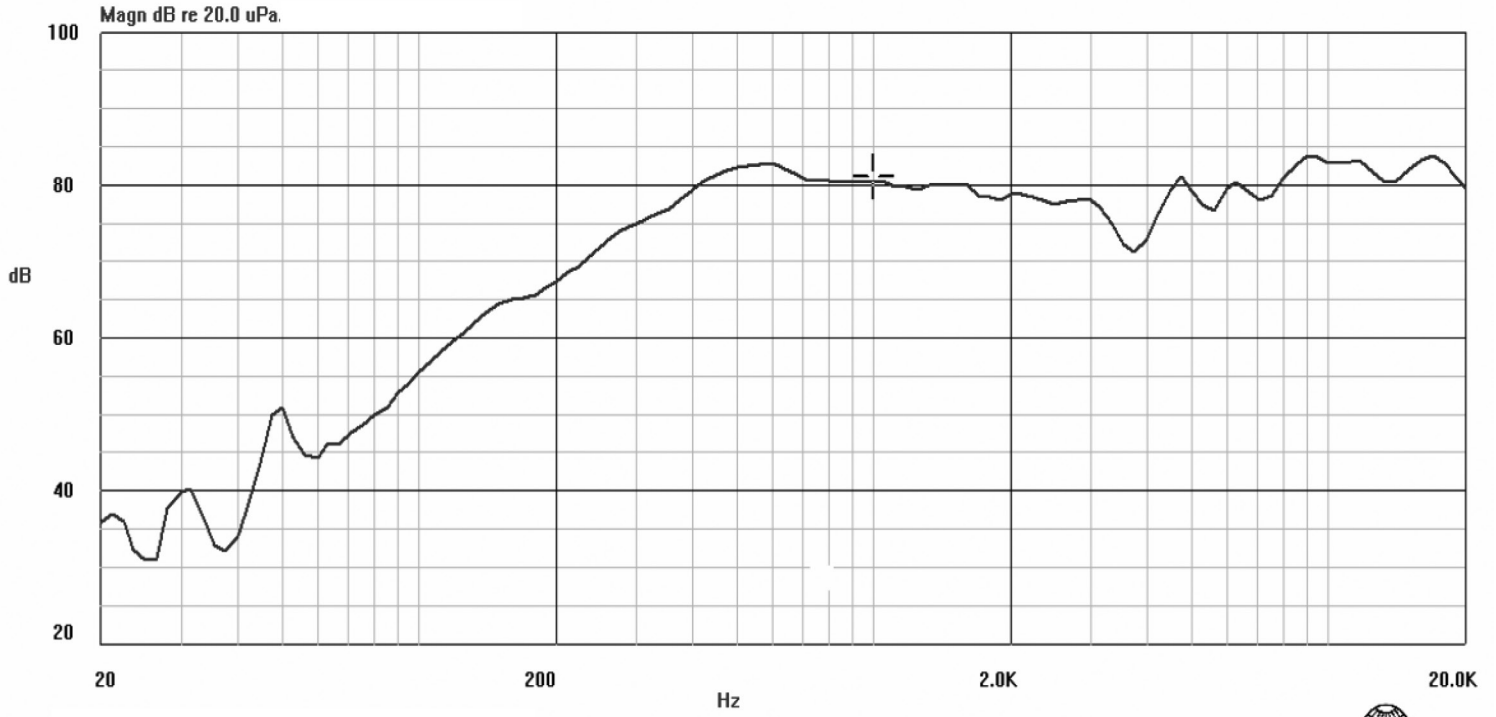
units: mm

tolerance: ± 0.2 mm

RESPONSE CURVES

Frequency Response Curve

Test Conditions: 2.83 V / 50 cm



Total Harmonic Distortion Curve

Test Conditions: 2.83 V / 50 cm

