

**MODEL:** CMS-2006-154SP | **DESCRIPTION:** SPEAKER

**FEATURES**

- 4 ohm
- rated 2.0 W
- solder pads


**SPECIFICATIONS**

parameter	conditions/description	min	typ	max	units
input power	sine wave		2.0	2.5	W
	square wave		1.5	2.0	W
impedance		3.4	4	4.6	$\Omega$
resonant frequency (Fo)		400	500	600	Hz
frequency response		250		20,000	Hz
sound pressure level	at 1.0 W, 50 cm, avg 0.8, 1.0, 1.2, 1.5 kHz	74	77	80	dB
distortion	at 1.0 kHz, 1.0 W, 50 cm on baffle			5	%
buzz, rattle, etc.	must be normal at sine wave, frequency range			2.83	V
polarity	cone moves forward w/ positive dc current to "+" terminal				
dimensions	$\varnothing 20 \times 6.0$				mm
magnet	Nd-Fe-B				
frame material	PBT + 15% GF				
cone material	PU + PEI				
terminal	solder pads				
weight			3.2		g
operating temperature		-20		55	$^{\circ}\text{C}$
storage temperature		-25		60	$^{\circ}\text{C}$
hand soldering	for maximum 2 seconds	360		380	$^{\circ}\text{C}$
RoHS	yes				

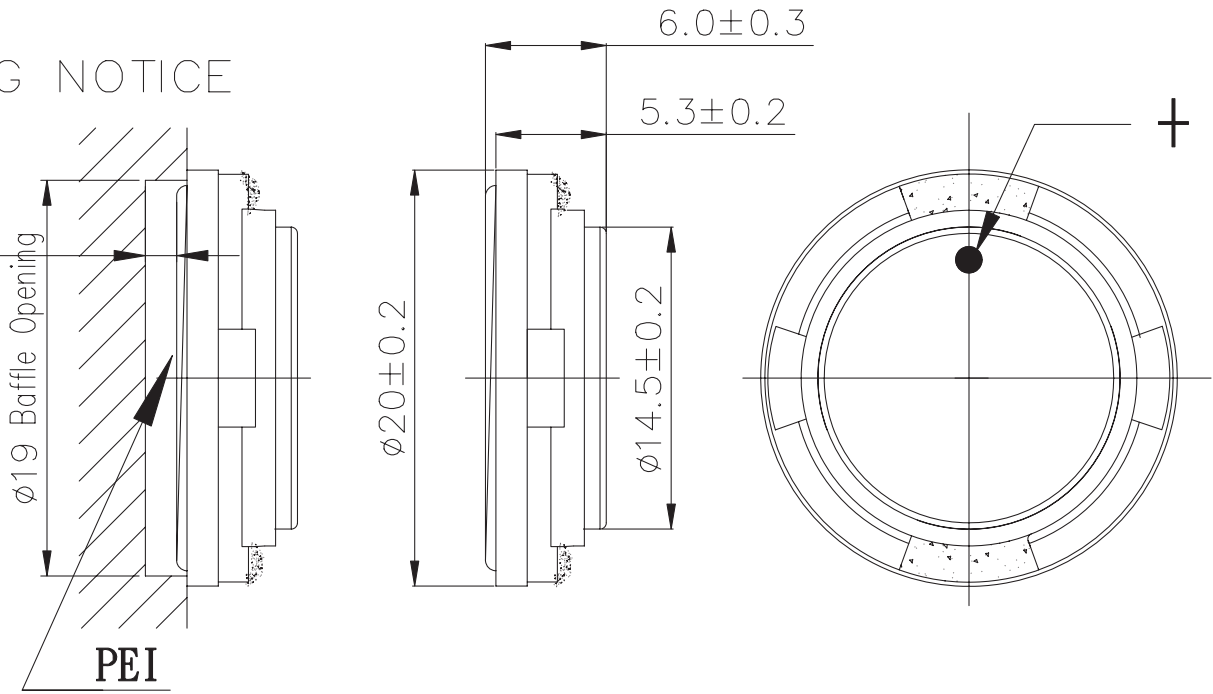
Notes: 1. All specifications measured at 15-35 $^{\circ}\text{C}$ , humidity at 25-75%, unless otherwise noted.

## MECHANICAL DRAWING

units: mm  
tolerance:  $\pm 0.2$  mm

### MOUNTING NOTICE

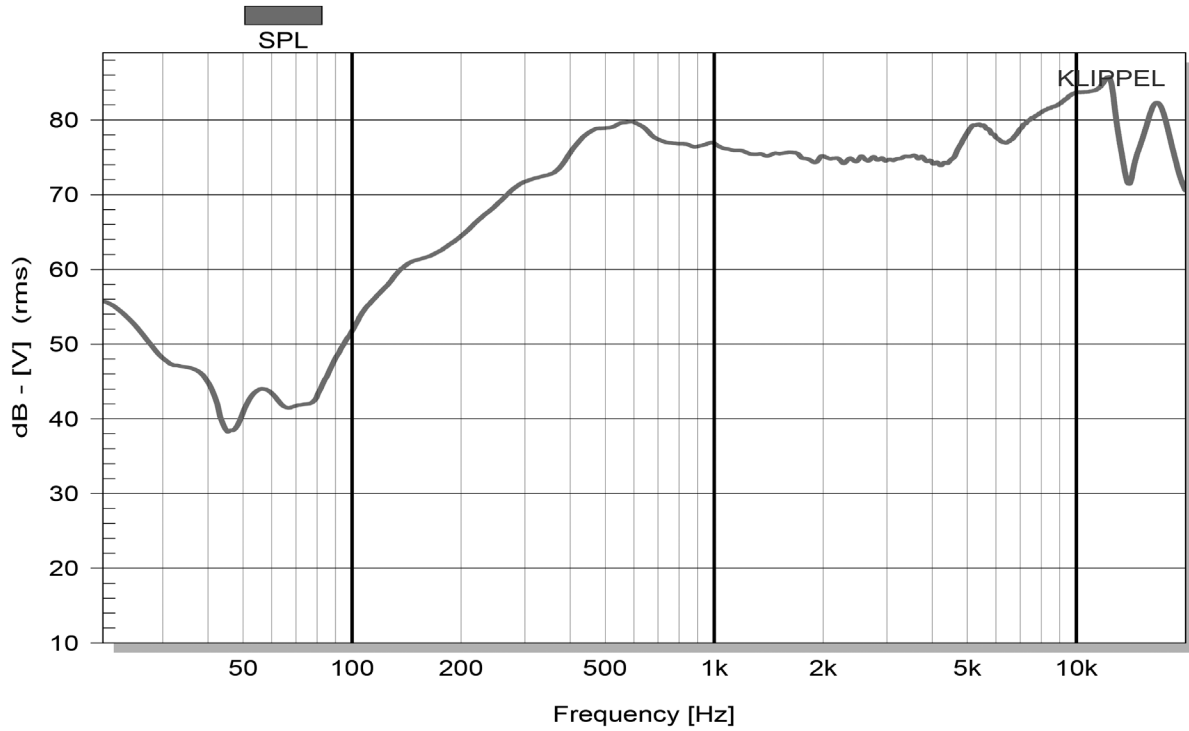
AT LEAST  
1.5mm  
FOR  
DIAPHRAGM  
MOVING



## RESPONSE CURVES

### Frequency Response Curve

Test Conditions: 2.0 V / 50 cm



### Total Harmonic Distortion Curve

Test Conditions: 2.0 V / 50 cm

