

**MODEL:** CMS-20103-078SP | **DESCRIPTION:** SPEAKER**FEATURES**

- 8 ohm rated impedance
- 0.7 W rated power
- 500 Hz resonance frequency

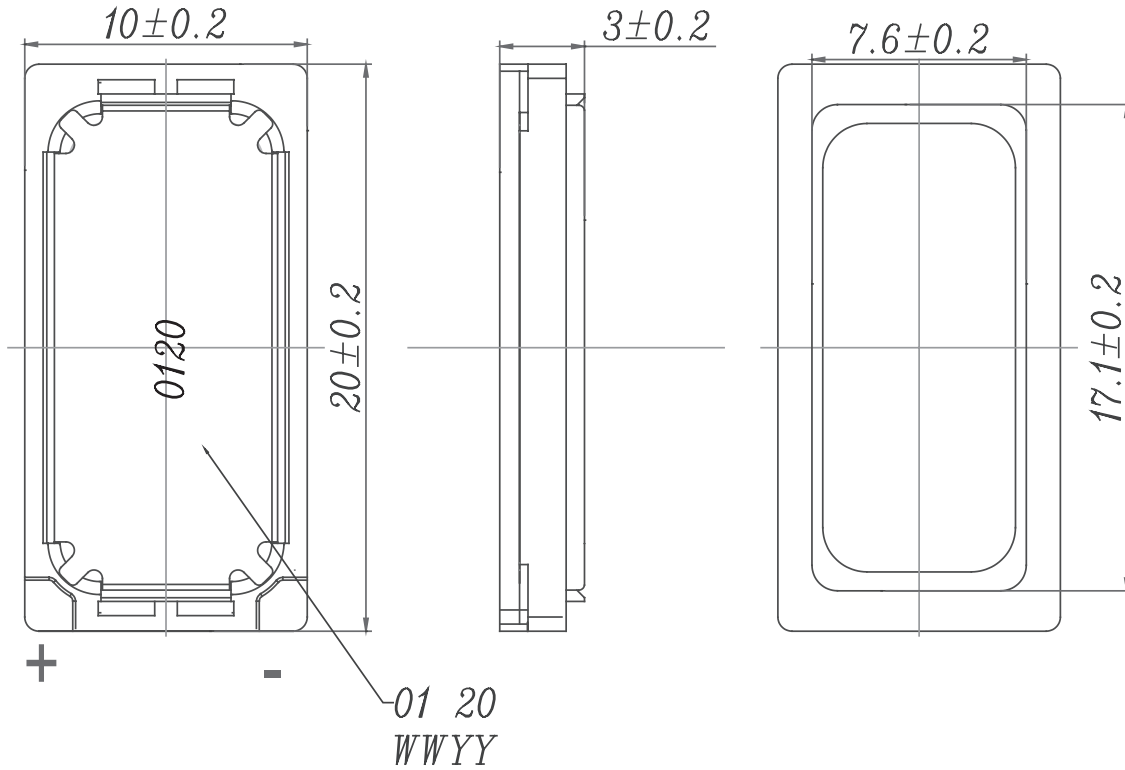
**SPECIFICATIONS**

parameter	conditions/description	min	typ	max	units
input power	max power: IEC-60268-5, filter 60 seconds on, 120 seconds off, 10 cycles (room temp)		0.7	1.0	W
impedance	at 2.0 kHz	6.8	8	9.2	$\Omega$
resonant frequency (Fo)	at 1.0 V, in free air	440	550	660	Hz
frequency response		Fo		20,000	Hz
sound pressure level	at 0.7 W, 10 cm, avg at 1.0 kHz in 1 cc closed box	87	90	93	dB
distortion	at 1.0 kHz, rated power, 0.1 m, in 1 cc closed box			10	%
buzz, rattle, etc.	must be normal at sine wave, Fo~10 kHz, in 1 cc closed box			2.36	V
polarity	cone moves forward w/ positive dc current to "+" terminal				
dimensions	20.0 x 10.0 x 3.0				mm
magnet	Nd-Fe-B				
frame material	PPA				
cone material	PEEK				
terminal	solder pads				
weight			1.7		g
operating temperature		-30		70	$^{\circ}\text{C}$
storage temperature		-40		80	$^{\circ}\text{C}$
hand soldering	for maximum 3 seconds	370	380	390	$^{\circ}\text{C}$
RoHS	yes				

Notes: 1. All specifications measured at 5~35 $^{\circ}\text{C}$ , humidity at 45~85%, under 86~106 kPa pressure, unless otherwise noted.

## MECHANICAL DRAWING

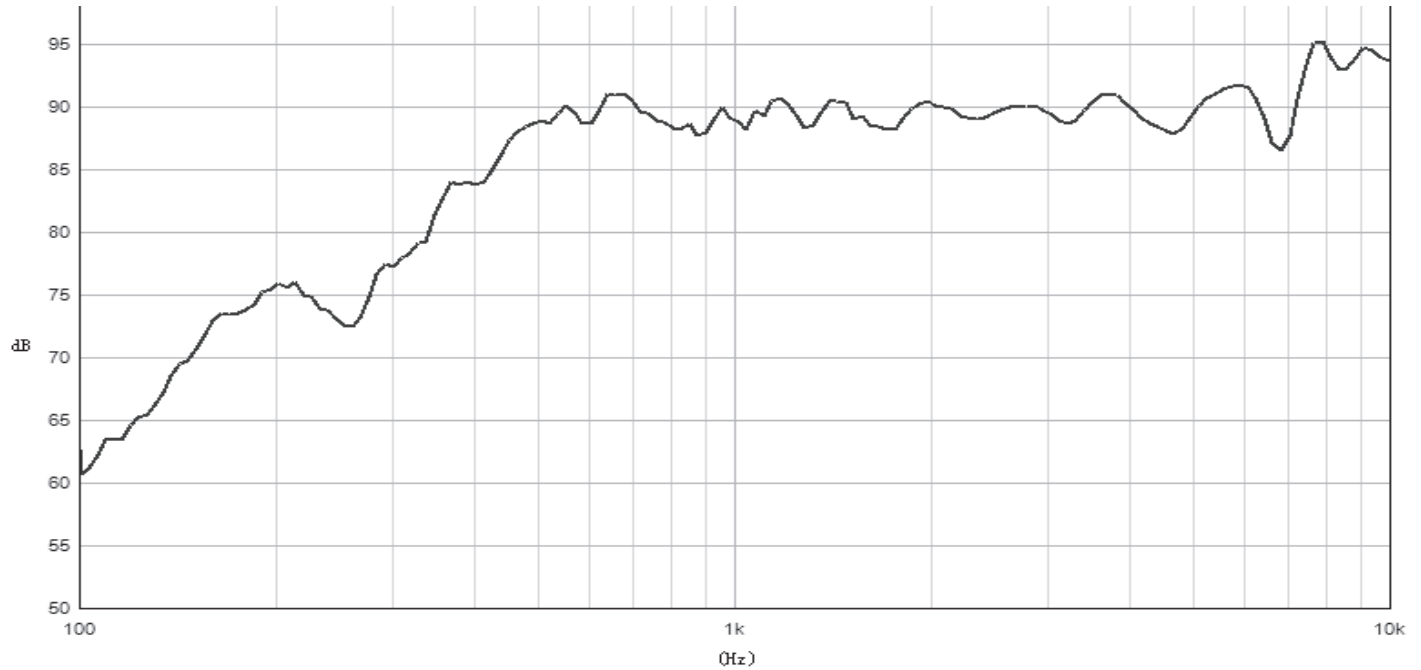
units: mm  
tolerance:  $\pm 0.5$  mm



## RESPONSE CURVES

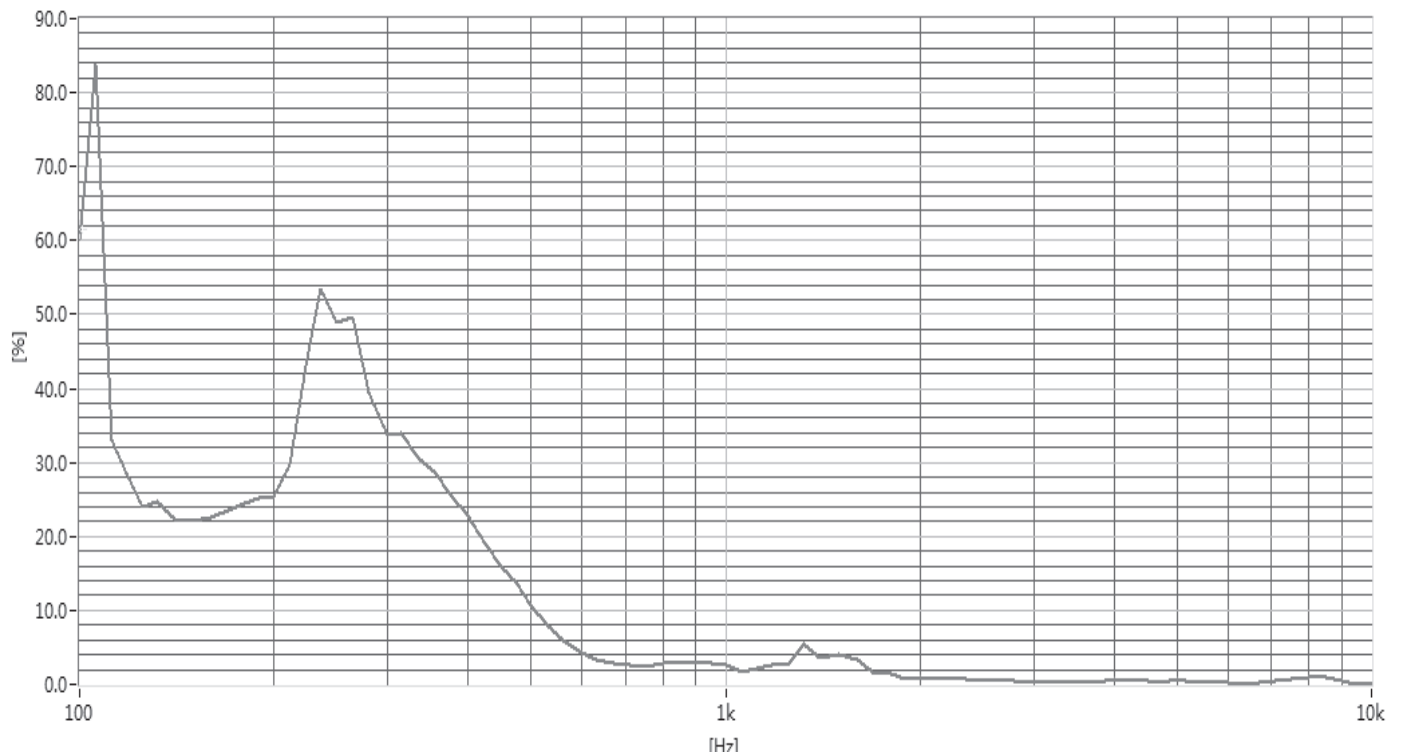
### Frequency Response Curve

Test Conditions: 0.7 W / 10 cm in 1 cc closed box



### Total Harmonic Distortion Curve

Test Conditions: 0.7 W / 10 cm in 1 cc closed box



## PACKAGING

units: mm

Tray Size: 290 x 220 mm  
 Tray QTY: 100 pcs per tray  
 Carton Size: 310 x 240 x 270 mm  
 Carton QTY: 2,500 pcs per carton

